

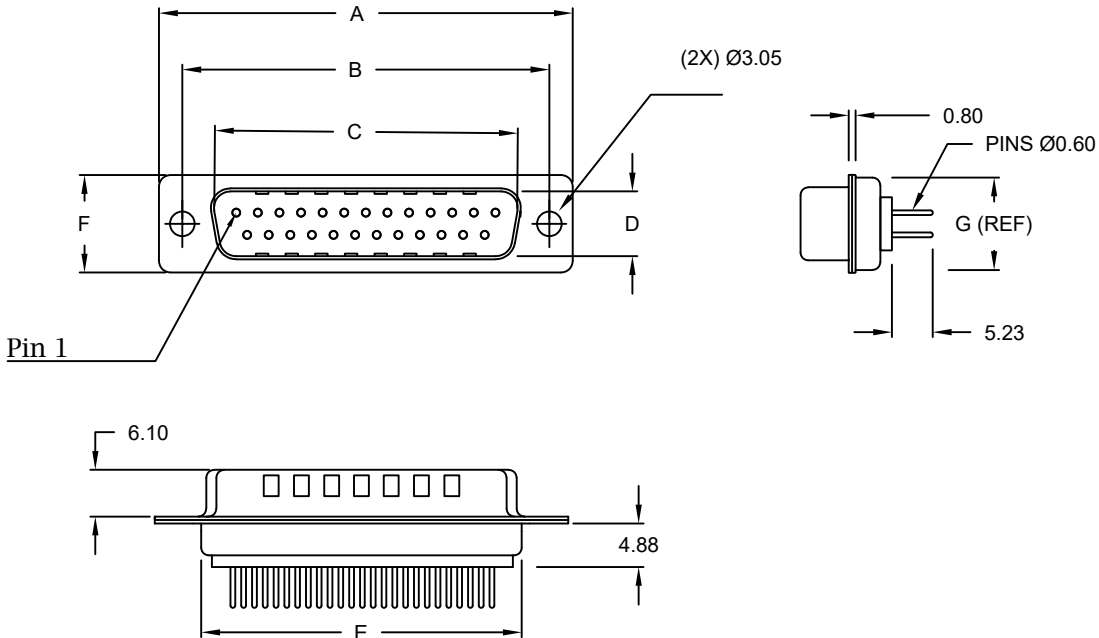
DIMENSIONS(mm)							
SIZE	A±.36	B±.10	C±.15	D±.15	E±.38	F±.25	G (REF)
9	30.80	24.99	17.00	8.40	19.20	12.60	10.75
15	39.15	33.32	25.30	8.40	27.70	12.60	10.75
25	53.04	47.04	39.00	8.40	41.10	12.60	10.75
37	69.32	63.50	55.40	8.40	57.30	12.60	10.75
50	66.93	61.11	52.80	11.10	55.10	15.20	13.30

MATERIAL:

SHELL: STEEL, NICKEL PLATED
 INSULATOR: PA6T, UL94 V-0
 PROCESS TEMP.: 260°C
 CONTACT: BRASS (FLOATING CONTACTS)

ELECTRICAL:

CURRENT RATING: 5 AMPS
 CONTACT RESISTANCE: 15 mOhms Max.
 INSULATION RESISTANCE: 1,000 MOhms Min.
 VOLTAGE: 500VAC FOR 1 MINUTE
 TEMPERATURE: -50° C TO 100° C



172-YYY-113RYY1

- SERIES _____
- POSITIONS _____
- 009 _____
- 015 _____
- 025 _____
- 037 _____
- 050 _____
- GENDER _____
- 1 = MALE
- TERMINATION _____
- 1 = DIP SOLDER
- SHELL PLATING _____
- 3 = NICKEL (GROUND INDENTS)
- HARDWARE OPTIONS _____
- 00 = NO HARDWARE
- 01 = .098" NUT (PCB SIDE)
- 02 = .236" NUT (PCB SIDE)
- 03 = .236" NUT (MATING SIDE)
- 05 = .237" 4-40 BOARD LOCK
- 90 = .237" 4-40 BOARD LOCK
- FOR 0.093" BOARD MAX.
- 91 = .237" 4-40 SPACER/ BOARD LOCK
- 92 = .237" 4-40 SPACER/ BOARD LOCK
- FOR 0.093" BOARD MAX.
- PLATING OPTIONS _____
- 1 = GOLD FLASH
- 2 = 30MICRO-INCH GOLD

RoHS COMPLIANT

UNITS = mm

DO NOT SCALE FROM DRAWING

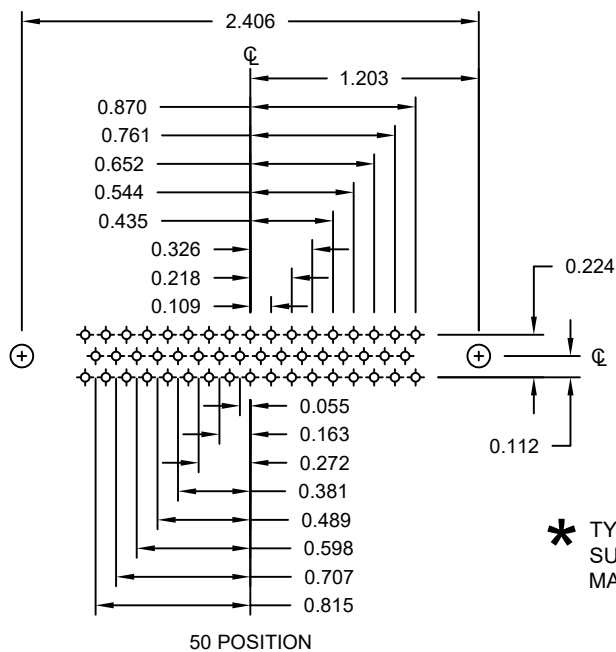
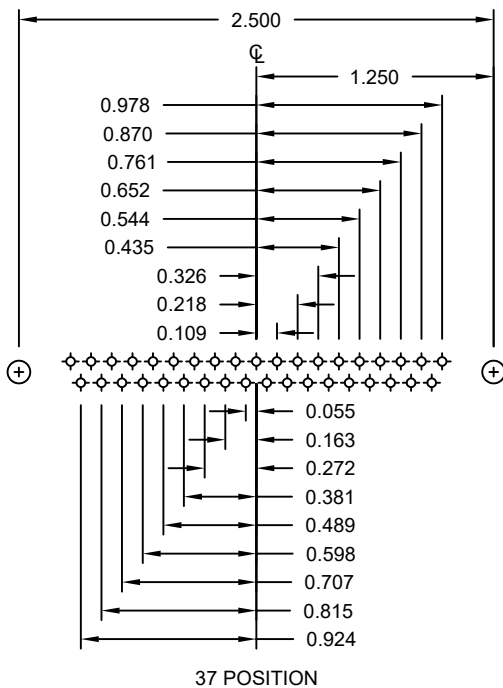
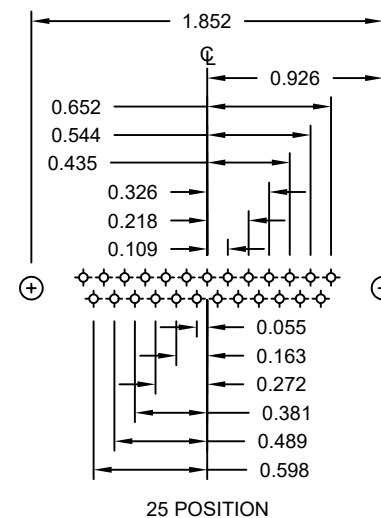
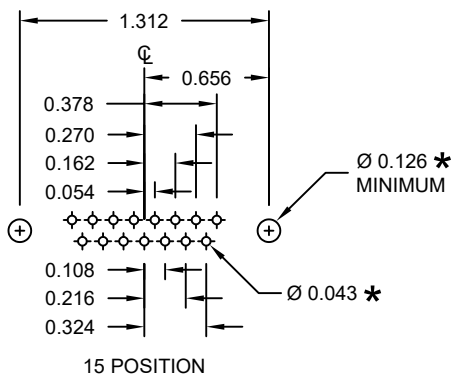
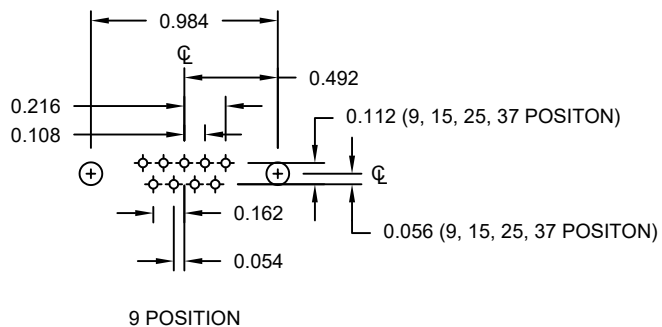


THESE DRAWINGS AND SPECIFICATIONS ARE THE PROPERTY OF NorComp AND SHALL NOT BE REPRODUCED, COPIED OR USED AS THE BASIS FOR THE MANUFACTURE OR SALE OF APPARATUS WITHOUT WRITTEN PERMISSION.

DRAWN: P. JENKINS
 DATE: 09/12/2005

NorComp

SCALE: NTS	SHEET 1 OF 3	REV 21
DWG NO. 172-YYY-113RYY1		



* TYP.
SUGGESTED SIZE
MAY NOT BE SUITABLE FOR ALL APPLICATIONS

RoHS COMPLIANT

UNITS = inch

DO NOT SCALE FROM DRAWING



THESE DRAWINGS AND SPECIFICATIONS ARE THE PROPERTY OF NorComp AND SHALL NOT BE REPRODUCED, COPIED OR USED AS THE BASIS FOR THE MANUFACTURE OR SALE OF APPARATUS WITHOUT WRITTEN PERMISSION.

DRAWN:
P. JENKINS

DATE:
09/12/2005

NorComp

SCALE:
NTS

SHEET OF
2 3

REV
21

DWG NO.

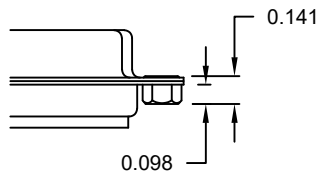
172-YYY-113RYY1

TOLERANCE:
 ALL DIMENSIONS ARE ± 0.010
 UNLESS OTHERWISE
 SPECIFIED

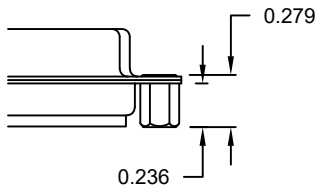
ALL CLINCH-NUTS ARE 4-40 INTERNAL THREADS

****NOTE: 90 & 92 OPTION FOR 0.093" MAX. BOARD THICKNESS**

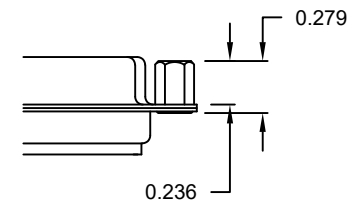
"01" // PCB SIDE



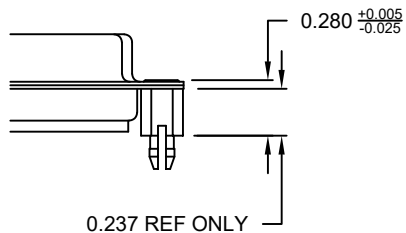
"02" // PCB SIDE



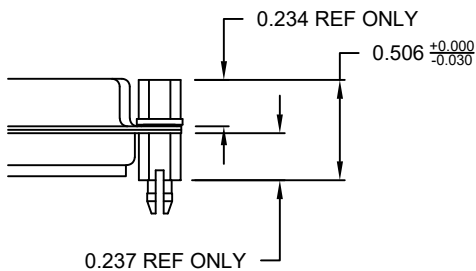
"03" // MATING SIDE



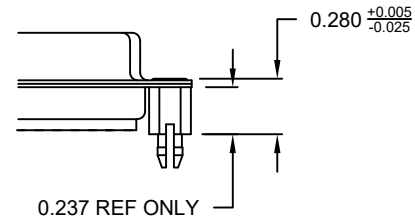
"05" // PCB SIDE



"91" // PCB SIDE

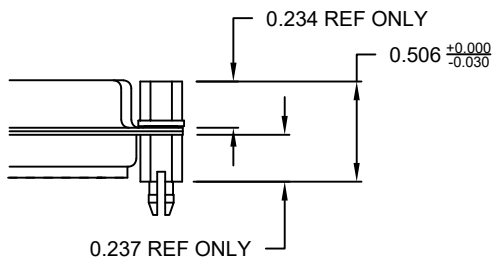


"90" // PCB SIDE **



NOTE: 4-40 FEMALE SCREW LOCK IS REMOVABLE

"92" // PCB SIDE **



RoHS COMPLIANT

UNITS = inch

DO NOT SCALE FROM DRAWING



THESE DRAWINGS AND SPECIFICATIONS ARE THE PROPERTY OF NorComp AND SHALL NOT BE REPRODUCED, COPIED OR USED AS THE BASIS FOR THE MANUFACTURE OR SALE OF APPARATUS WITHOUT WRITTEN PERMISSION.

DRAWN:
 P. JENKINS

DATE:
 09/12/2005

NorComp

SCALE:
 NTS

SHEET 3 OF 3

REV 21

DWG NO.

172-YYY-113RYY1