

MATERIAL NO.	ENGINEERING NO.	FINISHED LENGTH
1300130417	1R5000A20A120	12 IN (0.31 M)
1300130421	1R5000A20F030	3 FT (0.91 M)
1300130423	1R5000A20F060	6 FT (1.83 M)
1300130426	1R5000A20M020	2 M (6 FT 6.74 IN)

**CABLE LENGTH TOLERANCES**

<.3M [1FT]: +19mm-0 [ +.75in-0]

.3 - .9M [1 - 3FT]: +44.5mm-0 [+1.75in-0]

.9 - 1.8M [3 - 6FT]: +55.6mm-0 [+2.19in-0]

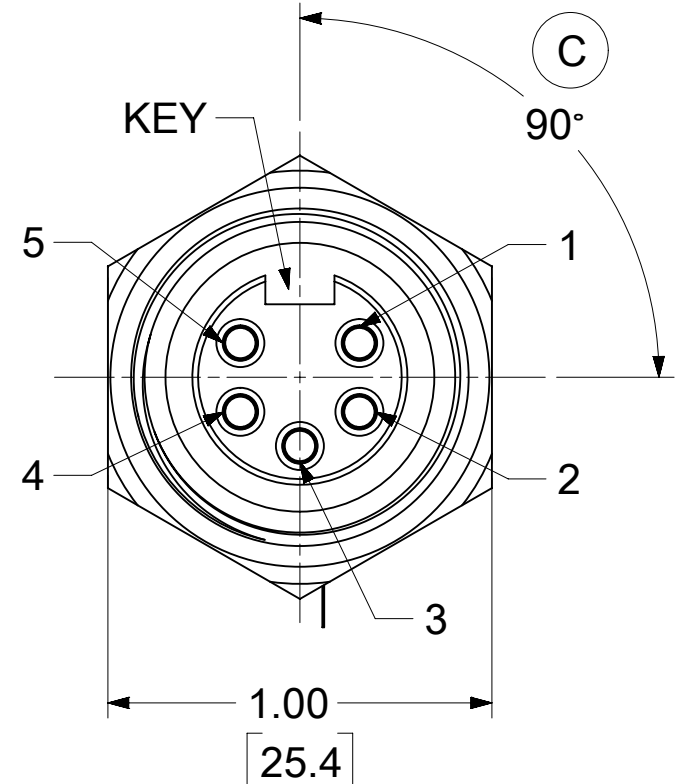
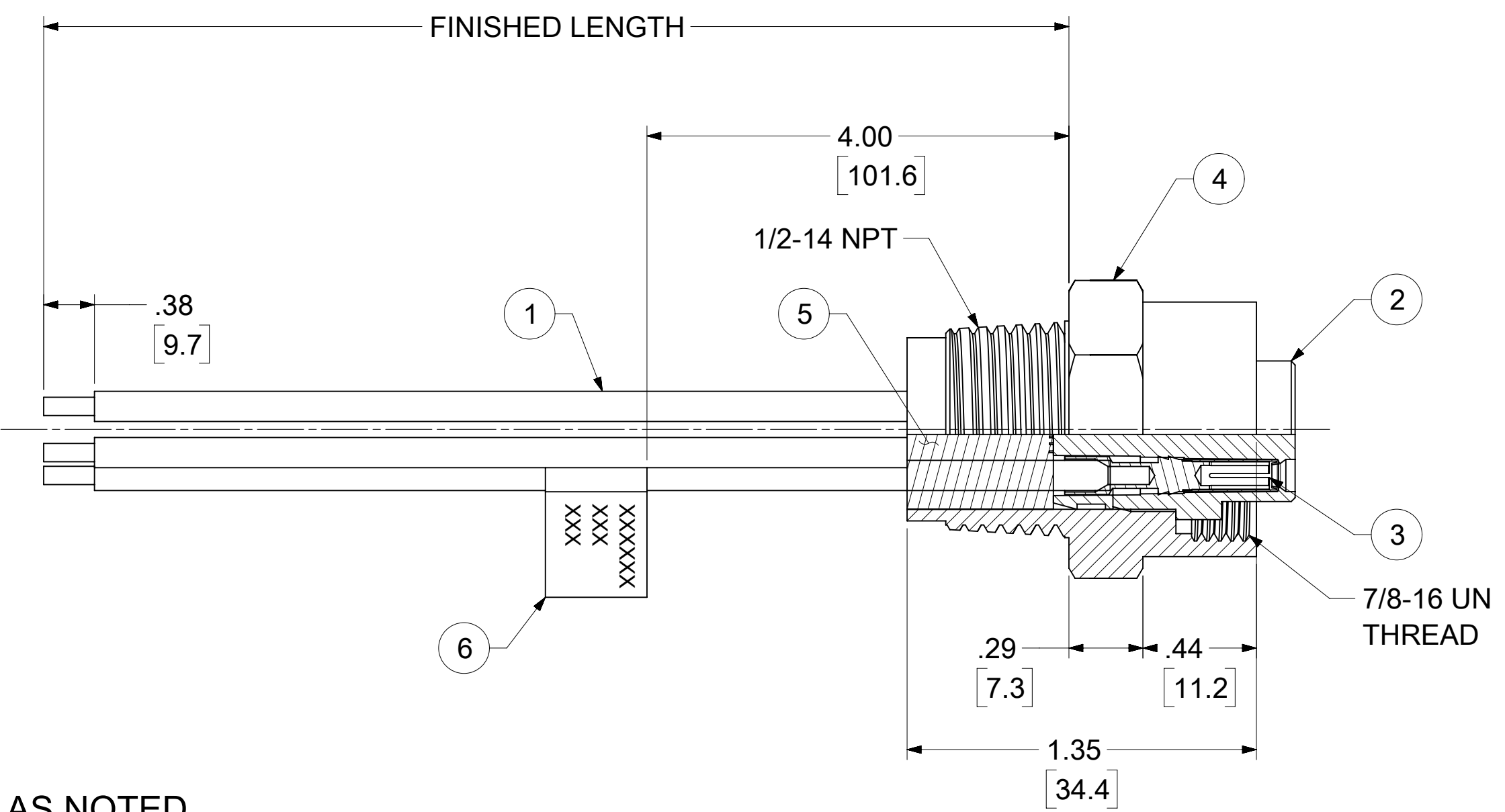
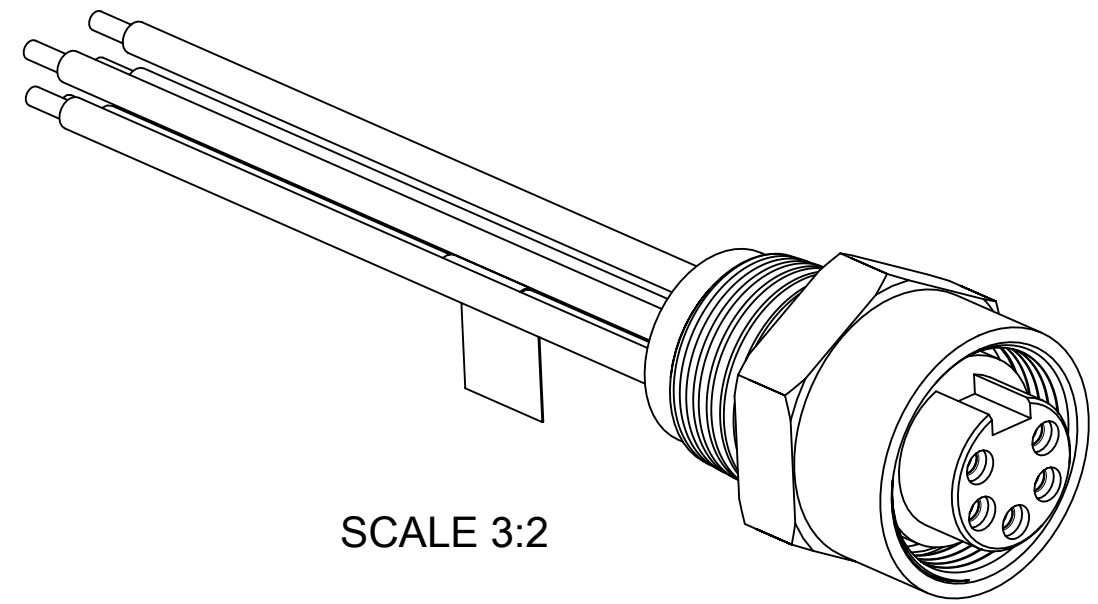
1.8 - 3.7M [6 - 12FT]: +88.9mm-0 [+3.50in-0]

3.7 - 7.3M [12 - 24FT]: +165.1mm-0 [+6.50in-0]

7.3-14.6M [24 - 48FT]: +317.5mm-0 [+12.50in-0]

14.6 - 30.5M [48-100FT]: +622.3mm-0 [+24.50in-0]

OVER 30M [100FT] +2% OF FINISHED LENGTH



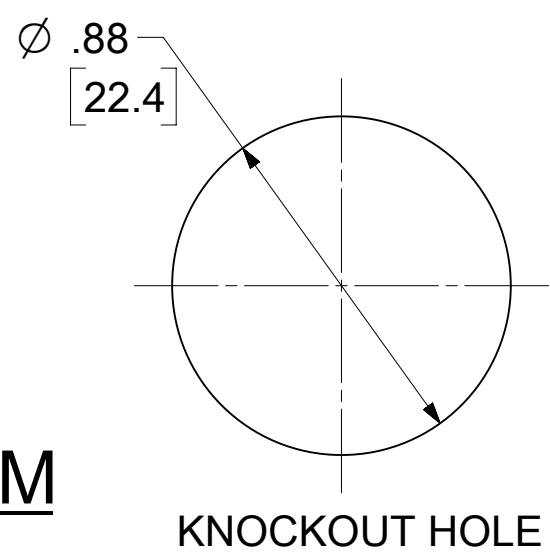
FEMALE FACE VIEW

**PART NUMBER LEGEND**

**1R5000A20A120**

FINISHED LENGTH  
A120= 12 INCHES  
F001= .1 FT  
F020= 2 FT  
F200= 20 FT  
M001 = .1 METER  
M010 = 1 METER  
M100 = 10 METER

- NOTES:**
- MATERIAL: AS NOTED
  - FINISH: AS NOTED
  - ELECTRICAL:  
VOLTAGE: 400V PER IEC60664  
600V PER UL2238  
CURRENT: 8A
  - TEMP RATING: -20°C TO +105°C
  - PROTECTION: IP67 (WHEN MATED)
  - CSA CERTIFIED FILE: LR6837  
UL RECOGNIZED FILE: E152210
  - ALL DIMS ARE FOR REFERENCE UNLESS TOLERANCED OR NOTED OTHERWISE



**WIRING DIAGRAM**

WHITE	1
RED	2
GREEN/YELLOW	3
ORANGE	4
BLACK	5

ITEM	DESCRIPTION	MATERIAL	FINISH
6	FLAG LABEL	VINYL	BLACK/YELLOW
5	POTTING MATERIAL	EPOXY	
4	RECEPTACLE SHELL	ZINC DIE CAST	NICKEL PLATED
3	SOCKET CONTACT	Cu ALLOY	GOLD OVER NICKEL
2	INSERT	TPE	YELLOW
1	WIRE, 16 AWG, UL1015	PVC	SEE WIRING DIAGRAM

FUNCTIONAL SYMBOLS		THIS DRAWING CONTAINS INFORMATION THAT IS PROPRIETARY TO MOLEX ELECTRONIC TECHNOLOGIES, LLC AND SHOULD NOT BE USED WITHOUT WRITTEN PERMISSION		CURRENT REV DESC: ITEM #2 WERE PVC, UPDATED MATERIAL P/N TABLE, ADDED CSA, UL, IEC VOLT, TEMP RATING, IP RATING, TOL, CHART, 90° KEY ORIENTATION DIM. AND PART NUMBER LEGEND	
FA = 0	DIMENSION UNITS	SCALE	EC NO: 701162		
EA = 0	mm	2:1	DRWN: AKABADI 2021/11/11		
EP = 0	GENERAL TOLERANCES (UNLESS SPECIFIED)		CHK'D: RSTONE 2022/03/30		
ANGULAR TOL ± °		APPR: BWOODMAN 2022/04/08			
4 PLACES ±		INITIAL REVISION:			
3 PLACES ±		DRWN: RSTONE 2009/08/26			
2 PLACES ±		APPR: JFMURPHY 2009/08/27			
1 PLACE ±		DRAFT WHERE APPLICABLE MUST REMAIN WITHIN DIMENSIONS			
0 PLACES ±		THIRD ANGLE PROJECTION	DRAWING	SERIES	DOCUMENT NUMBER
			C-SIZE	130013	SD-130013-087
		MATERIAL NUMBER		CUSTOMER	SHEET NUMBER
		SEE TABLE		GENERAL MARKET	1 OF 1



MINI-CHANGE, RECEPTACLE  
5 POLE, FEMALE, STRAIGHT, SINGLE KEY, 16 AWG

PRODUCT CUSTOMER DRAWING

DOCUMENT NUMBER: SD-130013-087

DOC TYPE: PSD, DOC PART: 001, REVISION: C