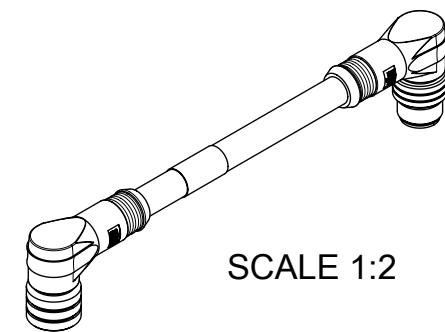
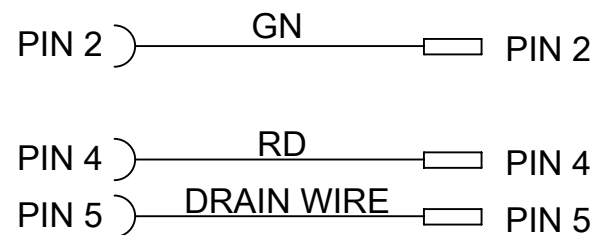


CONNECTOR SPECIFICATION :

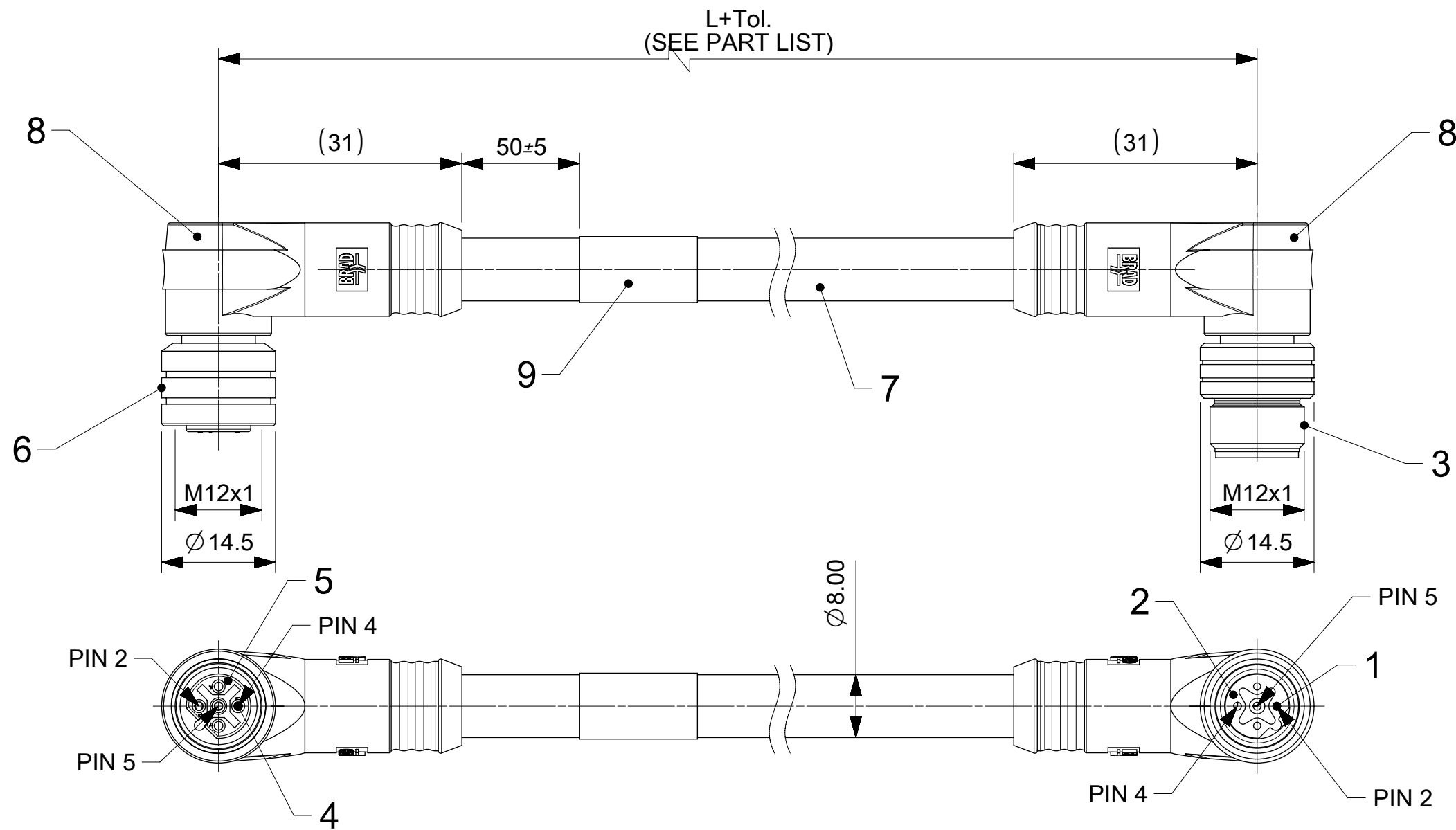
VOLTAGE RATING : 60V AC/DC
 AMPERAGE RATING : 4 AMPS
 PROTECTION CLASS : IP67
 OPERATING TEMPERATURE - STATIC : -40°C TO +80°C
 FLEXING : -20°C TO +80°C

WIRE DIAGRAM



PART LIST

MOLEX P/N	ENGINEERING NO	L(mm)
1200390199	BB5S33PP4M003	300
1200390200	BB5S33PP4M005	500
1200980028	BB5S33PP4M006	600
1200980029	BB5S33PP4M010	1000
1200980031	BB5S33PP4M020	2000
1200980032	BB5S33PP4M030	3000
1200980033	BB5S33PP4M050	5000
1200980034	BB5S33PP4M080	8000
1200980035	BB5S33PP4M100	10000
1200980036	BB5S33PP4M120	12000
1200988050	BB5S33PP4M150	15000
1200988051	BB5S33PP4M200	20000
1200988052	BB5S33PP4M300	30000



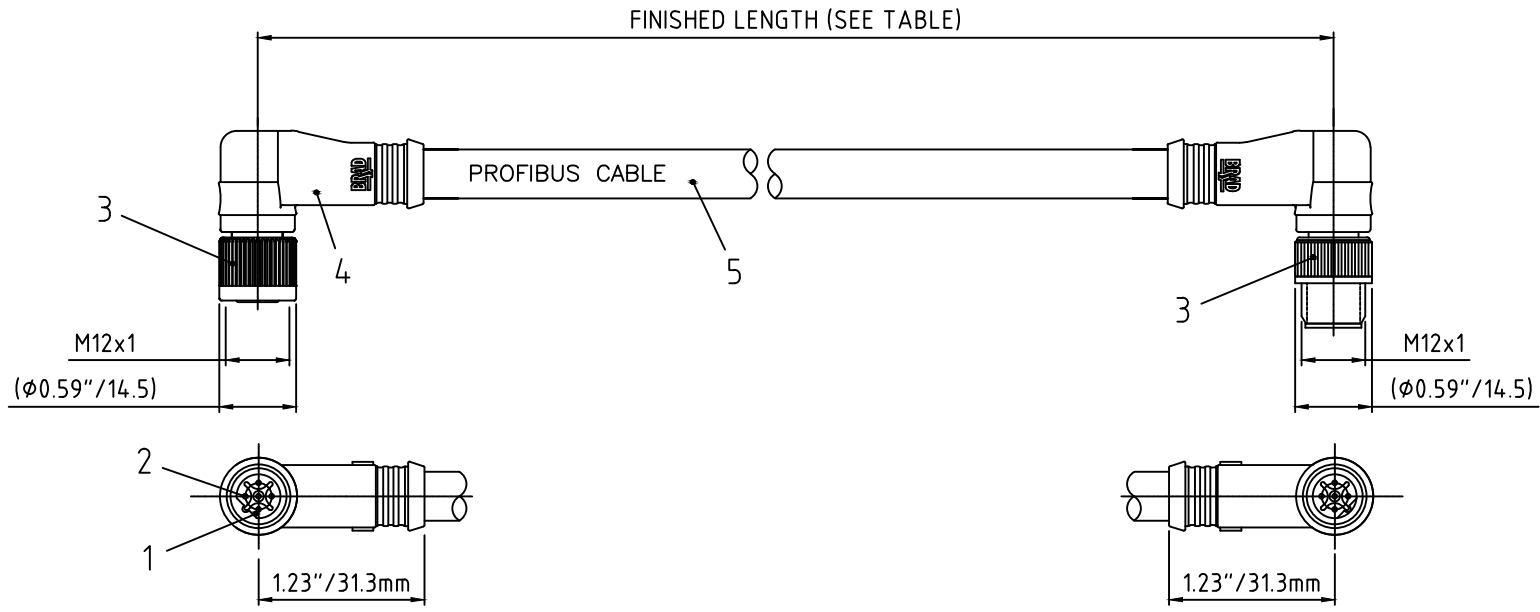
BILL OF MATERIALS

ITEM	QTY.	DESCRIPTION	MATERIAL	COLOR/FINISH
1	3	CONTACT MALE	COPPER	GOLD OVER Ni-PLATED
2	1	INSERT MALE	PUR	BLACK
3	1	COUPLING NUT MALE	BRASS	Ni-PLATED
4	3	CONTACT FEMALE	BRONZE	GOLD OVER Ni-PLATED
5	1	INSERT FEMALE	PUR	BLACK
6	1	COUPLING NUT FEMALE	BRASS	Ni-PLATED
7	-	CABLE	PUR	VIOLET
8	-	OVERMOULD	TPU	YELLOW
9	1	LABEL	VINYL	YELLOW

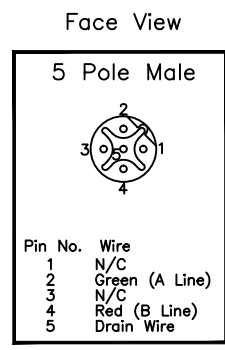
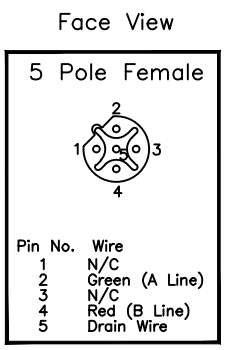
CUSTOMER PRODUCT APPROVAL
 APPROVED BY: _____
 DATE: _____
 MUST BE SIGNED AND RETURNED BEFORE PRODUCTION WILL BEGIN

Over	Up to and including	Tolerance(+)
0	305	+19
305	915	+45
915	1830	+56
1830	3660	+89
3660	7320	+165
7320	14640	+317
14640	30500	+610
30500	>	+2% of length

SYMBOLS	THIS DRAWING CONTAINS INFORMATION THAT IS PROPRIETARY TO MOLEX ELECTRONIC TECHNOLOGIES, LLC AND SHOULD NOT BE USED WITHOUT WRITTEN PERMISSION	CURRENT REV DESC: MIGRATED TO ECTR	
	DIMENSION UNITS	SCALE	
▽ = 0	mm	1.5:1	
▽ = 0	GENERAL TOLERANCES (UNLESS SPECIFIED)		
▽ = 0	ANGULAR TOL	±	'
▽ = 0	4 PLACES	±	
▽ = 0	3 PLACES	±	
▽ = 0	2 PLACES	±	
▽ = 0	1 PLACE	± 0.3	
▽ = 0	0 PLACES	±	
□ = 0	DRAFT WHERE APPLICABLE MUST REMAIN WITHIN DIMENSIONS		
▽ = 0	THIRD ANGLE PROJECTION	DRAWING	SERIES
		A3-SIZE	120098
EC NO: 616948		DRWN: SSM	2019/05/07
CHK'D: RSILLER		APPR: RSILLER	2019/05/10
INITIAL REVISION:		DRWN: SSM	2019/05/07
		APPR: RSILLER	2019/05/10
DOCUMENT NUMBER		DOC TYPE	DOC PART
1200980029		PSD	000
MATERIAL NUMBER		CUSTOMER	SHEET NUMBER
SEE PART LIST		GENERAL MARKET	1 OF 1



POL	MATERIAL NUMBER	ENGINEERING NUMBER	FINISHED LENGTH
5	1200980029	BB5S33PP4M010	3.28' +2.19" -0 [1.0M +55.6 -0]



CONNECTOR SPECIFICATION:

VOLTAGE RATING	60V AC/DC
AMPERAGE RATING	4 AMPS
PROTECTION CLASS	IP67
OPERATING TEMPERATURE	STATIC: -40°C TO +80°C FLEXING: -20°C TO +80°C
UL CERTIFICATIONS	NOT APPLICABLE
CSA CERTIFICATIONS	NOT APPLICABLE

ITEM	COMPONENT	MATERIAL	FINISH
1	INSERT	POLYURETHANE (PUR)	BLACK
2	CONTACT MATERIAL	COPPER ALLOY	GOLD OVER NICKEL
3	COUPLING NUT	BRASS	NICKEL PLATED
4	OVERMOLD	TPU	YELLOW
5	CABLE 2x0.2 ² /24 AWG	JACKET: PUR	JACKET: VIOLET

DESCRIPTION EC NO: IPG2012-0445 DRWN: BBRAUCH CHKD: REISSNER APPR: REISSNER 28.02.12 2010/01/28	QUALITY SYMBOLS ▽ = 0 ▽ = 0	GENERAL TOLERANCES (UNLESS SPECIFIED) mm INCH 4 PLACES ± --- ± --- 3 PLACES ± --- ± --- 2 PLACES ± --- ± 0.1 1 PLACE ± 0.3 ± --- ANGULAR ± --- °	DIMENSION STYLE IN/MM DRAWN BY DATE BBRAUCH 2010/01/25 CHECKED BY DATE NS 2010/01/28 APPROVED BY DATE REISSNER 2010/01/28 MATERIAL NO. DOCUMENT NO.	SCALE 2:1 DESIGN UNITS METRIC THIRD ANGLE PROJECTION	CSE M12 5P BC FEMA RA PUR XM SHLD YL BRA AU M12 PROFIBUS CABLE MOLEX INCORPORATED SD-120098-032 SHEET NO. 1 OF 1
		DRAFT WHERE APPLICABLE MUST REMAIN WITHIN DIMENSIONS	SEE TABLE SIZE A3 THIS DRAWING CONTAINS INFORMATION THAT IS PROPRIETARY TO MOLEX INCORPORATED AND SHOULD NOT BE USED WITHOUT WRITTEN PERMISSION		