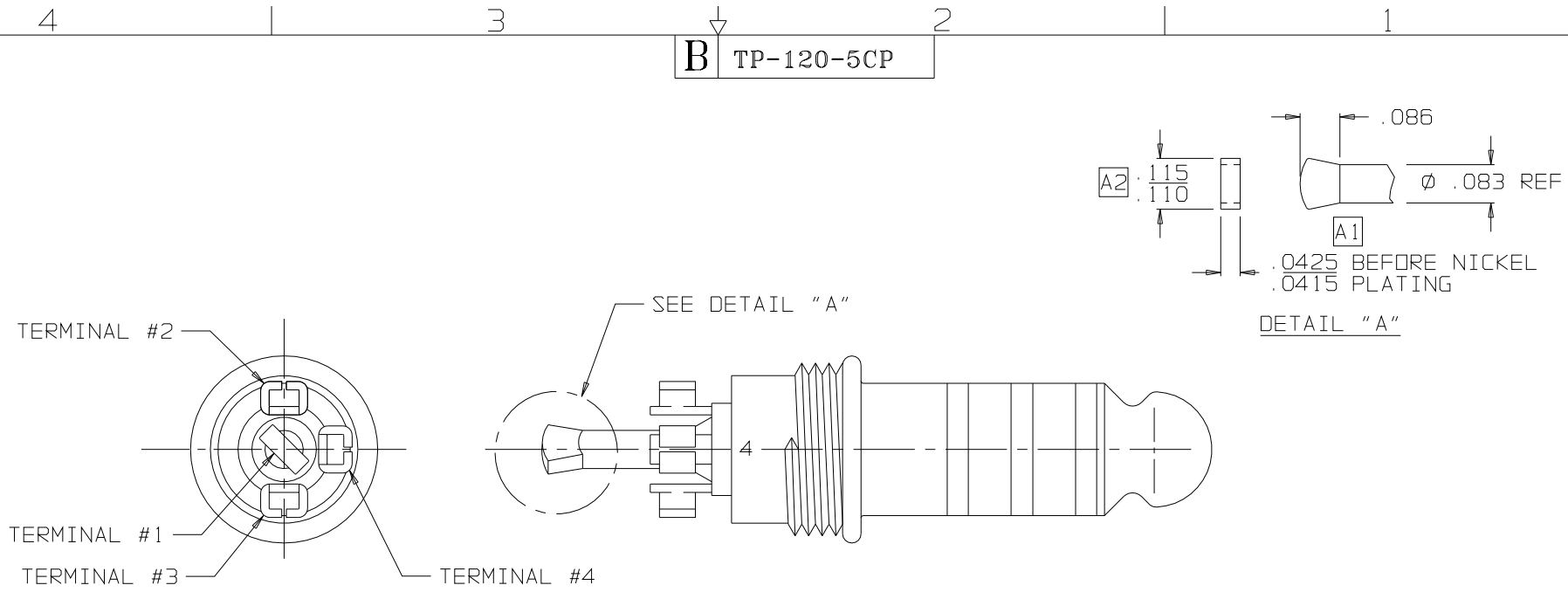


B TP-120-5CP



- NOTES:
 1) MATERIAL: 1) TP-120-1 BALL CONTACT #1
 2) TP-120-2 CONTACT #2
 3) TP-120-3 CONTACT #3
 4) TP-120-4 CONTACT #4
 2) NYLON 77G33

THIS DOCUMENT CONTAINS PROPRIETARY INFORMATION OF NEXUS, INCORPORATED AND SUCH INFORMATION MAY NOT BE DISCLOSED TO OTHERS FOR ANY PURPOSE OR USED FOR ANY PURPOSE WITHOUT THE WRITTEN CONSENT OF NEXUS.

A	INITIAL RELEASE	026	8/16/91	JAJ
LET.	REVISION	CN #	DATE	CHK.

DWN. BY	EWT	DATE	7/11/00	MATERIAL
CHECKED BY		DATE		FINISH
		DATE		N/A
		WEIGHT	—	SCALE
				4:1
DIMENSIONS ARE IN INCHES				NEXUS STAMFORD, CONN SIZE B DWG. NO. TP-120-5CP
TOLERANCES ON				
.XX .XXX ANGLES				
— ±.003 ±.5°				TITLE TP-120 STACK ASSEMBLY MOLDED CUSTOMER PRINT DO NOT SCALE DWG. SHEET 1 OF 1