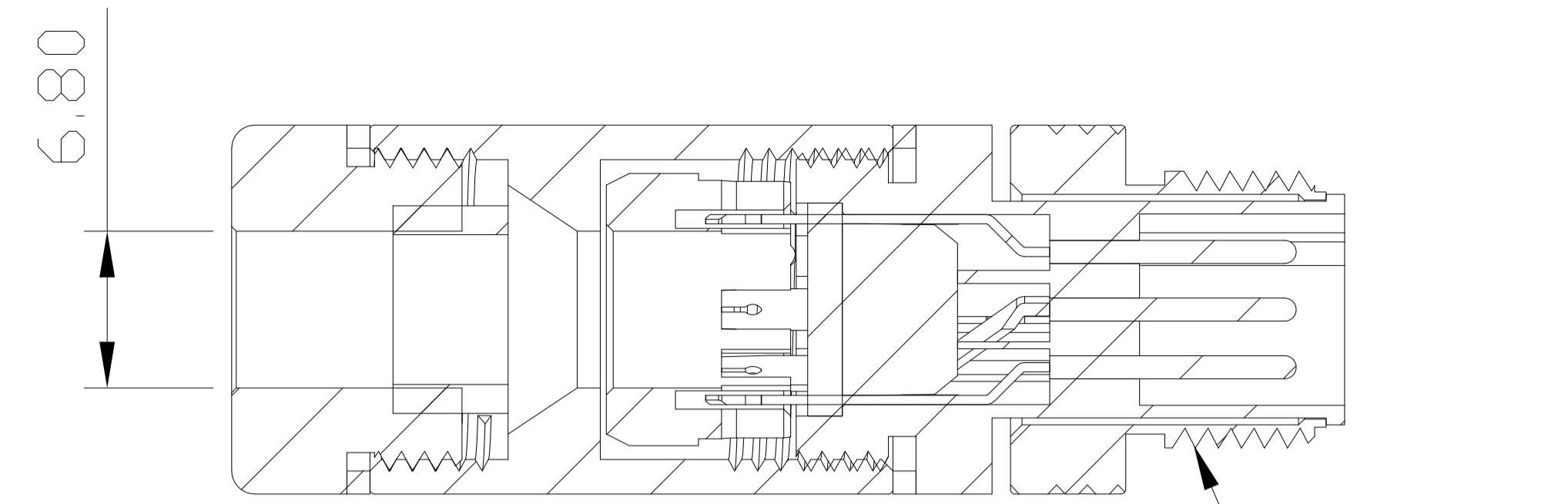
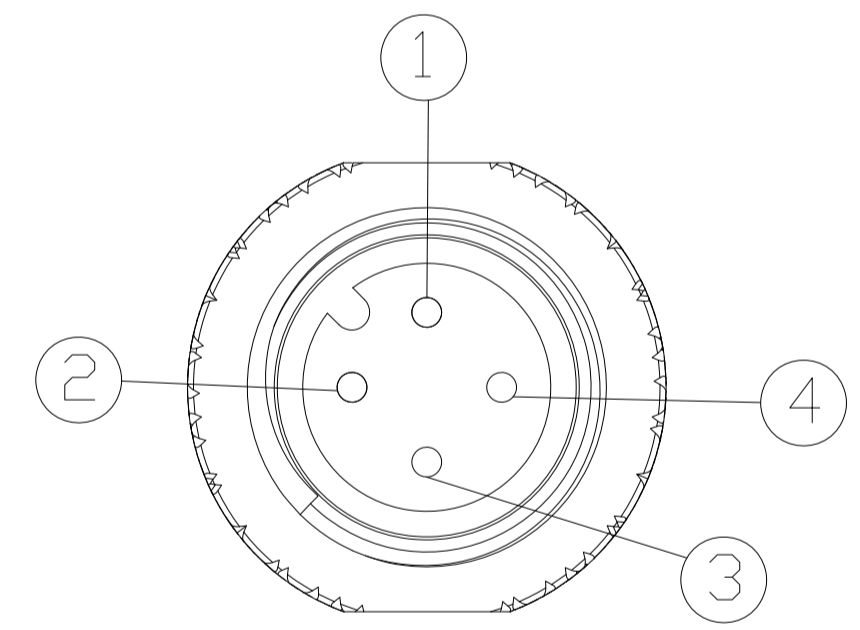
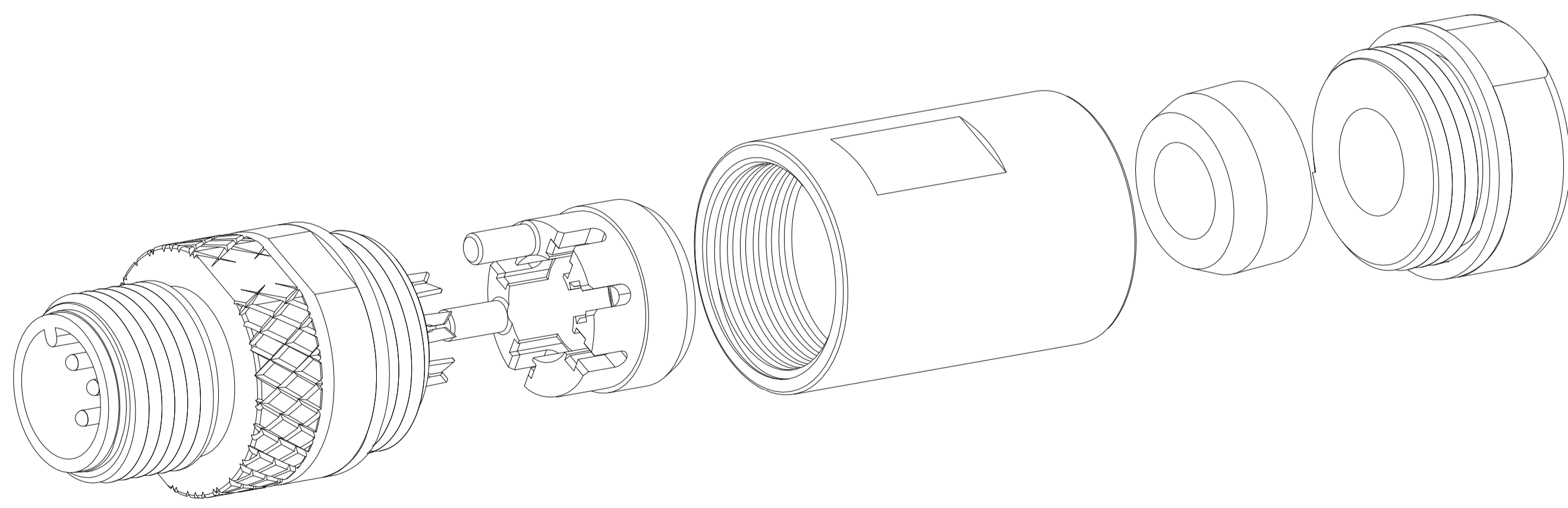
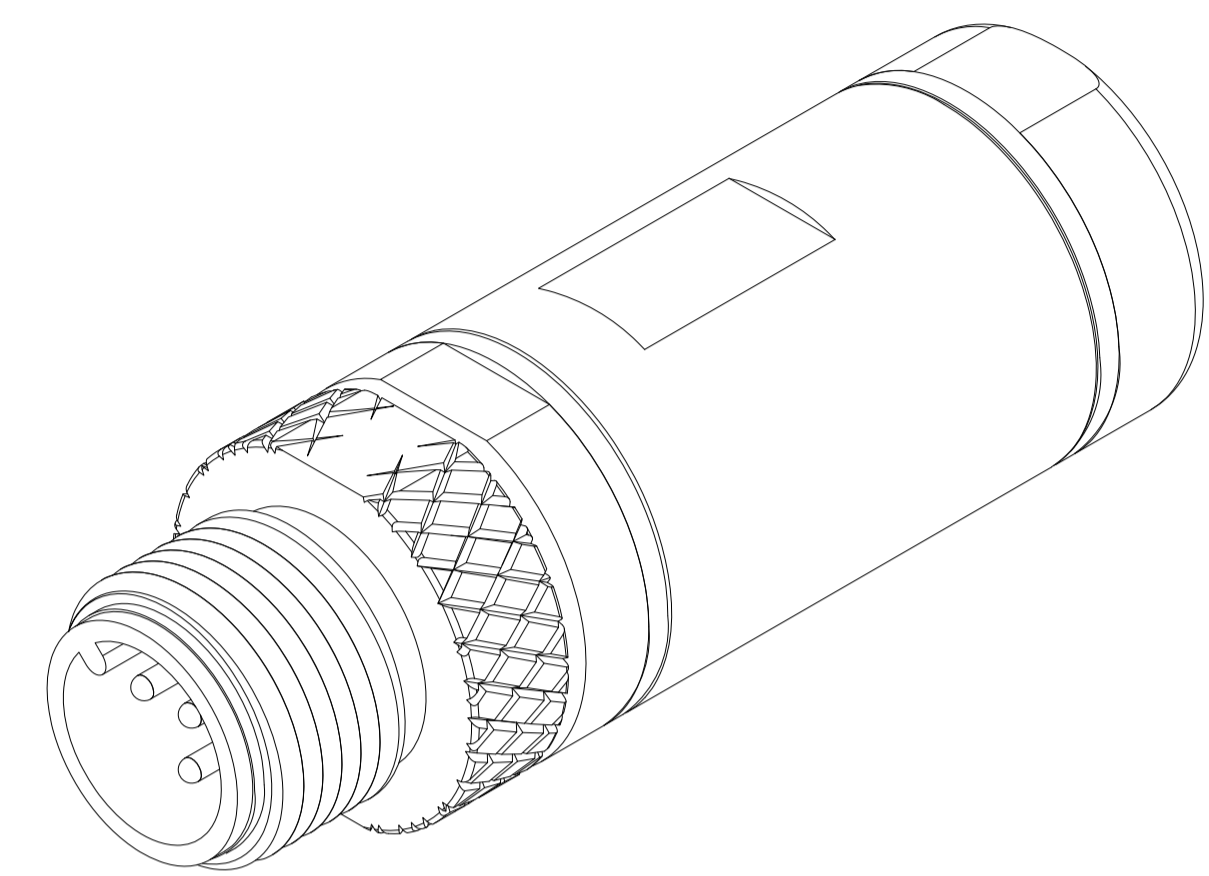
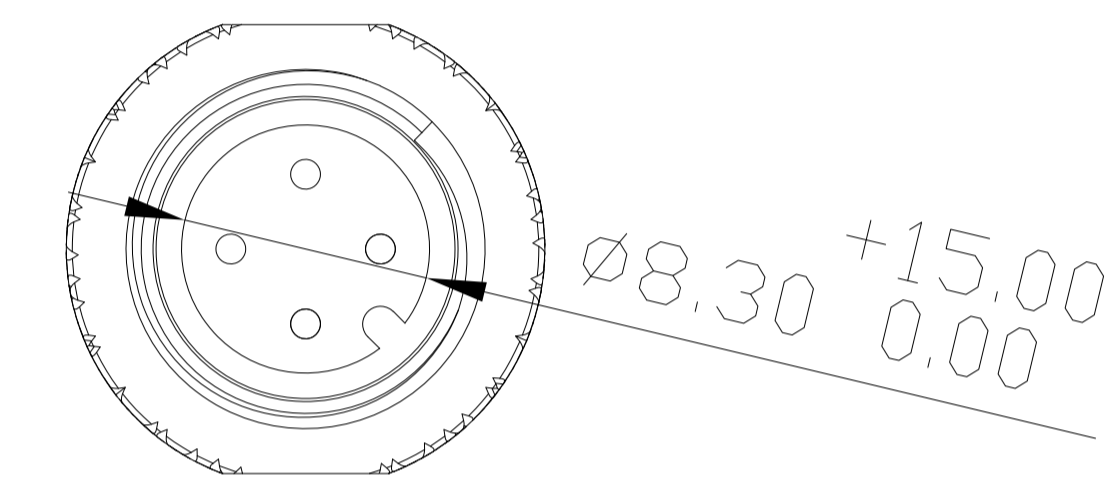
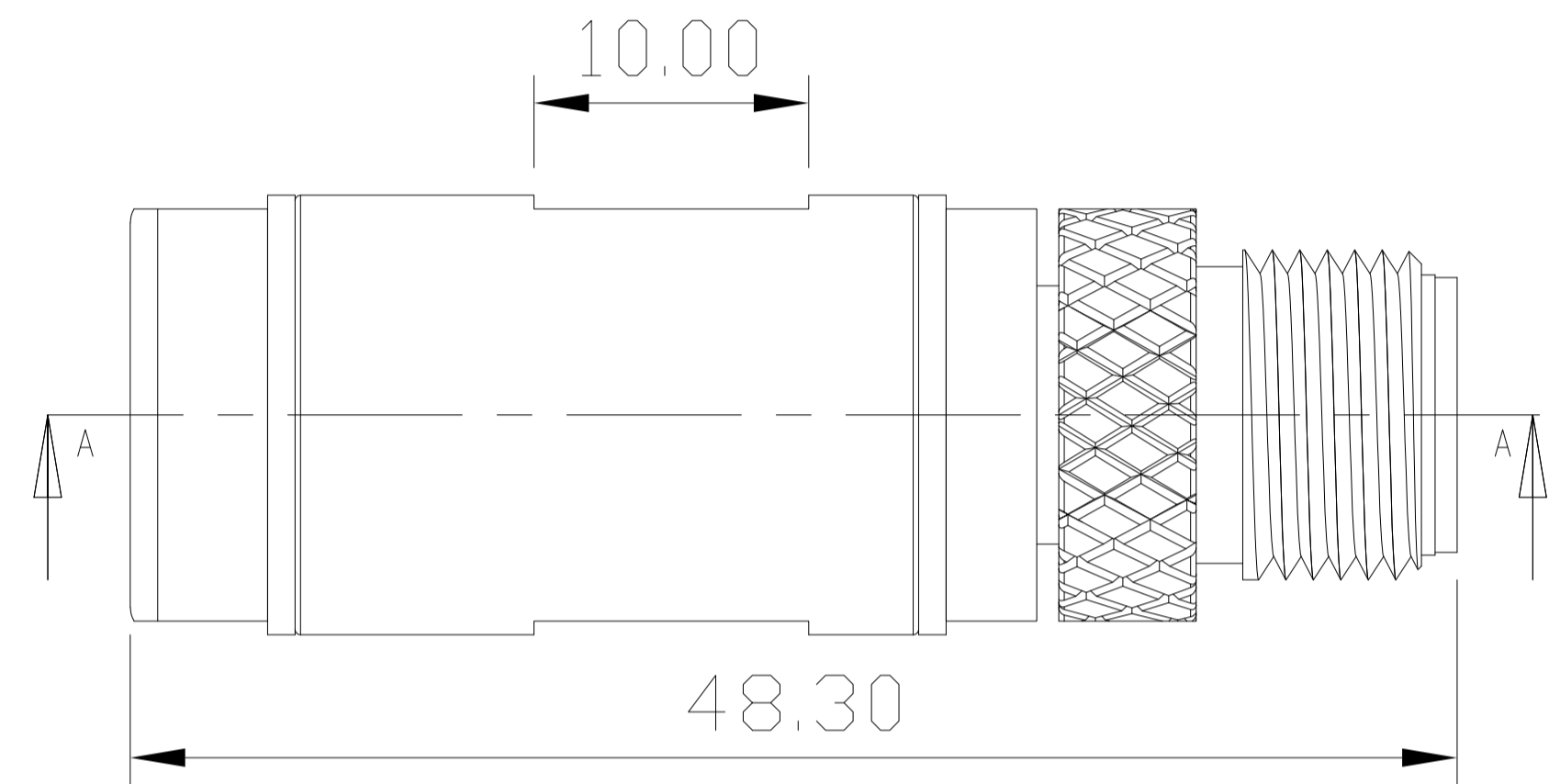
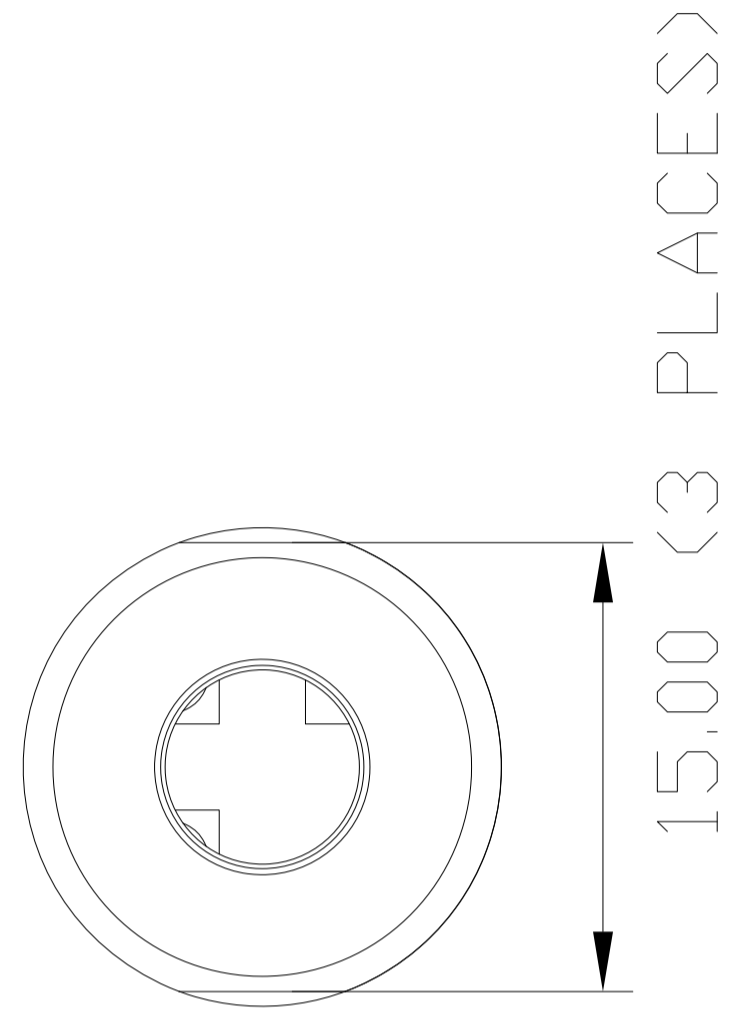


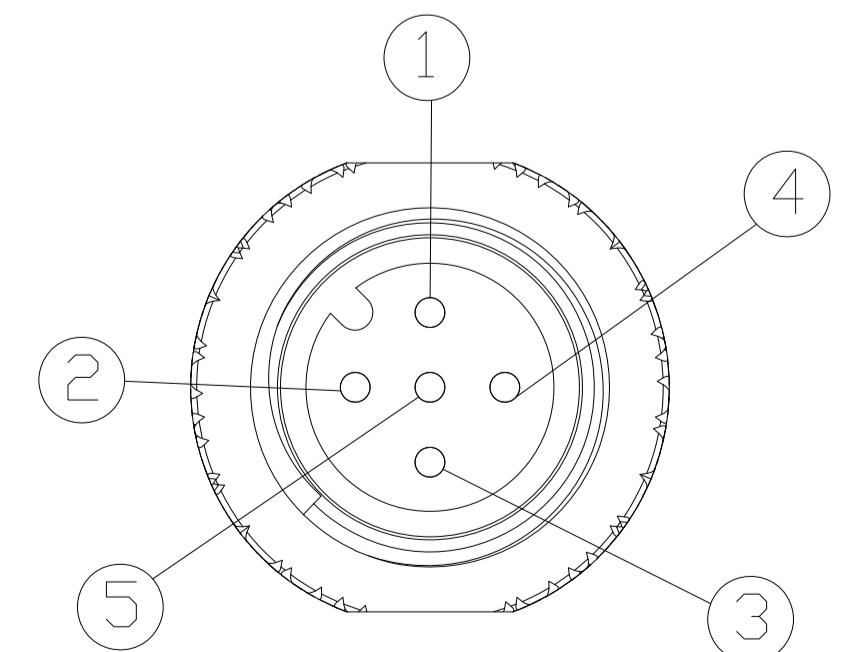
DATE	REV	REVISION CHANGES	ECN	APP'D. BY
09/19/18	A0	AS DRAWN	-	ADB



SECTION A-A



A-CODE (4 PIN)



A-CODE (5 PIN)

- NOTES:
- CONNECTOR MATERIALS:
HOUSING: THERMOPLASTIC UL94 V-0
CONTACTS/SHIELD: COPPER ALLOY
O-RING MATERIAL: SILICONE UL94 V-0
EPOXY POTTING COMPOUND IN REAR CAVITY
SHIELD PLATING: NICKEL
CONTACT PLATING: SELECTIVE GOLD (1 µIN) OR EQUIVALENT IN THE CONTACT AREA
 - FOR PRODUCT SPECIFICATIONS SEE PR039-01
 - DIMENSIONS AND TOLERANCES COMPLY WITH IEC 61076-2-101 STANDARD.
 - PLUG ACCOMMODATES CABLE Ø6.00 - 6.50
 - CODING: A-STANDARD
 - NICKEL PLATED IDC ACCOMMODATES 22 AWG WIRE
 - CURRENT RATING: 4 AMPS MAX
 - INSULATION RESISTANCE: 100 MOHMS MIN @ 500 VDC
 - DEGREE OF PROTECTION: IP67
 - TEMPERATURE RANGE: -20°C TO +85°C
 - MATING CYCLES: 100 INSERTIONS

5	SS-12000-022
4	SS-12000-021
NUMBER OF CONTACTS	PART NUMBER

THIRD ANGLE PROJECTION

DO NOT SCALE DRAWING
DRAWING IS SUBJECT TO CHANGE WITHOUT NOTICE

UNLESS OTHERWISE SPECIFIED
DIMENSIONS: METRIC
TOLERANCES ARE ±0.13 (.005)
ANGLES ARE ±1°

SHEET NO. 1 OF 1

THIS DRAWING AND THE SUBJECT MATTER SHOWN THEREON ARE CONFIDENTIAL AND THE PROPRIETARY PROPERTY OF STEWART CONNECTOR AND SHALL NOT BE REPRODUCED, COPIED, OR USED IN ANY MANNER WITHOUT PRIOR WRITTEN CONSENT OF STEWART CONNECTOR. ONE OR MORE U.S. PATENTS MAY APPLY TO THIS PRODUCT. FOR DETAILS, PLEASE VISIT: [HTTP://BELFUSE.COM/STEWART/STEWART_PATENTS/](http://BELFUSE.COM/STEWART/STEWART_PATENTS/)

DRN BY: BTS DATE 09/05/18
APP'D BY: ADB DATE 09/19/18
DWG NO. CT120011 REV. A0

11118 Susquehanna Trail South
Glen Rock, PA 17327-9199
(717) 235-7512
<http://www.stewartconnector.com>

stewart
CONNECTOR
a bel group

TITLE: Field Terminated Plug with IDCs, M12 A-Code, Male



AutoCAD A1 Metric