

ATTN: _____

SEIKO EPSON CORPORATION
Sales & Marketing Division.
Device Sales & Marketing Dept.
MICRODEVICES Operations Division.
TD Production Management Control Dept.

SUB: SPXO(2520size) EOL products notice

Dear Valued Customer:

Thank you for choosing SEIKO EPSON CORPORATION for your product requirements. EPSON maintains a continuous effort to increase performance, delivery and flexibility of our products. As a part of this activity, EPSON would like to inform you of the EOL of the products below.

1. Products Affected, Recommend Alternatives and Schedule

Product Name	P/N	Recommended Alternative	
1) SG-210STF (Before PCN)	X1G004171xxxx xx	SG-210STF (4M change product) ※	Standard frequencies only *See below standard frequency table
2) SG-210SCB SG-210SDB SG-210SEB	Q33210B7xxxxx xx Q33210BDxxxxx xx Q33210BExxxxx xx	OR	
3) SG-210SCD SG-210SDD SG-210SED	X1G002921xxxx xx X1G002931xxxx xx X1G002941xxxx xx	SG-8018CG SG-8101CG. *See below Note for Pin 1 terminal	Frequencies other than standard
4) SG-210SGB	Q33210BGxxxxx xx	No Alternative model	

※Please refer to PCN letter No:19-015 and No:19-031.

<Standard Frequency table>

STD Frequency (MHz)							
1	4.000000	6	14.745600	11	25.000000	16	33.333300
2	8.000000	7	16.000000	12	26.000000	17	40.000000
3	10.000000	8	20.000000	13	27.000000	18	48.000000
4	12.000000	9	24.000000	14	32.000000	19	50.000000
5	12.288000	10	24.576000	15	33.330000	20	72.000000

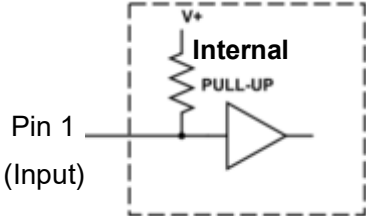
2. EOL Schedule

Product	Last time Buy	Last shipment
2) SG-210SxB 3) SG-210SxD 4) SG-210SGB	December/25/ 2020	End of Jun / 2021
1) SG-210STF (Before PCN)	September/24/ 2021	End of March / 2022

3. Conclusion / Request

EPSON greatly appreciates your approval of this EOL notice and issuance of LTB for the affected products by the schedule above. For additional information, please contact your local EPSON device sales office.

Sincerely yours,

Series	SG-210 Series SG-310 Series SG5032CAN Series SG7050CAN Series	SG-8018 Series SG-8101 Series												
Standby Function Details	<table border="1" data-bbox="304 383 871 533"> <thead> <tr> <th>Pin 1</th> <th>Output</th> </tr> </thead> <tbody> <tr> <td>High or "open"*</td> <td>Specified Frequency Enabled</td> </tr> <tr> <td>Low</td> <td>High Impedance</td> </tr> </tbody> </table> <p data-bbox="443 568 730 600">*Internal Pull-up resistor</p> 	Pin 1	Output	High or "open"*	Specified Frequency Enabled	Low	High Impedance	<table border="1" data-bbox="903 383 1398 479"> <thead> <tr> <th>Pin 1</th> <th>Output</th> </tr> </thead> <tbody> <tr> <td>High</td> <td>Specified Frequency Enabled</td> </tr> <tr> <td>Low</td> <td>Low</td> </tr> </tbody> </table> <p data-bbox="919 517 1382 577">Note: No open default state for standby function</p>	Pin 1	Output	High	Specified Frequency Enabled	Low	Low
Pin 1	Output													
High or "open"*	Specified Frequency Enabled													
Low	High Impedance													
Pin 1	Output													
High	Specified Frequency Enabled													
Low	Low													

Note: