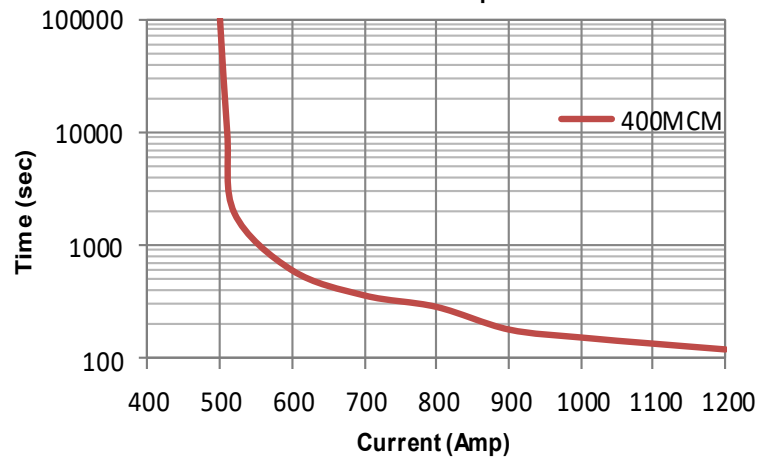


**Key Features**

<b>EPIC® Seal</b>	Ceramic to metal braze. Gas filled hermetic chamber protects key components. Exceeds IP69K standard
<b>Temperature</b>	Tested to temperatures up to 200°C
<b>Contacts / Form</b>	Silver / SPST / NO
<b>Coil</b>	Efficient two coil design with no PWM or EMI emissions. Coil suppression built in
<b>High Shock and Vibration</b>	For rugged environments, off-road and tracked vehicles
<b>Installation</b>	Not direction sensitive
<b>Reference</b>	MIL-R-6106, RoHS

**Current Carry vs Time**  
with 85°C terminal temperature rise



**Power Terminals**

Zinc Plated M12 X 1.75 Bolt  
Stainless M12 X 1.75 Flanged Nut

Torque 15-22 Nm [130-200 in-lb]

**Mounting Hardware**

M6 [1/4 in] Bolts (not incl.)

Torque 2-4 Nm [18-35 in-lb]

**Mating Connector**  
Deutsch DT06-08S

\*GIGAVAC sells mating connector as assembly or component package. See Accessories pg 2.

<b>GIGAVAC</b> <sup>®</sup>		P.O. Box 4428 Santa Barbara, CA 93140
<a href="http://www.gigavac.com">www.gigavac.com</a>	<a href="mailto:info@gigavac.com">info@gigavac.com</a>	+805-684-8401
Rev 4	27/Jan/22	© 2014 GIGAVAC, LLC
Page 1 of 2		<b>MX15</b>

Technical Specification	
Continuous Current	500A w/ 400MCM (see graph on reverse)
Max Current—1 sec	3000A
Max Current—10 sec	2000A
Max Current—90 sec	1000A
Contact Voltage Drop (max)	150mV at 400A
Insulation Resistance (min)	100MΩ (50MΩ after life)
Dielectric Withstanding	2200 VRMS (1050 VRMS after life)
Operate Time (max)	20 msec (include bounce)
Release Time (max)	12 msec
Weight	1.6 lb with hardware (725 grams)

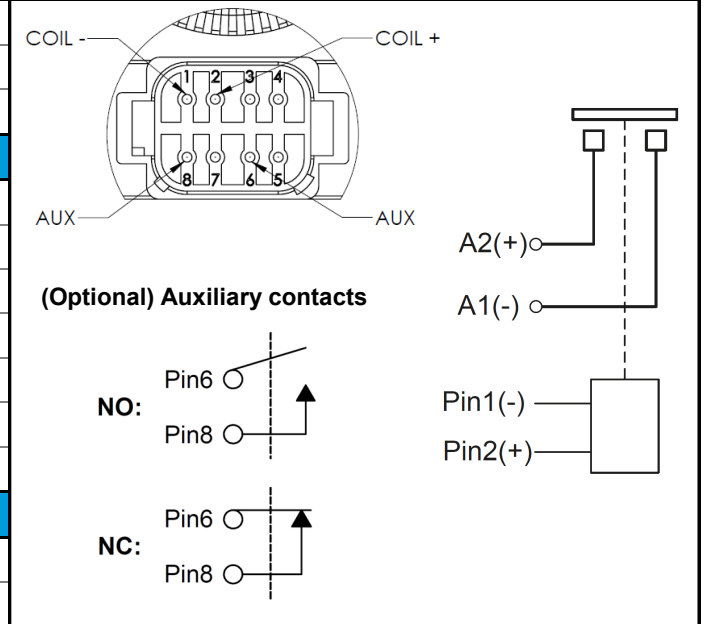
**MX15 \_ E \_**

**Coil Voltage:**  
*B = 12V*  
*C = 24V*  
*F = 48V*

**Auxiliary Contacts:**  
*Blank = none*  
*B = SPST, Normally Open*  
*C = SPST, Normally Closed*

Resistive Load Switching	
500A at 24VDC	50,000 cycles
Mechanical Life	300,000 cycles
Fault Interrupt @ 28VDC	3000A

**Power Circuit and Installation**



Environmental Specifications	
Seal	Hermetic, 10 E-9 atm cc/sec
Temperature Range	-55°C to +100°C
Shock	Sawtooth @ 20G, 11ms, ½ Sine @ 25G, 11ms
Vibration	10-2000 Hz, 20G
Water / Steam	2750 psi waterjet, 105 psi steam, boiling water
Salt Spray Corrosion	MIL-STD-810G
Resistant to corrosion, chemicals, and fungal growth	

Auxiliary contacts (optional) - Form A, SPST Normally Open	
Switching Current (max)	2A at 28VDC
Switching Current (min)	0.1mA at 5V

**Coil Ratings at 25°C**  
 \*Contact factory for additional coil voltages

Coil P/N Designation	B	C	F
Coil Voltage, Nominal	12 VDC	24 VDC	48 VDC
Coil Voltage, Max	16 VDC	32 VDC	64 VDC
Pick-Up Voltage, Max	8 VDC	16 VDC	40 VDC
Drop-Out Voltage	0.5 to 4 VDC	2 to 7.5 VDC	4 to 15 VDC
Pick-Up Current, Max (75ms)	3.9 A	1.6 A	0.97 A
Coil Current	0.23 A	0.097 A	0.042 A
Coil Power	2.8 W	2.3 W	2 W
Internal Coil Suppression	Transorb		
Coil Back EMF	55 V		125 V
Transients, Max (13ms)	±50 V		±75 V
Reverse Polarity	16 V	32 V	64 V



**Options and Accessories**

0696-1	Components (not assembled) for mating Deutsch connector, non-aux
0696-2	Components (not assembled) for mating Deutsch connector, w/ aux
0697-1	Assembled mating Deutsch connector for non-aux versions
0697-2	Assembled mating Deutsch connector for versions w/ auxiliaries

<b>GIGAVAC®</b>		P.O. Box 4428 Santa Barbara, CA 93140
<a href="http://www.gigavac.com">www.gigavac.com</a>	<a href="mailto:info@gigavac.com">info@gigavac.com</a>	<b>+805-684-8401</b>
Rev 4	27/Jan/22 © 2014 GIGAVAC, LLC	Page 2 of 2 <b>MX15</b>