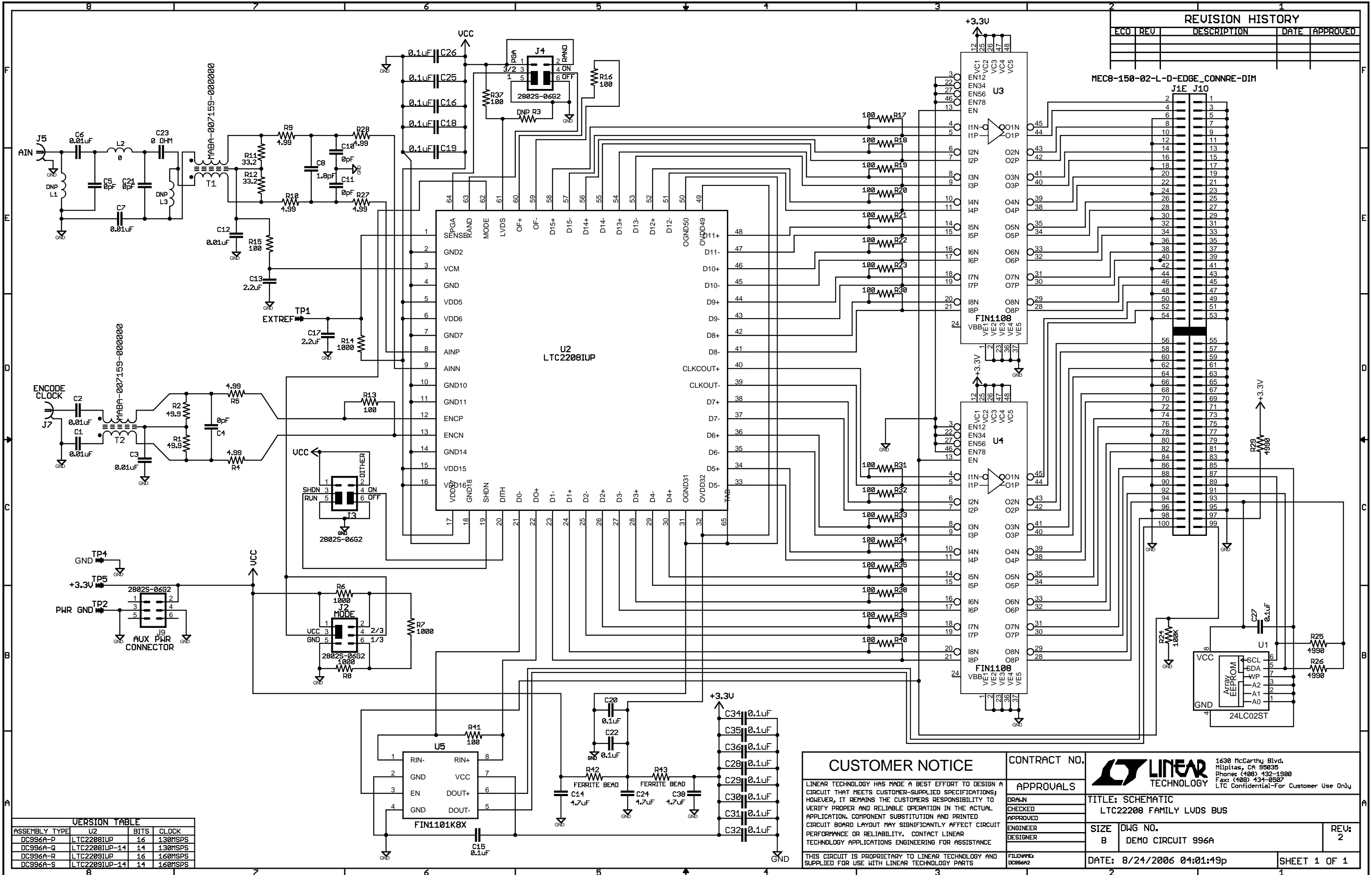


REVISION HISTORY				
ECO	REV	DESCRIPTION	DATE	APPROVED



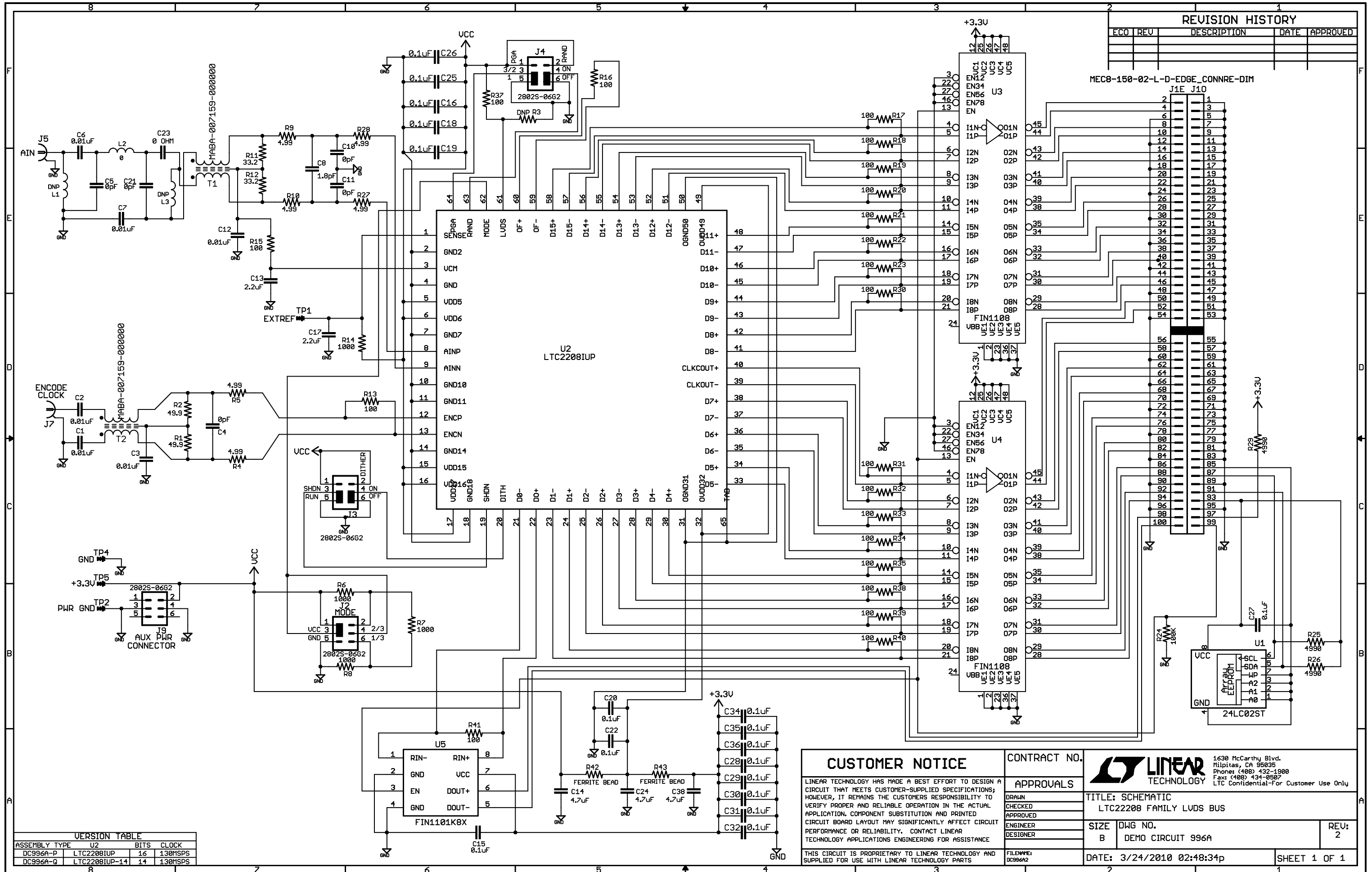
VERSION TABLE			
ASSEMBLY TYPE	U2	BITS	CLOCK
DC996A-D	LTC2208IUP	16	130MSPS
DC996A-Q	LTC2208IUP-14	14	130MSPS
DC996A-R	LTC2209IUP	16	160MSPS
DC996A-S	LTC2209IUP-14	14	160MSPS

CUSTOMER NOTICE

LINEAR TECHNOLOGY HAS MADE A BEST EFFORT TO DESIGN A CIRCUIT THAT MEETS CUSTOMER-SUPPLIED SPECIFICATIONS; HOWEVER, IT REMAINS THE CUSTOMER'S RESPONSIBILITY TO VERIFY PROPER AND RELIABLE OPERATION IN THE ACTUAL APPLICATION. COMPONENT SUBSTITUTION AND PRINTED CIRCUIT BOARD LAYOUT MAY SIGNIFICANTLY AFFECT CIRCUIT PERFORMANCE OR RELIABILITY. CONTACT LINEAR TECHNOLOGY APPLICATIONS ENGINEERING FOR ASSISTANCE.

THIS CIRCUIT IS PROPRIETARY TO LINEAR TECHNOLOGY AND SUPPLIED FOR USE WITH LINEAR TECHNOLOGY PARTS

CONTRACT NO.	<p>1630 McCarthy Blvd. Milpitas, CA 95035 Phone: (408) 432-4900 Fax: (408) 434-0507 LTC Confidential-For Customer Use Only</p>	TITLE: SCHEMATIC LTC22208 FAMILY LVDS BUS			
APPROVALS			SIZE: B	DWG NO.: DEMO CIRCUIT 996A	REV: 2
DRAWN CHECKED APPROVED ENGINEER DESIGNER			DATE: 8/24/2006 04:01:49p	SHEET 1 OF 1	



REVISION HISTORY				
ECO	REV	DESCRIPTION	DATE	APPROVED

VERSION TABLE			
ASSEMBLY TYPE	U2	BITS	CLOCK
DC996A-P	LTC2208IUP	16	130MSPS
DC996A-Q	LTC2208IUP-14	14	130MSPS

CUSTOMER NOTICE

LINEAR TECHNOLOGY HAS MADE A BEST EFFORT TO DESIGN A CIRCUIT THAT MEETS CUSTOMER-SUPPLIED SPECIFICATIONS; HOWEVER, IT REMAINS THE CUSTOMERS RESPONSIBILITY TO VERIFY PROPER AND RELIABLE OPERATION IN THE ACTUAL APPLICATION. COMPONENT SUBSTITUTION AND PRINTED CIRCUIT BOARD LAYOUT MAY SIGNIFICANTLY AFFECT CIRCUIT PERFORMANCE OR RELIABILITY. CONTACT LINEAR TECHNOLOGY APPLICATIONS ENGINEERING FOR ASSISTANCE

THIS CIRCUIT IS PROPRIETARY TO LINEAR TECHNOLOGY AND SUPPLIED FOR USE WITH LINEAR TECHNOLOGY PARTS

CONTRACT NO.	1630 McCarthy Blvd. Milpitas, CA 95035 Phone: (408) 432-1900 Fax: (408) 434-0907 LTC Confidential-For Customer Use Only	
APPROVALS	TITLE: SCHEMATIC LTC2208 FAMILY LVDS BUS	
DRAWN	SIZE	DWG NO.
CHECKED	B	DEMO CIRCUIT 996A
APPROVED	DATE:	3/24/2010 02:48:34p
ENGINEER	REV:	2
DESIGNER	SHEET 1 OF 1	