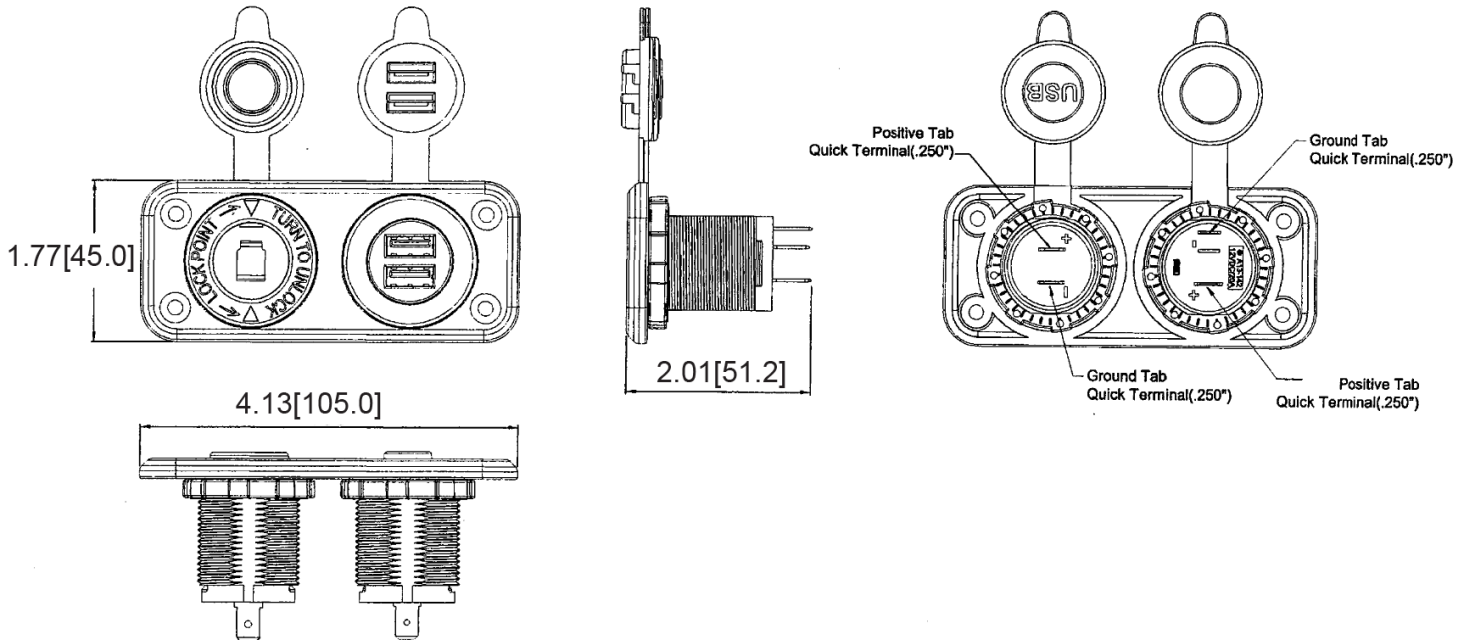
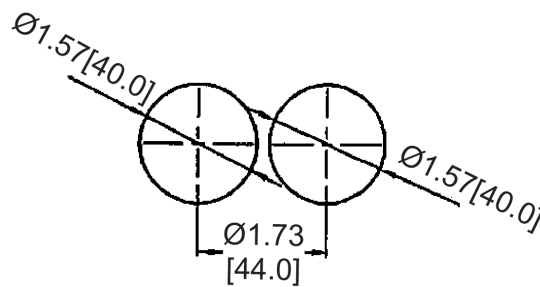


Mechanical Dimensions: Inches [mm]

Tolerances ± 0.012 [0.3] Unless Otherwise Specified



Mounting Hole



Electrical Specifications

Input Rating	12/24V
Output Rating	USB Socket: 5V 2.1A max DC. Outlet Socket: 20A
Insulation Resistance	DC 500V 100M ohms
Dielectric Strength	AC 1500V 1 min
Operating Temperature	0°C ~ 60°C

Material Specifications

	LED power indicator inside
Housing	Nylon with Fiberglass (UL94-HB), Black
Mounting plate	Nylon with Fiberglass (UL94-HB), Black
Surface Mounting Case	ABS

**Power Adapter USB
& Outlet Socket**

A1-P21USB2-1-B-PD



Rev Date of issue Revision Notes

Designed Approved

A	11-30-2020	Initial Drawing	RC	OF
---	------------	-----------------	----	----