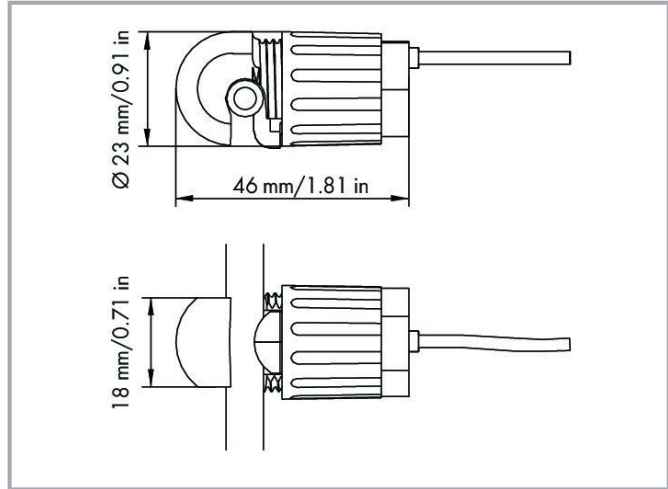


Data sheet | Item number: 855-8004

Power tap; without fuse; 10 mm² (8 AWG) - 16 mm² (6 AWG); N-conductor

www.wago.com/855-8004



Item description

Short description:

WAGO's voltage taps (855 Series) easily and safely tap the measurement voltage.

This allows a fuse-protected measurement voltage to be tapped from an insulated conductor with just one turn – no tools required.

Features:

- Safely tap the measurement voltage with just one turn
- Tool-free assembly
- Secure mounting
- Voltage taps (855-8001 and 855-8003) include a (5 x 25) mm 2 A fuse
- For insulated conductors up to 16 mm² (6 AWG)
- Cable length: 3 m

Subject to changes. Please also observe the further product documentation!

WAGO GmbH & Co. KG
Hansastr. 27
32423 Minden
Phone: +49571 887-0 | Fax: +49571 887-169
Email: info.de@wago.com | Web: www.wago.com

Do you have any questions about our products?
We are always happy to take your call at +49 (571) 887-44222.



Data

Technical data

Output (voltage tap)

Continuous current (max.)	2 A
Voltage drop at output (max.)	≤ AC 0.5 V
Fuse (voltage path)	-

Safety and protection

Rated surge voltage	6 kV
Overvoltage category	III
Pollution degree	2
Protection type	IP20

Test voltage

Test voltage	AC 3 kV; 50 Hz; 1 min
--------------	-----------------------

Connection data

Connection technology	IDC connection
Solid conductor	10 ... 16 mm ² / 8 ... 6 AWG
Fine-stranded conductor	10 ... 16 mm ² / 8 ... 6 AWG
Feedthrough for measurement conductor	5 ... 7 mm Ø
Cable type	Secondary side: 1 x 1.0 mm ² ; flexible; with ferrule

Physical data

Width	23 mm / 0.906 inches
Height	50 mm / 1.969 inches
Depth	23 mm / 0.906 inches
Cable length	3 m

Mechanical Data

Mounting type	Insulation displacement connection
Mounting type	Mounting on insulated round cable Mounting on insulated round cable
Torque range	1.5 ... 2 Nm
Usability	Can be reused several times (max. 24 times)

Subject to changes. Please also observe the further product documentation!



Material Data

Flammability class per UL94	V2
Housing material	PA 66
Weight	21 g

Environmental requirements

Pollution degree	2
Ambient temperature (operation)	-5 ... +55 °C
Ambient temperature (storage)	-20 ... +70 °C
Relative humidity	5 ... 85 % (without condensation)
Operating altitude (max.)	2000 m

Standards and specifications

Conformity marking	CE
Standards/specifications	EN 60947-7-1 EN 60947-7-1

Commercial data

eCl@ss 10.0	27-14-11-92
eCl@ss 9.0	27-14-11-92
ETIM 8.0	EC002848
ETIM 7.0	EC002848
PU (SPU)	10 (1) pcs
Packaging type	Box
Country of origin	NL
GTIN	4055143378840
Customs tariff number	85366990990

Environmental Product Compliance

RoHS Compliance Status	Compliant, No Exemption
------------------------	-------------------------

Approvals / Certificates

General approvals

Logo	Approval	Additional Approval Text	Certificate name
	EAC	TP TC 004/2011, TP TC 020/2011	EAC RU C-

Subject to changes. Please also observe the further product documentation!



Brjansker Zertifizierungsstelle

DE.AM02.
B.00111
/19

Optional accessories

Mounting

Current transformer terminal block

**Item no.: 2007-8874**Compact terminal block; for current and voltage transformers; 6,00 mm²; multicolouredwww.wago.com/2007-8874**Item no.: 2007-8877**Compact terminal block; for current transformer circuit; 6,00 mm²; multicolouredwww.wago.com/2007-8877**Item no.: 2007-8875**Compact terminal block; for current transformer circuit; 6,00 mm²; multicolouredwww.wago.com/2007-8875**Item no.: 2007-8876**Compact terminal block; for 3-phase current transformer circuit; 6,00 mm²; multicolouredwww.wago.com/2007-8876**Item no.: 2007-8873**Compact terminal block; for current and voltage transformers; 6,00 mm²; multicolouredwww.wago.com/2007-8873

Signal conditioner

Power measurement module

**Item no.: 2857-570/024-001**

3-Phase Power Measurement Module; 3x277/480 V/1 A; Modbus RTU; Digital output; Configuration via software; Supply voltage: 24 VDC

www.wago.com/2857-570/024-001**Item no.: 2857-570/024-005**

3-Phase Power Measurement Module; 3x277/480 V/5 A; Modbus RTU; Digital output; Configuration via software; Supply voltage: 24 VDC

www.wago.com/2857-570/024-005**Item no.: 2857-570/024-000**

3-Phase Power Measurement Module; 3x277/480 V/RC; Modbus RTU; Digital output; Configuration via software; Supply voltage: 24 VDC

www.wago.com/2857-570/024-000

Voltage signal conditioner

Subject to changes. Please also observe the further product documentation!

WAGO GmbH & Co. KG

Hansastr. 27

32423 Minden

Phone: +49571 887-0 | Fax: +49571 887-169

Email: info.de@wago.com | Web: www.wago.com

Do you have any questions about our products?

We are always happy to take your call at +49 (571) 887-44222.



Item no.: 857-560

Voltage signal conditioner; Voltage input signal; Current and voltage output signal; Digital output; Configuration via software; Supply voltage: 24 VDC; 6 mm module width

www.wago.com/857-560

Current signal conditioner



Item no.: 857-569

Power signal conditioner; Current and voltage input signal; Current and voltage output signal; Digital output; Configuration via software; Supply voltage: 24 VDC; 6 mm module width

www.wago.com/857-569

Downloads

Documentation

Bid Text

855-8004 docx - Datei	2019 Feb 20	docx 17.6 kB	Download
855-8004 X81 - Datei	2019 Feb 19	xml 5.1 kB	Download

Instruction Leaflet

Potentialabgriffe		pdf 79.6 kB	Download
-------------------	--	----------------	----------

Additional Information

Disposal and Recycling Electrical and electronic equipment, Batteries, Packaging	V 1.1.0 2022 Aug 18	pdf 2.2 MB	Download
---	------------------------	---------------	----------

Environmental Product Compliance

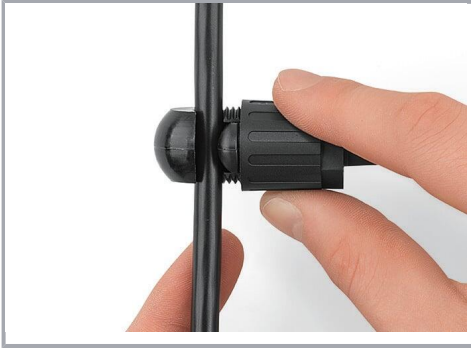
Compliance Search

Environmental Product Compliance 855-8004 Power tap; without fuse; 10 mm ² (8 AWG) - 16 mm ² (6 AWG); N-conductor		URL	Download
--	--	-----	----------

Installation Notes

Installation

Subject to changes. Please also observe the further product documentation!



Installation on an insulated conductor with insulation displacement connection (IDC)

Subject to changes. Please also observe the further product documentation!