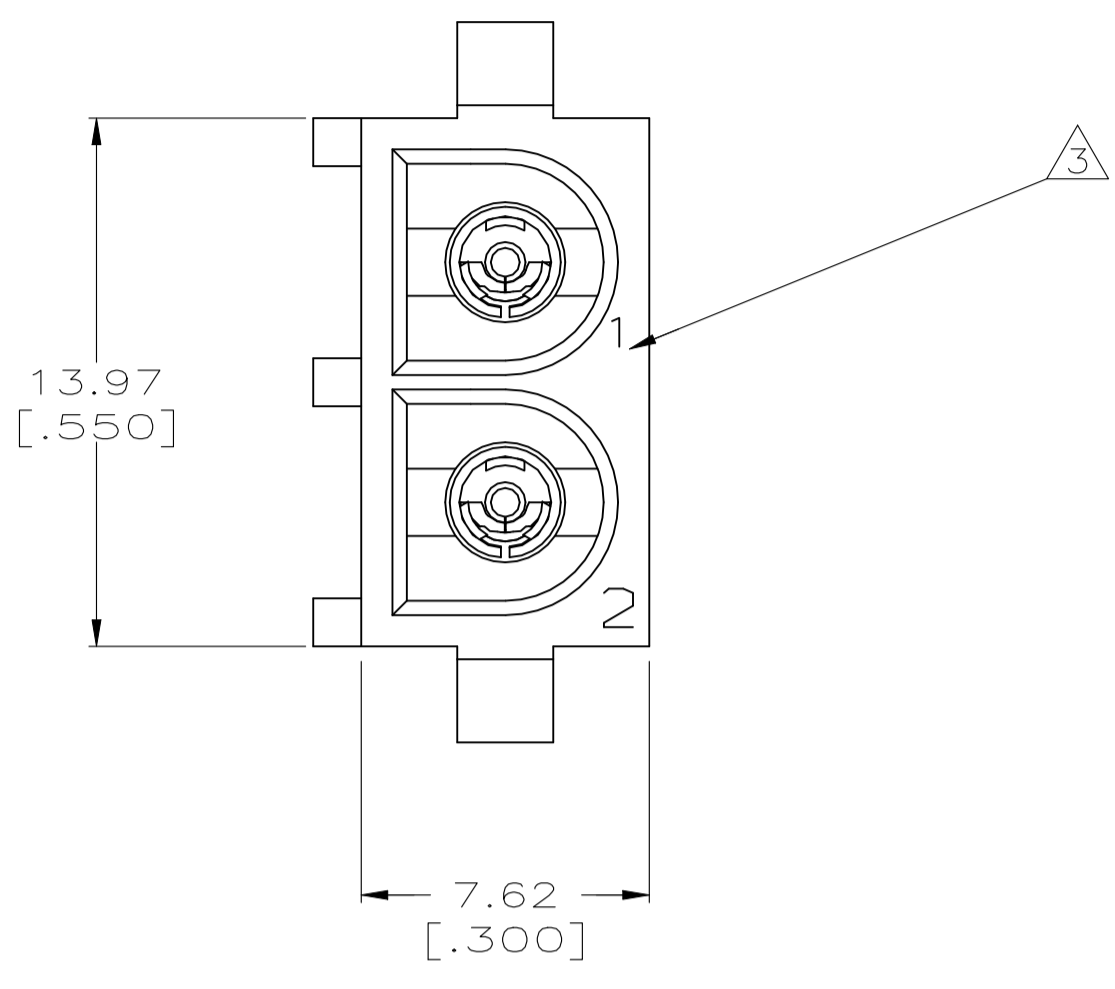
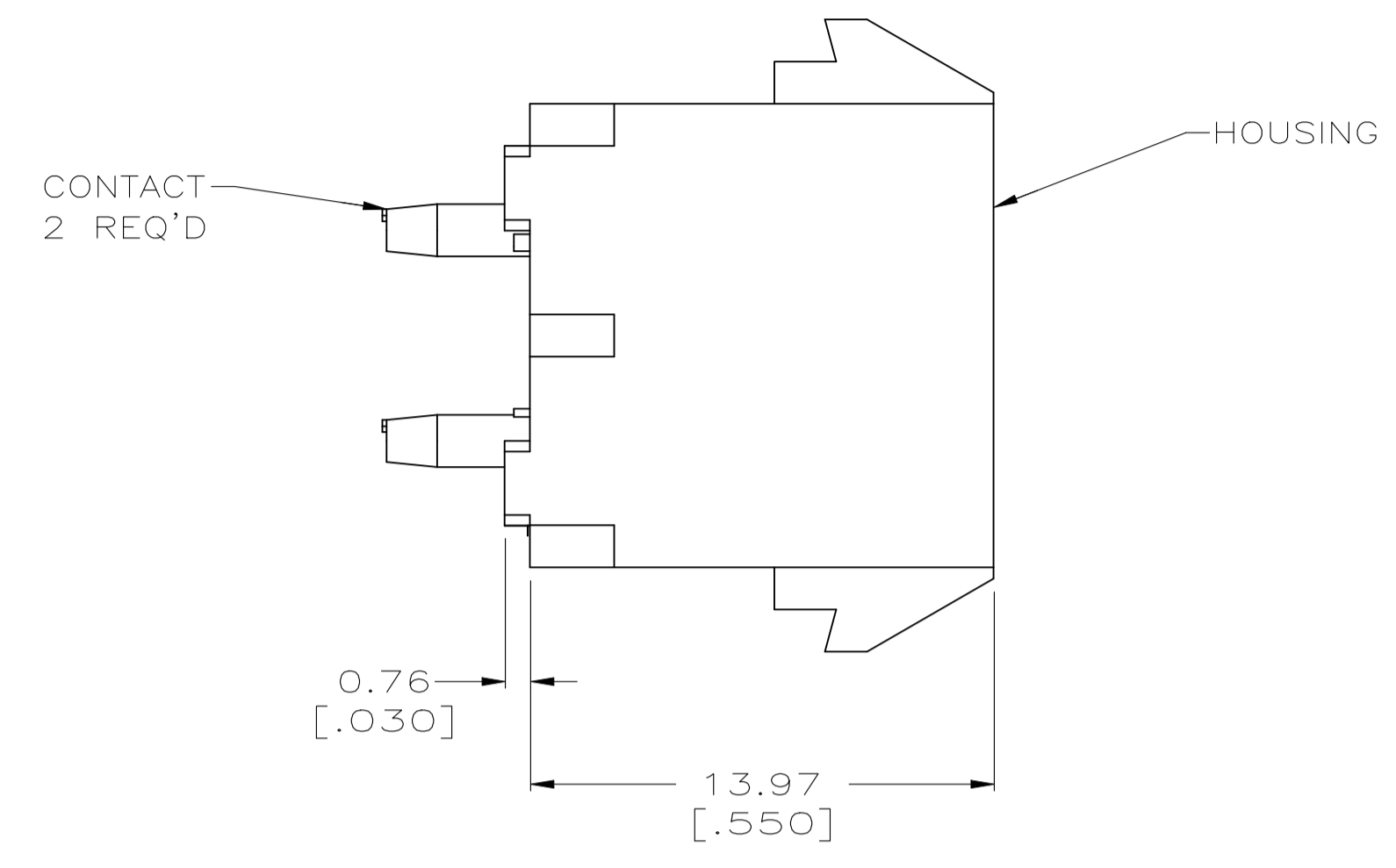
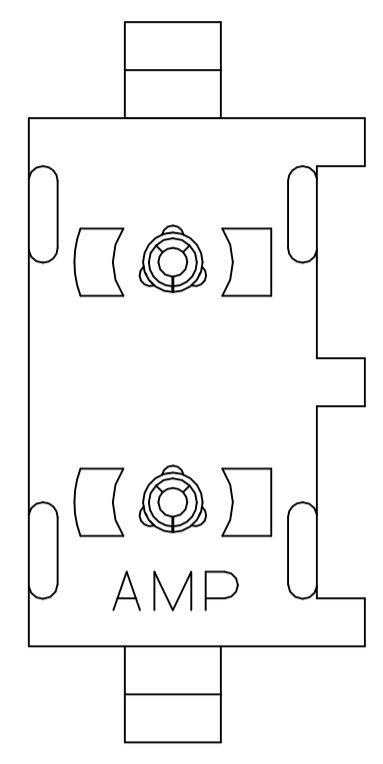
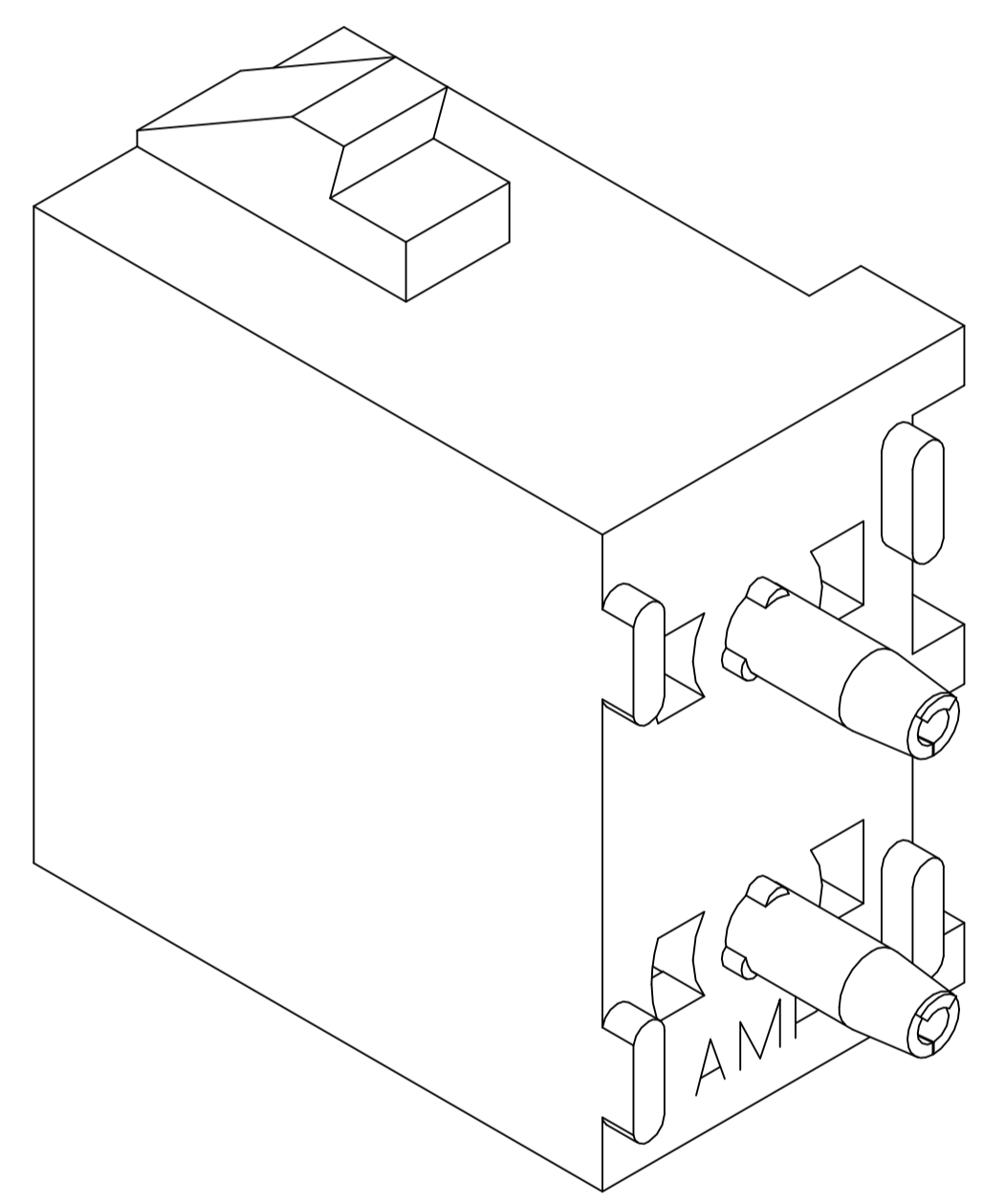


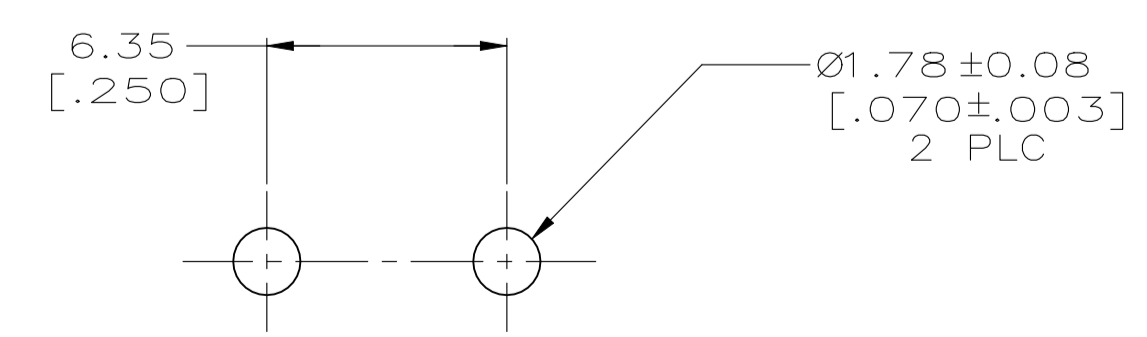
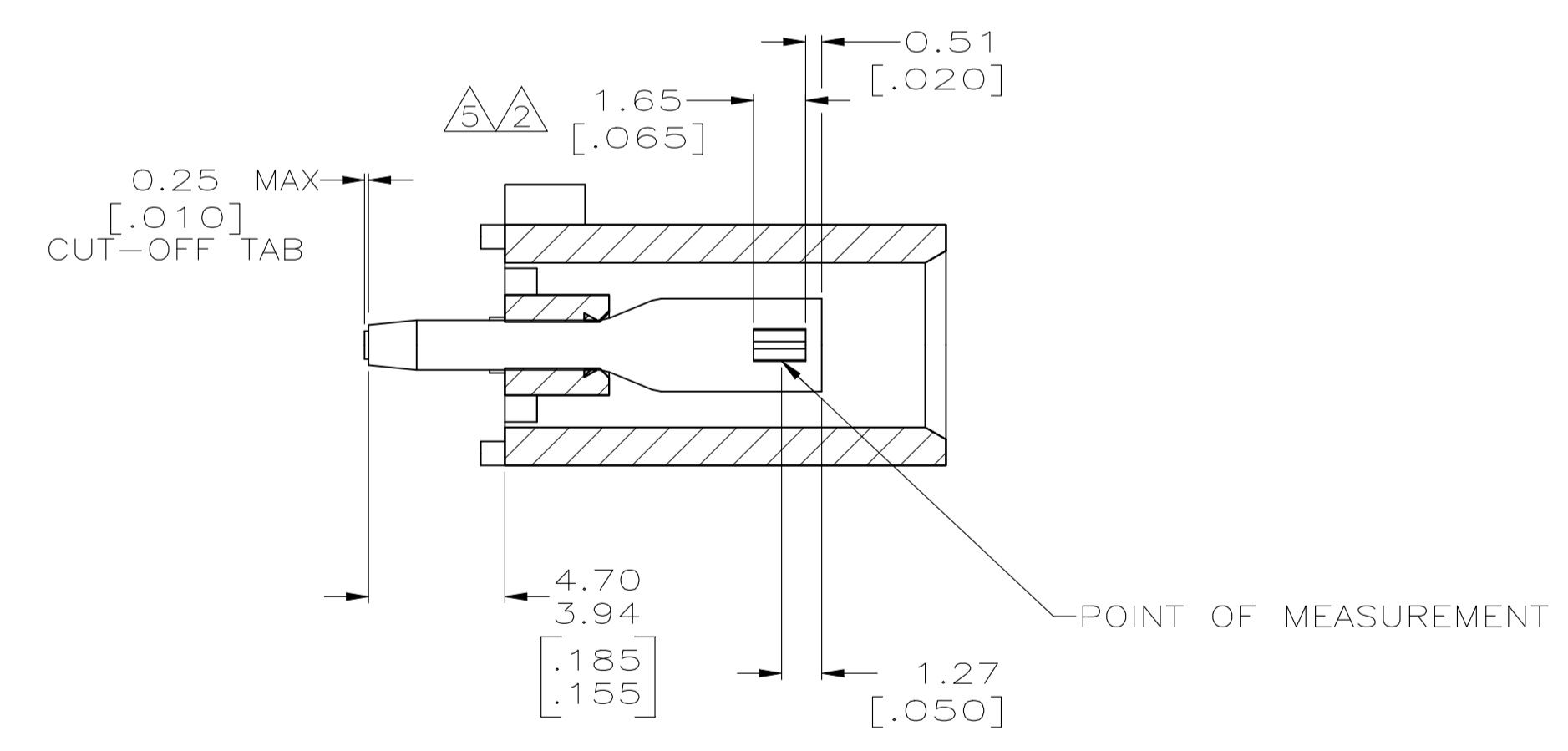
REVISIONS					
REV	DATE	DESCRIPTION	BY	CHK	APP'D
N2	28JUL2022	REVISED PER ECR-21-118795	SK	VS	



- 1 PARTS COMPLY TO AMP SOLDERABILITY SPECIFICATION 109-11-3.
- 2 CONTACT IS PLATED OVERALL WITH 0.00127 [.000050] NICKEL, THEN 0.00076 [.000030] GOLD OVER CONTACT LENGTH INDICATED AND MATTE TIN LEAD ON SOLDER TAIL END.
- 3 CIRCUIT IDENTIFICATION CHARACTERS ARE ADJACENT TO THE INDICATED CAVITIES, BUT LOCATION AND ORIENTATION MAY DIFFER FROM PRINT.
- 4 DIMENSIONS IN BRACKETS ARE IN INCHES.
- 5 CONTACT IS PLATED OVERALL WITH 0.00127 [.000050] NICKEL, THEN 0.00076 [.000030] GOLD OVER CONTACT LENGTH INDICATED AND MATTE TIN ON SOLDER TAIL END.
- 6 SUPERSEDED BY 350824-4
- 7 DIMENSIONS WITH REPRESENT PRODUCT IN DRY CONDITION. ADDITIONAL 2% GROWTH DUE TO END USE LOCATION MOISTURE ABSORPTION MAY OCCUR AND SHOULD BE ACCOUNTED FOR.



3-DIMENSIONAL MODEL NTS



RECOMMENDED MOUNTING HOLE PATTERN FOR 1.57 [.062] THICK P.C. BOARD

PHOSPHOR BRONZE, GOLD	NYLON,UL94V-0,WHITE	350824-4
PHOSPHOR BRONZE, GOLD	NYLON,UL94V-0,WHITE	350824-2
PHOSPHOR BRONZE, PRE-TIN	NYLON,UL94V-0,WHITE	350824-1
CONTACT MATERIAL AND FINISH	HOUSING MATERIAL	PART NUMBER

THIS DRAWING IS A CONTROLLED DOCUMENT.		DIN 8-19-98	TE Connectivity	
DIMENSIONS: mm [INCHES]		0 PLC ± -	DRAWING NO. A1 00779C=350824	
TOLERANCES UNLESS OTHERWISE SPECIFIED:		1 PLC ± -	SCALE 5:1 SHEET 1 of 1 REV N2	
TOLERANCES UNLESS OTHERWISE SPECIFIED:		2 PLC ± -	RESTRICTED TO	
TOLERANCES UNLESS OTHERWISE SPECIFIED:		3 PLC ± 0.13 [.005]	CUSTOMER DRAWING	
TOLERANCES UNLESS OTHERWISE SPECIFIED:		4 PLC ± -	APPLICATION SPEC	
TOLERANCES UNLESS OTHERWISE SPECIFIED:		ANGLES ± ± 0°30'	WEIGHT 0.000000	
MATERIAL SEE TABLE		FINISH SEE TABLE	SIZE CAGE CODE DRAWING NO. A1 00779C=350824	