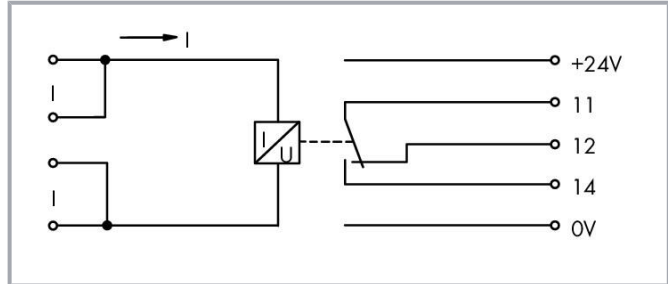


Data sheet | Item number: 286-664

Current flow monitoring module; AC currents; Monitoring range: 0.2 A – 3 A;
1 changeover contact; light gray



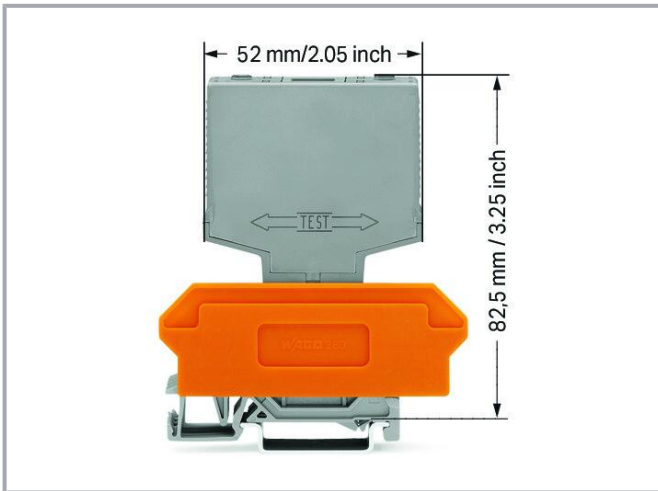
www.wago.com/286-664



Subject to changes. Please also observe the further product documentation!

WAGO GmbH & Co. KG
Hansastr. 27
32423 Minden
Phone: +49571 887-0 | Fax: +49571 887-169
Email: info.de@wago.com | Web: www.wago.com

Do you have any questions about our products?
We are always happy to take your call at +49 (571) 887-44222.



Data

Electrical data

Nominal operating voltage	DC 24 V
Current consumption at nominal supply voltage	≤ 17 mA
Voltage drop at input	44 ... 430 mV
Measurement span (max.)	0.2 ... 3 AAC
Switching threshold (adjustable) min.	0.2 A
Response time	300 ms
Number of changeover/switchover contacts	1
Number of break/switch-off contacts	1
Limiting continuous current	5 A
Switching voltage (max.)	AC 250 V
Switching power (resistive) max.	AC 1250 VA
Status indicator	Red LED; Energized relay (current < switching threshold)

Safety and protection

Rated voltage	250 V
Rated surge voltage	4 kV
Pollution degree	2
Dielectric strength, input/output (AC, 1 min)	1.5 kV _{rms}

Physical data

Height from upper-edge of DIN-rail	82.5 mm / 3.25 inches
------------------------------------	-----------------------

Subject to changes. Please also observe the further product documentation!



Depth	52 mm / 2.047 inches
-------	----------------------

Mechanical Data

Mounting type	Pluggable module for receptacle terminal blocks
Housing design	Plug for carrier terminal blocks

Material Data

Color	light gray
Fire load	9.713 MJ
Weight	58 g

Environmental requirements

Ambient temperature (operation)	-25 ... +40 °C
Ambient temperature (storage)	-40 ... +70 °C
Relative humidity	5 ... 95 % (no condensation permissible)
Operating altitude (max.)	2000 m

Commercial data

Product Group	6 (INTERFACE ELECTRONIC)
eCl@ss 10.0	27-37-18-02
eCl@ss 9.0	27-37-18-02
ETIM 8.0	EC001440
ETIM 7.0	EC001440
PU (SPU)	10 (1) pcs
Packaging type	Box
Country of origin	DE
GTIN	4050821654407
Customs tariff number	85364900990

Environmental Product Compliance

CAS-No.	7439-92-1 79-94-7
REACH Candidate List Substance	2,2',6,6'-tetrabromo-4,4'-isopropylidenediphenol Lead
RoHS Compliance Status	Compliant, With Exemption
RoHS Exemption	6(c) 7(a)


Subject to changes. Please also observe the further product documentation!

7(c)-I
7(c)-II

SCIP notification number (Bulgaria)	98f1e7db-5d3f-4985-ba66-d049a4d62a4c
SCIP notification number (Czech Republic)	626b9169-c297-4aa1-a143-52c79b974e50


Approvals / Certificates

General approvals

Logo	Approval	Additional Approval Text	Certificate name
	EAC Brjansker Zertifizierungsstelle	TP TC 020/2011	EAC_Certificate_RU_C-DE.AM02.B.00115_19

Optional accessories

Marking accessories

Marker		
	Item no.: 209-701 WSB marking card; as card; not stretchable; plain; snap-on type; white	www.wago.com/209-701

Downloads

Documentation

Bid Text

286-664 X81 - Datei	2019 Feb 19	xml 3.8 kB	Download
286-664 doc - Datei	2015 Apr 2	doc 25.6 kB	Download

Instruction Leaflet

		pdf 1.3 MB	Download
--	--	---------------	----------

Additional Information

Disposal and Recycling Electrical and electronic equipment, Batteries, Packaging	V 1.1.0 2022 Aug 18	pdf 2.2 MB	Download
---	------------------------	---------------	----------

Subject to changes. Please also observe the further product documentation!



CAD/CAE-Data

CAD data

2D/3D Models 286-664	URL	Download
----------------------	---------------------	--------------------------

CAE data

ZUKEN Portal 286-664	URL	Download
----------------------	---------------------	--------------------------

WSCAD Universe 286-664	URL	Download
------------------------	---------------------	--------------------------

Environmental Product Compliance

Compliance Search

Environmental Product Compliance 286-664	URL	Download
--	---------------------	--------------------------

Current flow monitoring module; AC currents; Monitoring range: 0.2 A – 3 A; 1 changeover contact; light gray

Installation Notes

Subject to changes. Please also observe the further product documentation!