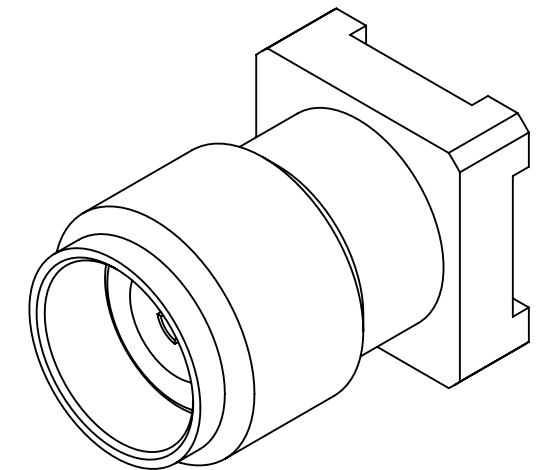
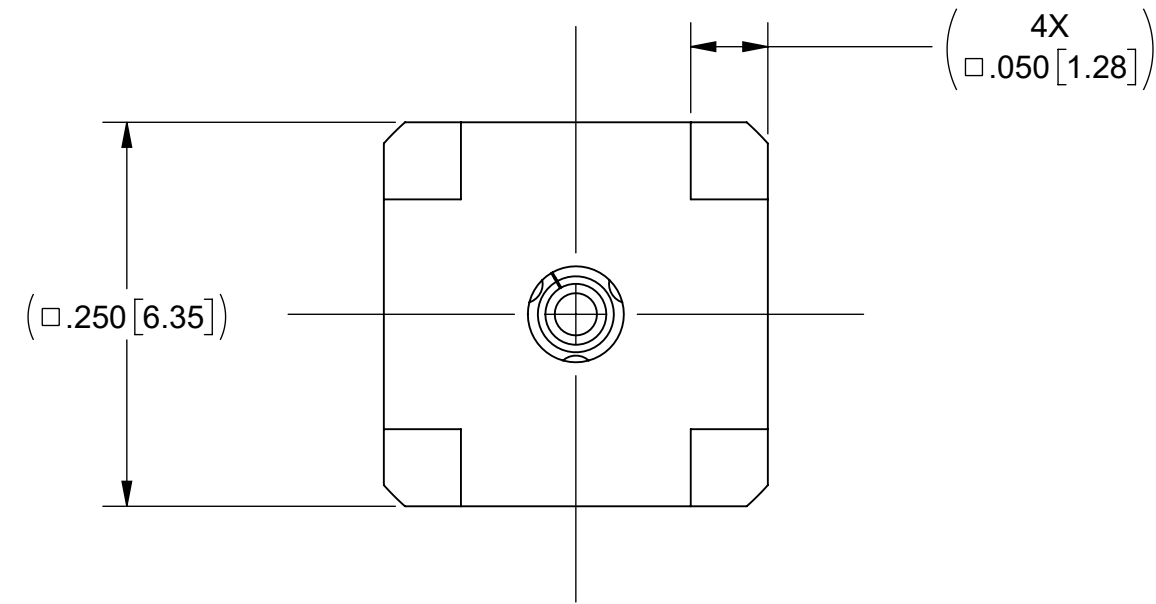
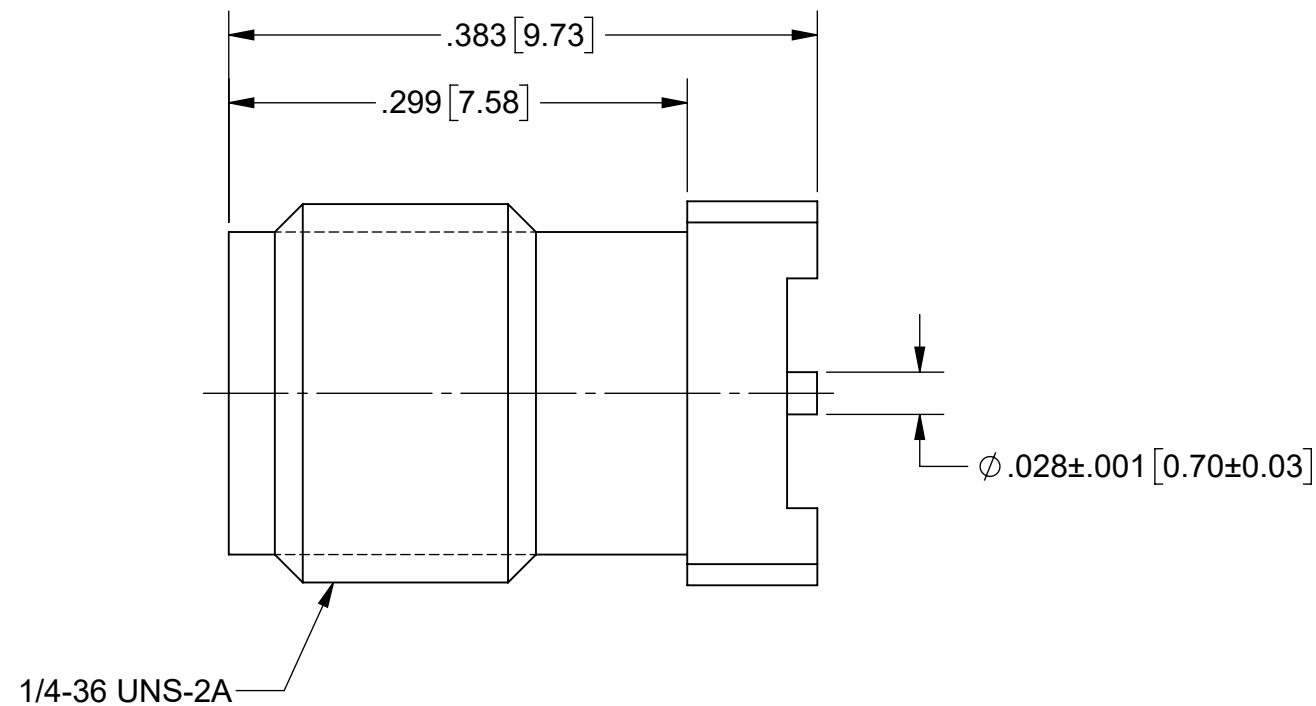


PRODUCT DATA DRAWING

| REVISION HISTORY | | | |
|------------------|-------------|-------|----------|
| REV | DESCRIPTION | DATE | APPROVED |
| - | DCN 51270 | 01/22 | SEE PDM |
| | | | |
| | | | |



MATERIAL:

BODY & INSERT: BRASS PER ASTM B16, ALLOY UNS No. C36000
 CONTACT: BERYLLIUM COPPER PER ASTM B196, ALLOY No. UNS C17300, TD04
 INSULATOR: POLYETHERIMIDE RESIN (ULTEM 1000) PER ASTM D5205

FINISH:

BODY & INSERT: NICKEL PER SAE AMS 2404, CLASS 1
 CONTACT: GOLD PER ASTM B488, TYPE II, CODE C, CLASS .76, OVER NICKEL PER AMS-QQ-N-290, CLASS 1, .00005" MIN.

PERFORMANCE:

IMPEDANCE: 50 OHMS
 FREQ. RANGE: DC TO 40.0 GHz

NOTES:

- FOR RECOMMENDED FOOTPRINT TO YOUR SPECIFIC PCB, CONTACT SV MICROWAVE SALES DEPARTMENT (SALES@SVMICRO.COM, 561-840-1800)

| | | | |
|---|---|--|---|
| MATERIAL: SEE NOTES | DIMENSIONS ARE IN INCHES TOLERANCES: FRACTIONAL: $\pm 1/64$ ANGULAR: X° $\pm 1'0''$ X°X' $\pm 15''$ | UNLESS OTHERWISE SPECIFIED 1) ALL DIMENSIONS ARE IN INCHES (MILLIMETERS) 2) ALL DIMENSIONS ARE AFTER PLATING. 3) BREAK CORNERS & EDGES .005 R. MAX. 4) CHAM. 1ST & LAST THREADS. 5) SURFACE ROUGHNESS 63-MIL-STD-10. 6) DIA: 'S ON COMMON CENTERS TO BE CONCENTRIC WITHIN .005 T.I.R. 7) REMOVE ALL BURRS | TITLE: STR. F. 2.92mm PCB SURFACE MOUNT CONNECTOR |
| FINISH: SEE NOTES | DECIMAL: X $\pm .030$.XX $\pm .010$.XXX $\pm .005$ | INTERPRET DIMENSIONS AND TOLERANCES PER ASME Y14.5M - 1994 | |
| SURFACE AREA: N/A | THIRD ANGLE PROJECTION | DRAWN: JPM 01/13/22 | SIZE DWG. NO. 1521-00008 |
| PROPRIETARY THE INFORMATION CONTAINED IN THIS DRAWING IS THE SOLE PROPERTY OF SV MICROWAVE, INC. ANY REPRODUCTION IN PART OR AS A WHOLE WITHOUT THE WRITTEN PERMISSION OF SV MICROWAVE, INC IS PROHIBITED. | | CHECKED: SEE PDM | SCALE: 8:1 |
| | | APPROVED: SEE PDM | SHEET 1 OF 1 |