

| PART NUMBER | ENG. NO | FINISHED LENGTH |
|-------------|-------------|-------------------|
| 1300240214 | DND10A-M005 | 1FT 8IN [0.5M] |
| 1300240215 | DND10A-M010 | 3FT 3IN [1.0M] |
| 1300240223 | DND10A-M100 | 32FT 10IN [10.0M] |

(B) CABLE LENGTH TOLERANCES

<.3M [1FT]: +19mm-0 [+.75in-0]

.3 - .9M [1 - 3FT]: +44.5mm-0 [+1.75in-0]

.9 - 1.8M [3 - 6FT]: +55.6mm-0 [+2.19in-0]

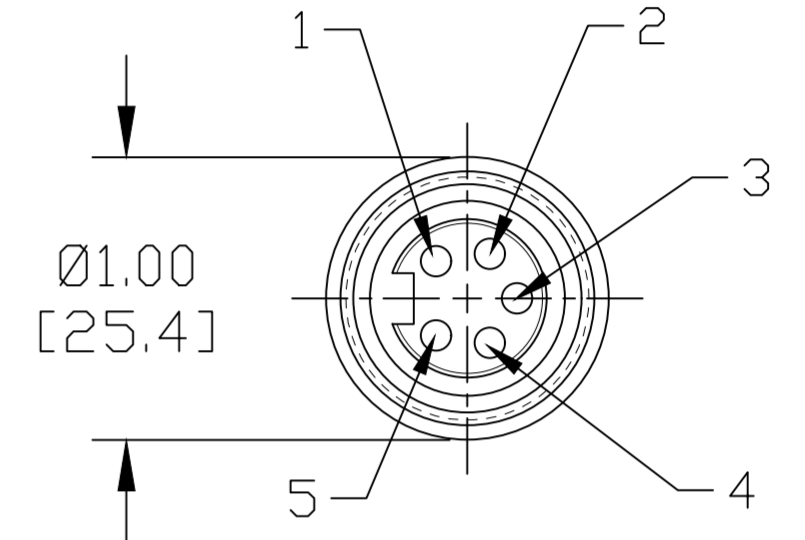
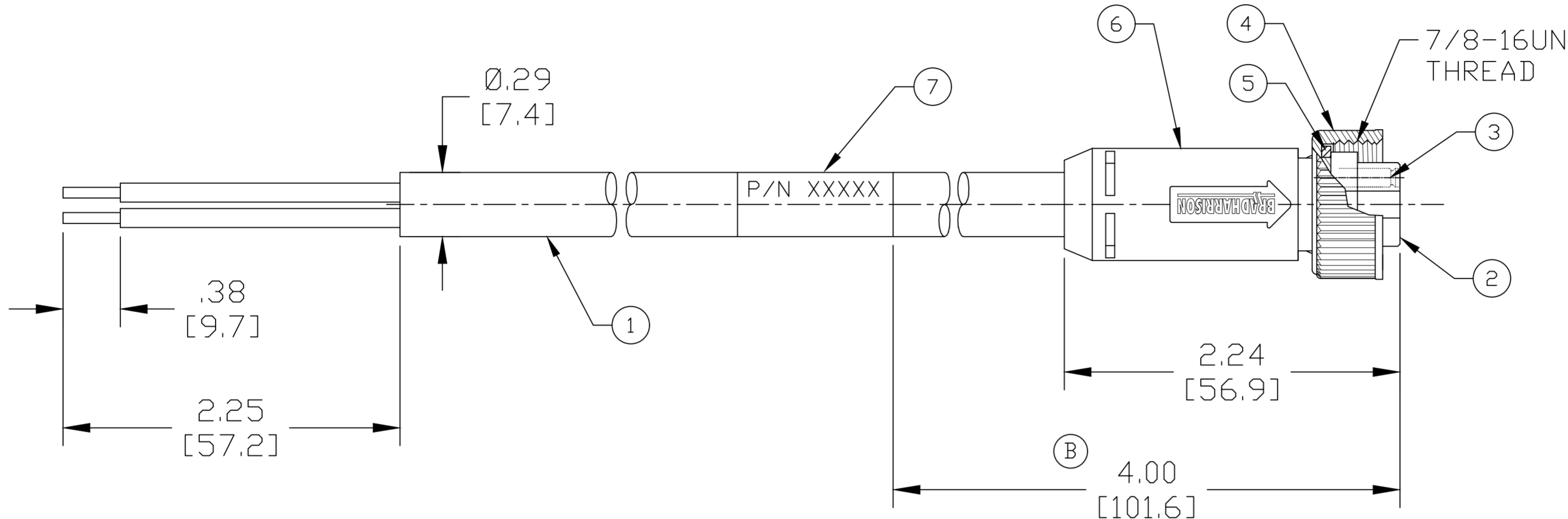
1.8 - 3.7M [6 - 12FT]: +88.9mm-0 [+3.50in-0]

3.7 - 7.3M [12 - 24FT]: +165.1mm-0 [+6.50in-0]

7.3-14.6M [24 - 48FT]: +317.5mm-0 [+12.50in-0]

14.6 - 30.5M [48-100FT]: +622.3mm-0 [+24.50in-0]

OVER 30M [100FT] +2% OF FINISHED LENGTH



WIRING DIAGRAM

| | |
|---|-------|
| 1 | DRAIN |
| 2 | RED |
| 3 | BLACK |
| 4 | WHITE |
| 5 | BLUE |

- NOTES:**
- MATERIAL: AS NOTED
 - FINISH: AS NOTED
 - ELECTRICAL:
VOLTAGE: 300V PER IEC 60664 (B)
300V PER UL 2238
CURRENT: 4A
 - TEMP RATING: -20°C TO +80°C
 - PROTECTION: IP67 (WHEN MATED)
 - COUPLING THREAD: AS NOTED
 - UL RECOGNIZED FILE: E152210
CSA RECOGNIZED FILE: LR6837
 - ALL DIMS ARE FOR REFERENCE UNLESS TOLERANCED OR NOTED OTHERWISE

PART NO. LEGEND

DND10A-M010

CABLE TYPE DEVICE-NET

FINISHED LENGTH
M005----0.5 Meter
M010----1 Meter
M100----10 Meter

| ITEM | DESCRIPTION | MATERIAL | FINISH |
|------|---------------------------|---------------|--------------|
| 7 | WRAP LABEL | VINYL | BLACK/YELLOW |
| 6 | OVERMOLD | TPE (B) | GRAY |
| 5 | FRICTION RING | NYLON | WHITE |
| 4 | COUPLING NUT, INT. THD | ZINC DIE-CAST | BLACK E-COAT |
| 3 | CONTACT SOCKET | COPPER ALLOY | GOLD PLATED |
| 2 | FEMALE INSERT | TPE (B) | BLACK (B) |
| 1 | CABLE, 22AWG DEV-NET DROP | PVC JACKET | GRAY |

THIS DRAWING CONTAINS INFORMATION THAT IS PROPRIETARY TO MOLEX ELECTRONIC TECHNOLOGIES, LLC AND SHOULD NOT BE USED WITHOUT WRITTEN PERMISSION

| | | | | |
|--------------------|--|-------|--|--------------------------------------|
| FUNCTIONAL SYMBOLS | DIMENSION UNITS | SCALE | CURRENT REV DESC: REV NOTES, LABEL DIM WAS 12/14 IN, O-MOLD WAS PVC, INSERT WAS PVC GRAY ADD CABLE LENGTH TOL, UPDATE BORDER | |
| | INCH/MM | NTS | | |
| DIVISIONAL SYMBOLS | GENERAL TOLERANCES (UNLESS SPECIFIED) | | EC NO: 688872 | |
| | 4 PLACES | ±---- | DRWN: RSTONE | 2021/12/14 |
| | 3 PLACES | ±---- | CHK'D: ALEON01 | 2021/12/15 |
| | 2 PLACES | ±---- | APPR: BWOODMAN | 2021/12/15 |
| | 1 PLACE | ±---- | INITIAL REVISION: | |
| | 0 PLACES | ±---- | DRWN: E BRACKEN | 2013/09/12 |
| | ANGULAR TOL ± ---- ° | | APPR: BWOODMAN | 2013/10/07 |
| | DRAFT WHERE APPLICABLE MUST REMAIN WITHIN DIMENSIONS | | THIRD ANGLE PROJECTION | DRAWING C-SIZE |
| | | | SERIES 130024 | DOCUMENT NUMBER SD-130024-018 |
| | | | MATERIAL NUMBER SEE P/N LEGEND | CUSTOMER GENERAL MARKET |
| | | | | DOC TYPE/DOC PART REVISION PSD 001 B |
| | | | | SHEET NUMBER 1 OF 1 |