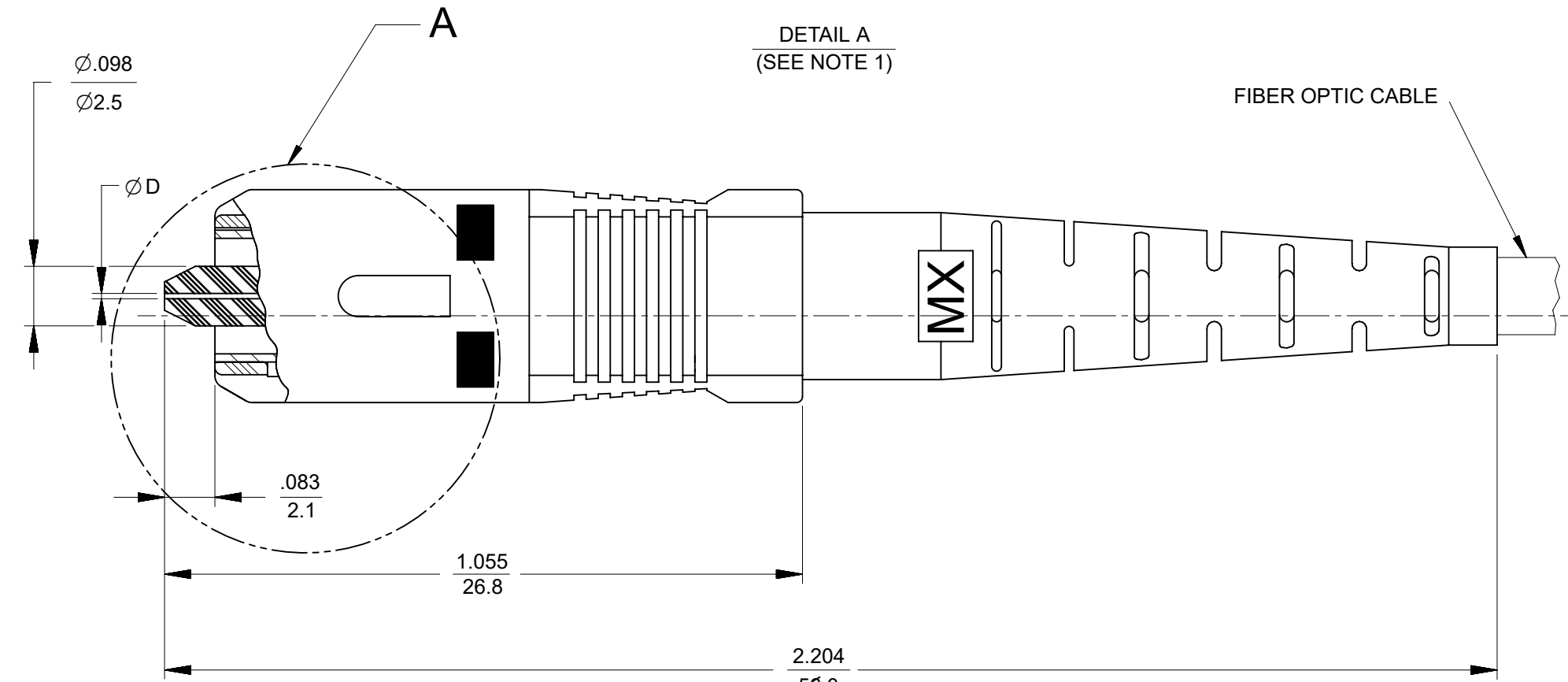
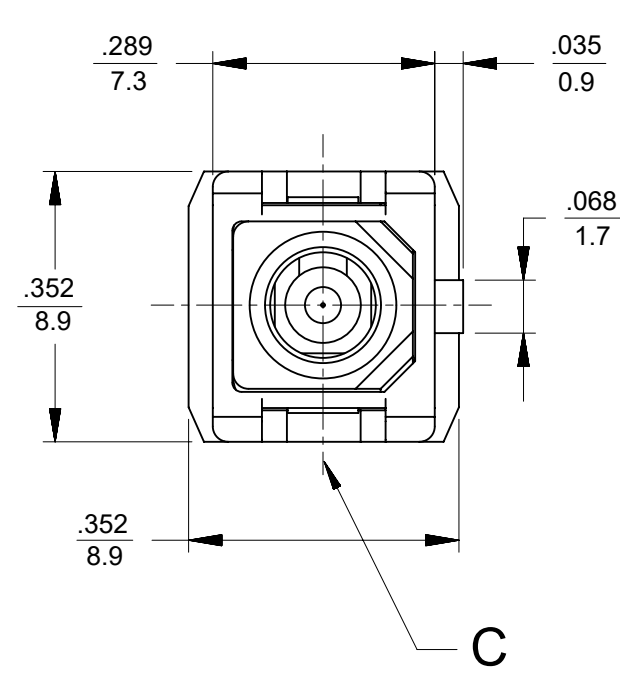
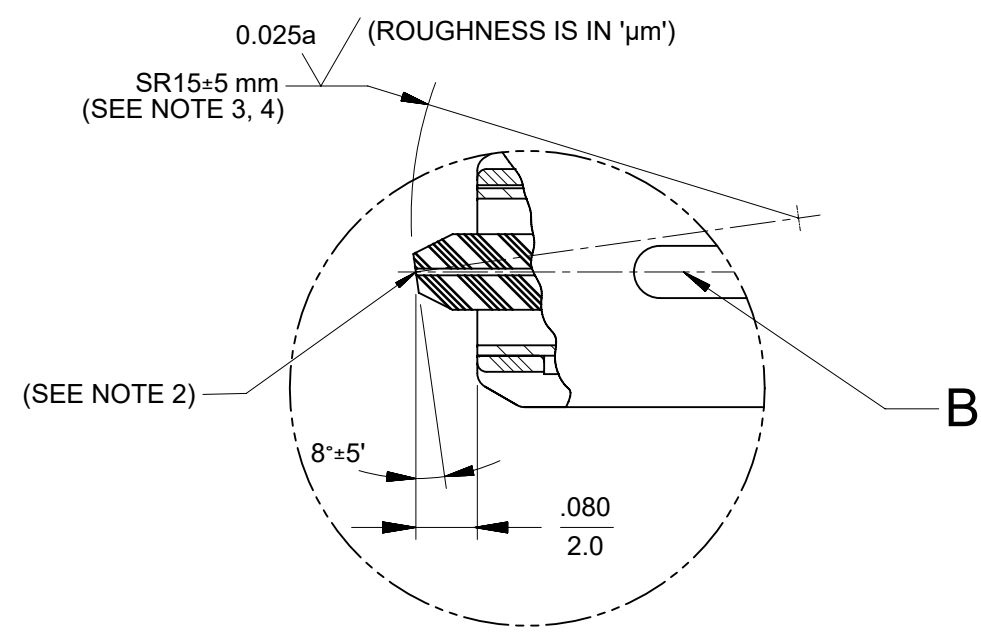


CONNECTOR P/N	∅D (μm)	FIBER OPTIC CABLE SIZE(mm)
106033-2000	125.5 ^{+1.0} / _{-0.0}	3.0
106033-2100		1.6 SIMPLEX
106033-2900		2.0&1.6 DUPLEX



- NOTES:
1. ANGLE POLISHING IS ACCOMPLISHED AFTER CONNECTOR IS TERMINATED WITH FIBER AND TUNED.
 2. FIBER EXTENSION SHALL BE ±50nm.
 3. THE APEX OFFSET OF THE SPHERICAL ENDFACE TO THE AXIS OF THE FERRULE SHALL BE LESS THAN 50 μm.
 4. CENTER OF SR 15±5 mm MUST LIE IN THE PLANE FORMED BY AXES "B" AND "C" . MAXIMUM DEVIATION ±.05 mm.

THIS DRAWING CONTAINS INFORMATION THAT IS PROPRIETARY TO MOLEX ELECTRONIC TECHNOLOGIES, LLC AND SHOULD NOT BE USED WITHOUT WRITTEN PERMISSION											
DIMENSION UNITS INCH		SCALE 4:1		CURRENT REV DESC: REMOVED OBSOLETE PART NUMBER AS PER PCN#510806.				molex		SC APC CONNECTOR (TUNABLE)	
GENERAL TOLERANCES (UNLESS SPECIFIED)				EC NO: 733771 DRWN: SANTHN 2023/01/27 CHK'D: GGA 2023/02/24 APPR: GGA 2023/02/24							
4 PLACES ±				INITIAL REVISION:				DOCUMENT NUMBER		DOC TYPE	
3 PLACES ±				DRWN: RPACIFICI 2005/09/29				SD-106033-XX00		PSD	
2 PLACES ±				APPR:				001		A1	
1 PLACE ±				THIRD ANGLE PROJECTION				MATERIAL NUMBER		CUSTOMER	
0 PLACES ±				DRAWING				SEE TABLE		GENERAL MARKET	
ANGULAR TOL ± 0.5°				SERIES				106033		SHEET NUMBER	
DRAFT WHERE APPLICABLE MUST REMAIN WITHIN DIMENSIONS				B-SIZE						1 OF 1	

DOCUMENT STATUS	P1	RELEASE DATE	2023/02/24	12:54:42
-----------------	----	--------------	------------	----------