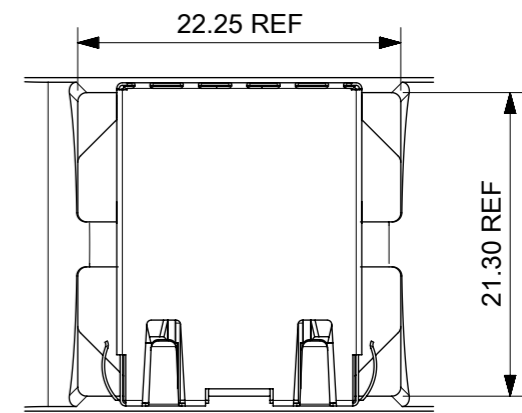
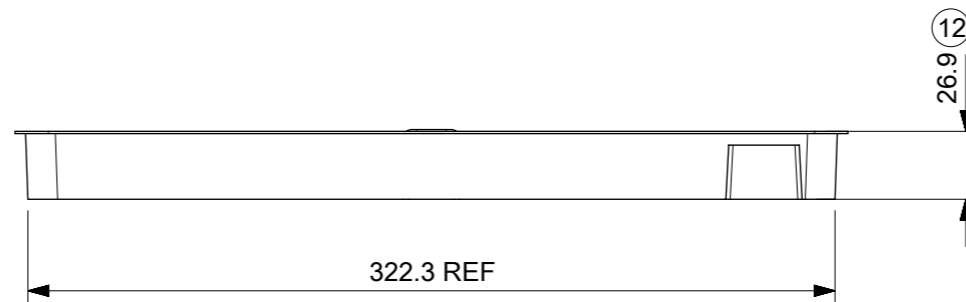
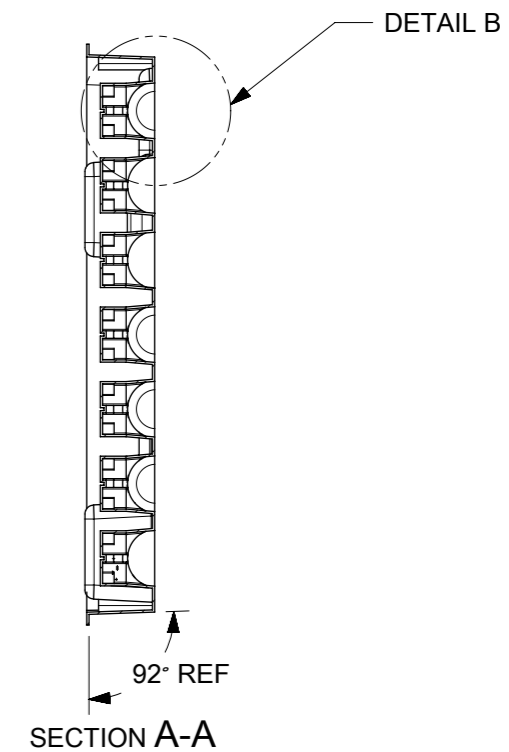
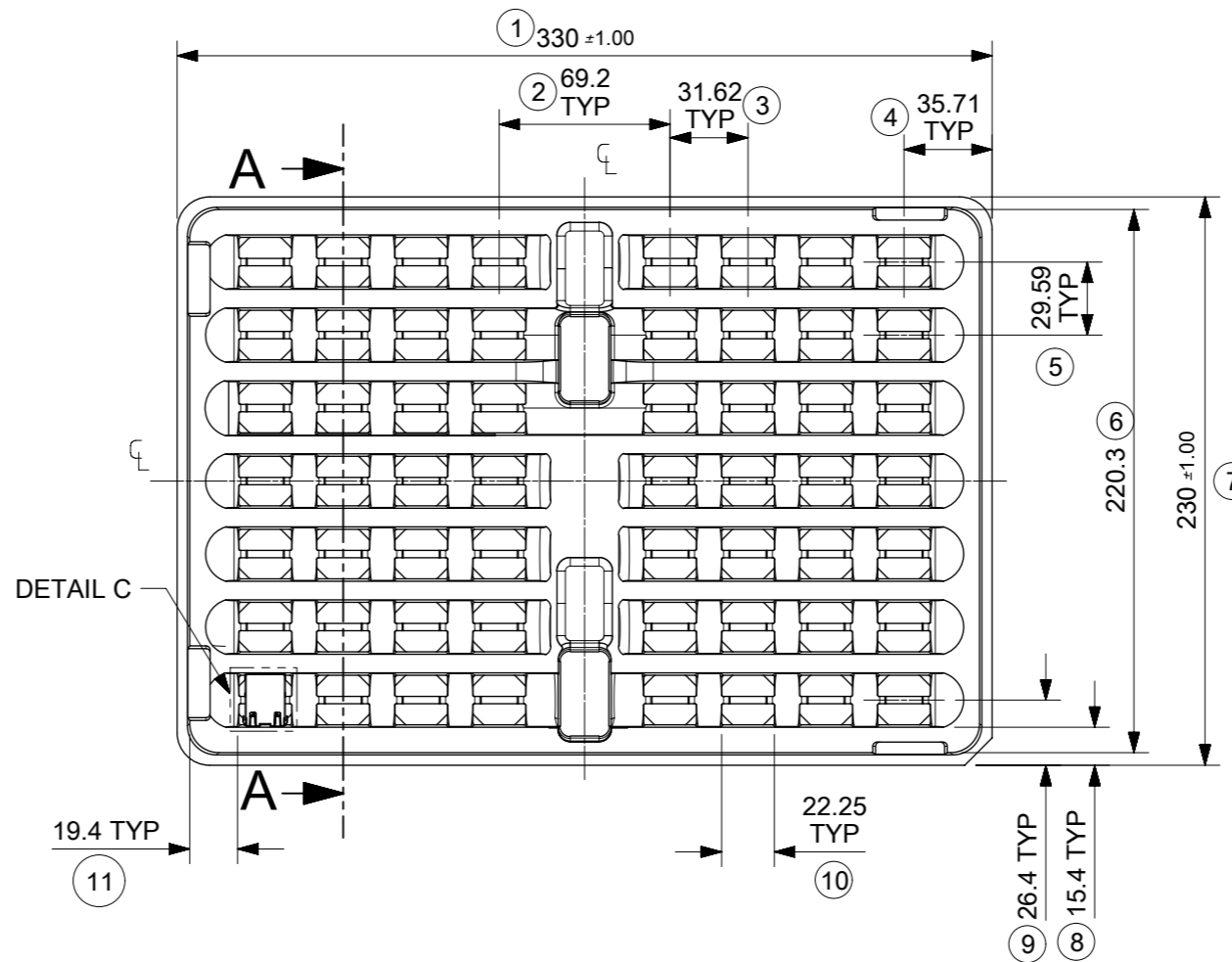


DETAIL B



DETAIL C
SCALE 2:1



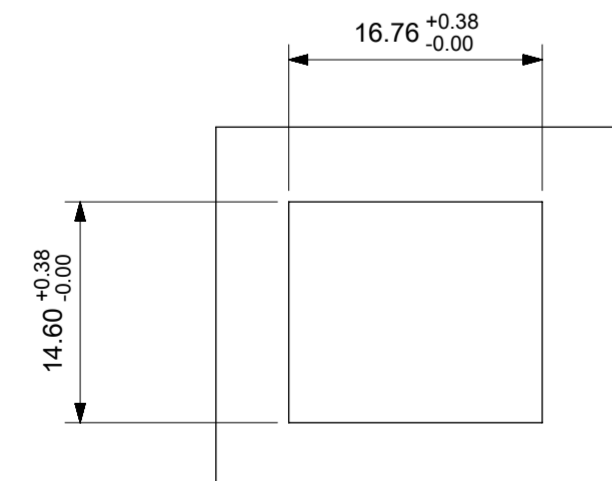
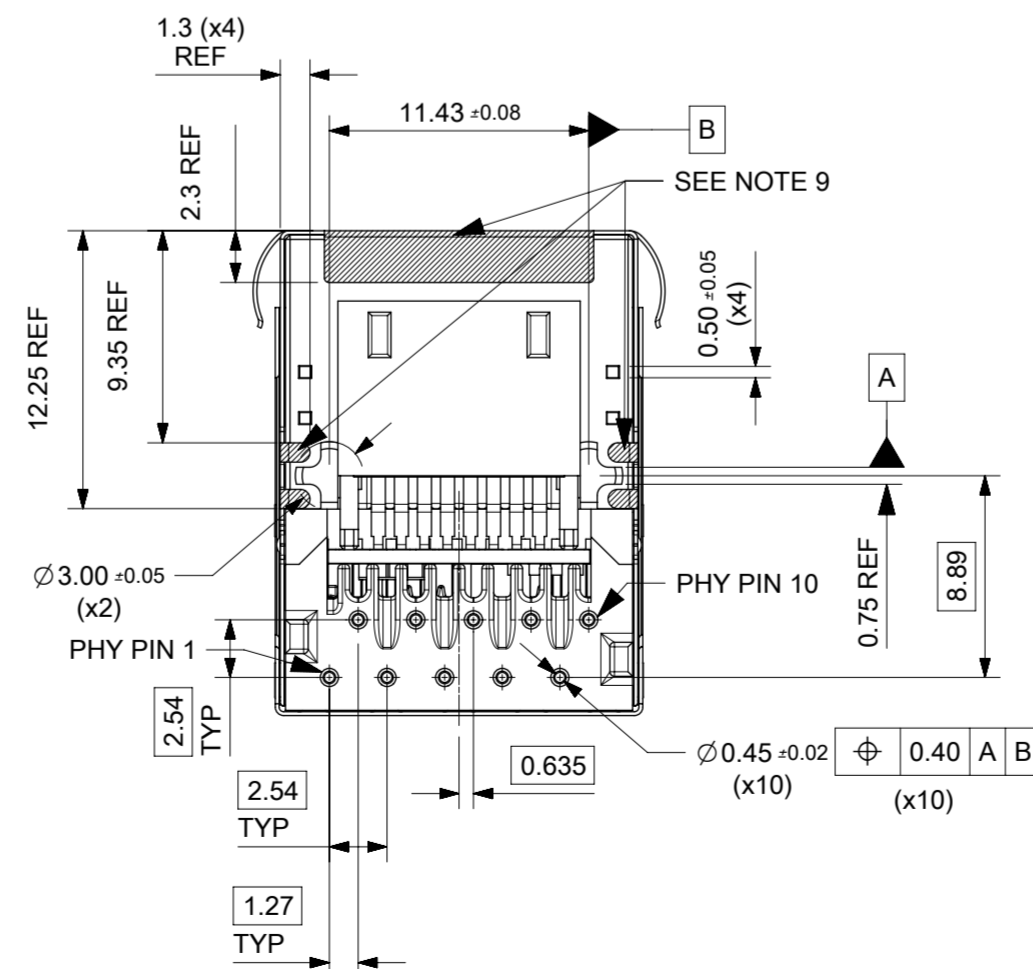
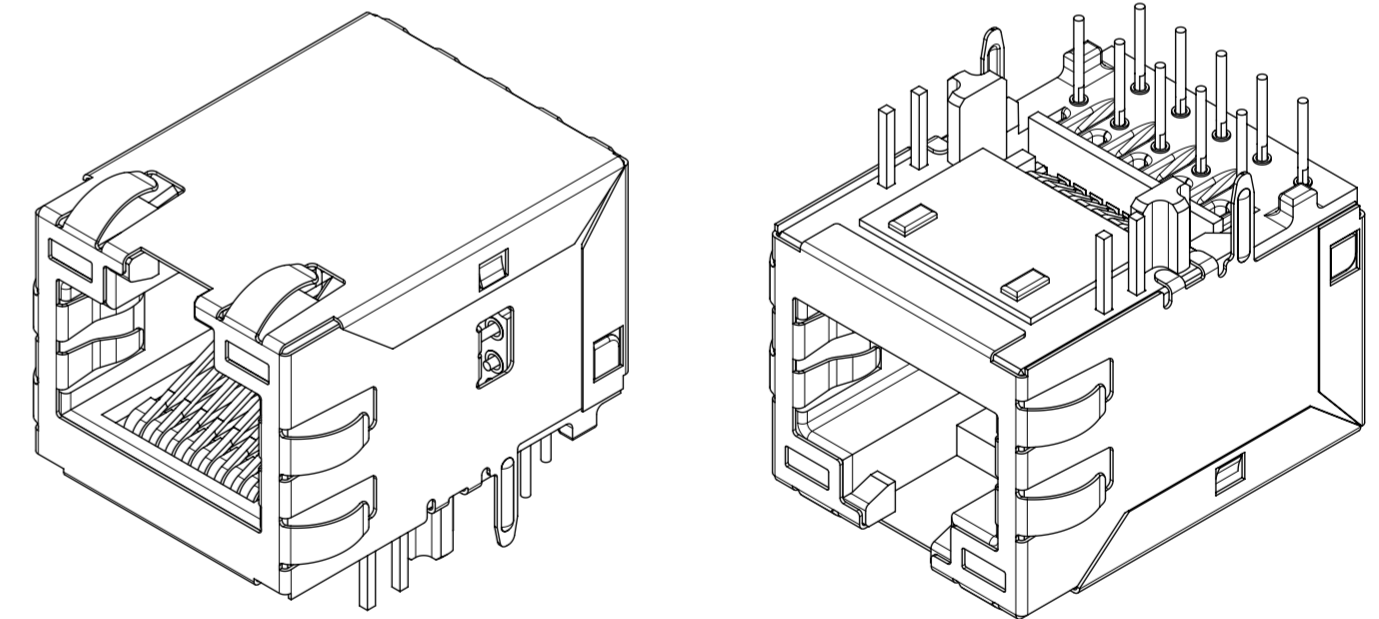
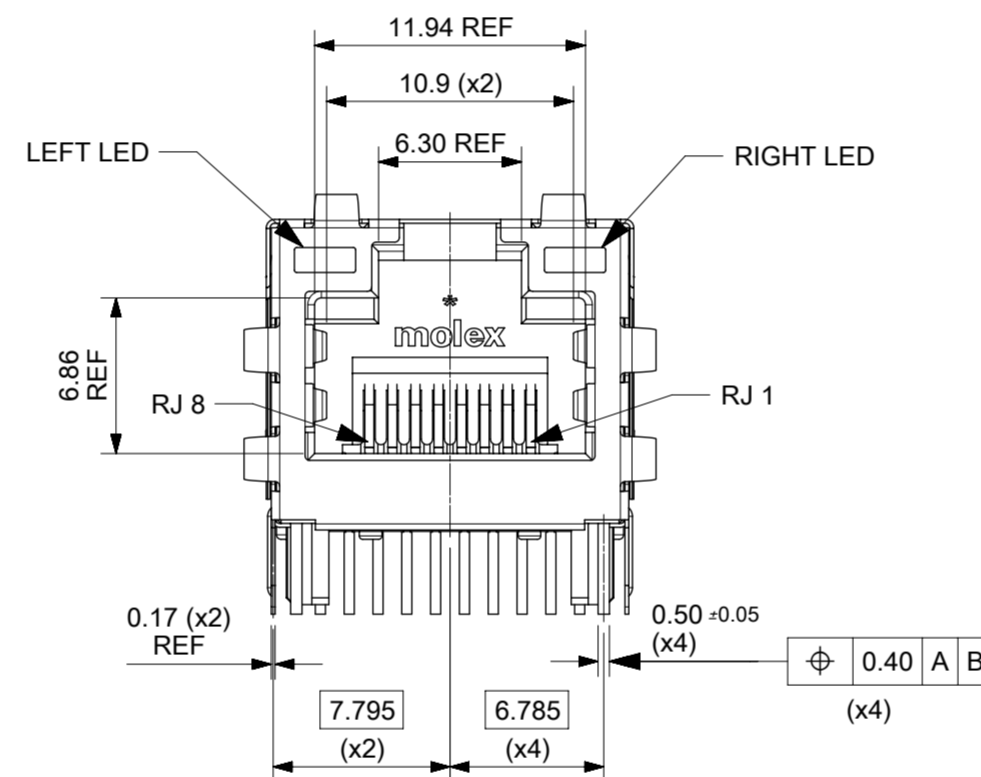
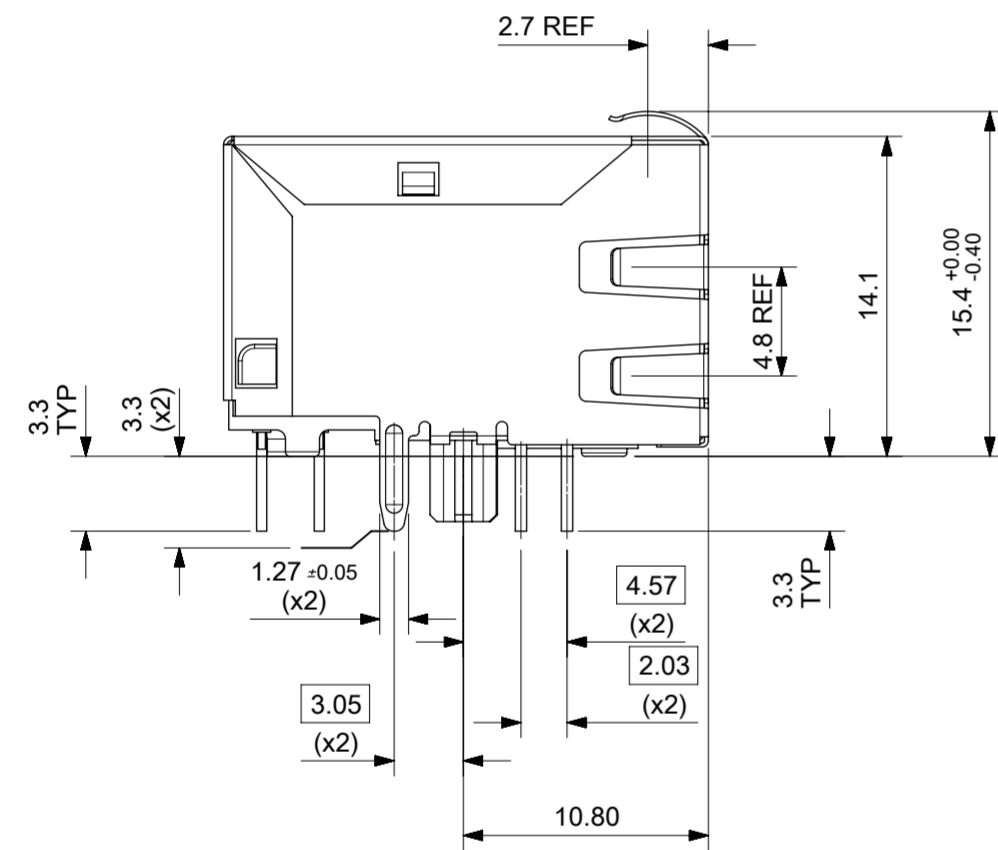
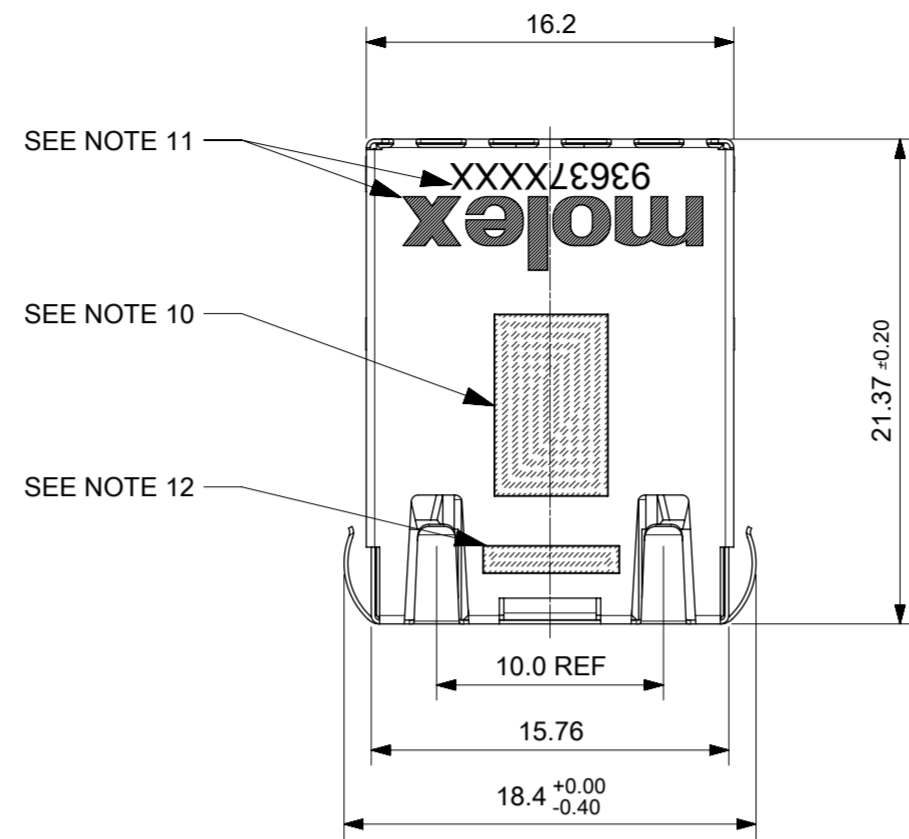
NOTES:

1. MATERIAL: PETA ANTISTATIC
2. THICKNESS: 0.9 mm ± 0.05 mm
3. COLOUR: CLEAR
4. BOW 2 mm MAXIMUM PER 330 mm
5. TWIST 2 mm MAXIMUM PER 330 mm
6. TRAY PART NO. AND RECYCLE LOGO TO BE CLEARLY MARKED ON TRAY
RECYCLE LOGO SHOULD BE APPROPRIATE TO MATERIAL USED
7. WHERE RELEVANT, DIMENSIONS SHOULD BE SYMMETRICAL ABOUT THE CENTRELINE
8. GENERAL PROFILE TOLERANCE $\overline{\cup}$ 0.40 ON NON DIMENSIONED FEATURES

LAST INSPECTION NUMBER USED: 12

THIS DRAWING CONTAINS INFORMATION THAT IS PROPRIETARY TO MOLEX ELECTRONIC TECHNOLOGIES, LLC AND SHOULD NOT BE USED WITHOUT WRITTEN PERMISSION									
DIMENSION UNITS		SCALE		CURRENT REV DESC: REMOVED REFERENCE TO QUANTITY OF TRAYS PER STACK				molex	
mm		1:3							
GENERAL TOLERANCES (UNLESS SPECIFIED)				EC NO: 602124				MXMAG STANDARD AND INVERTED TRAY	
ANGULAR TOL ± 1.0°				DRWN: DSHEA 2018/09/07					
4 PLACES ±				CHK'D: DBYRNES 2019/01/25				PRODUCT CUSTOMER DRAWING	
3 PLACES ±				APPR: DBYRNES 2019/01/25					
2 PLACES ± 0.2				INITIAL REVISION:				DOCUMENT NUMBER	
1 PLACE ± 0.5				DRWN: KREILLY 2016/05/06				934620003	
0 PLACES ±				APPR: STGRIFFIN 2016/12/07				DOC TYPE DOC PART REVISION	
DRAFT WHERE APPLICABLE MUST REMAIN WITHIN DIMENSIONS				THIRD ANGLE PROJECTION		DRAWING		MATERIAL NUMBER	
				A3-SIZE		SERIES		CUSTOMER	
				93462		990250150		GENERAL MARKET	
								SHEET NUMBER	
								1 OF 1	

INVERTED PROFILE MAGNETIC JACK
GIGABIT ETHERNET W/LED
AND W/SHIELD TABS

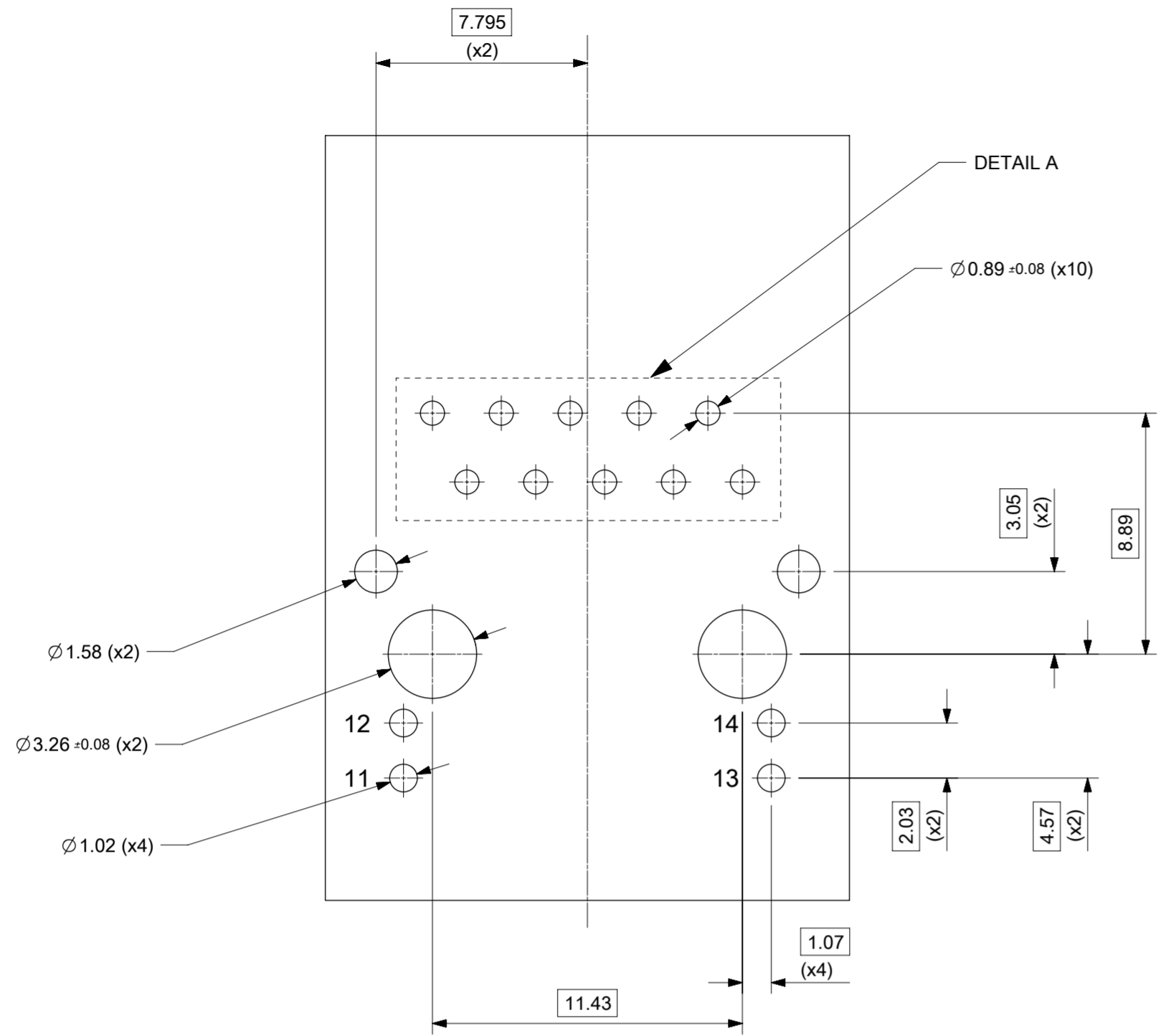


SUGGESTED PANEL CUT-OUT

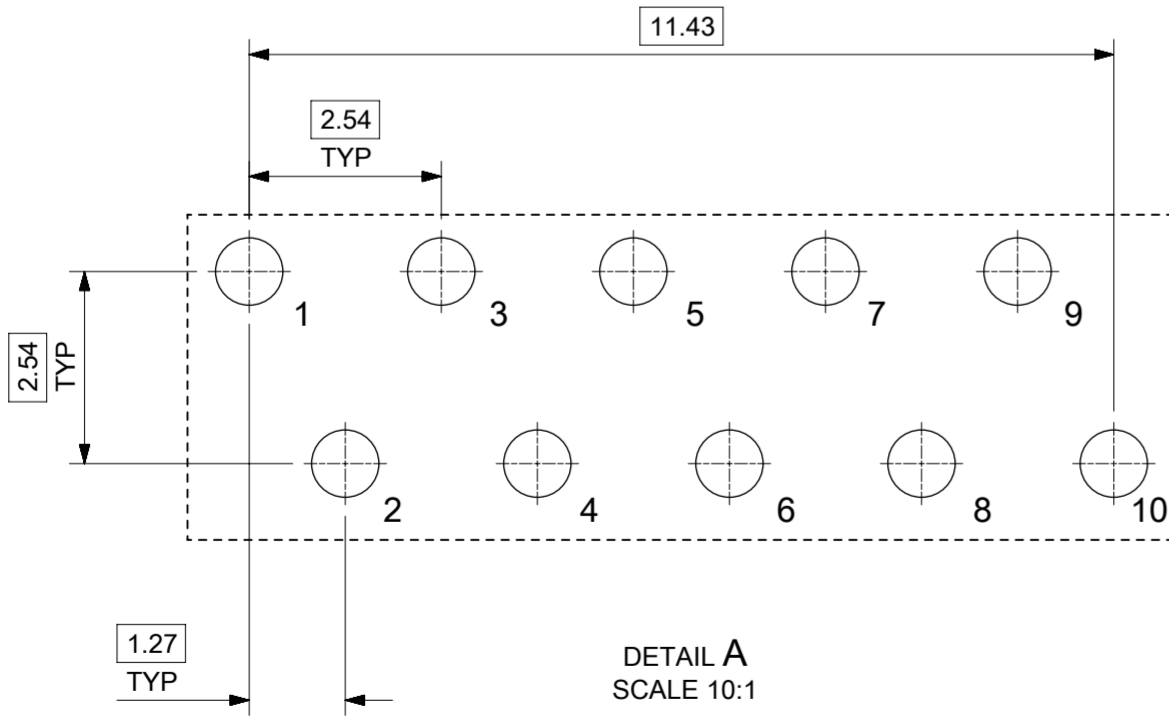
NOTES:

- SHIELD MATERIAL: 0.17 mm THICK BRASS PRE-PLATED WITH NICKEL
SOLDER TABS POST DIPPED WITH MIN 1.27 μm TIN
- HOUSING MATERIAL: LCP, BLACK, UL 94V-0
- TERMINALS MATERIAL: PHOSPHOR BRONZE
RJ45 CONTACTS PLATING: BASE NICKEL PLATED WITH GOLD
FLASH OVER PALLADIUM NICKEL. REFER TO 934620001 PSP
PHY SOLDER TAILS: COPPER ALLOY
- MATING INTERFACE ACCORDING TO IEC 60603-7 & TIA-1096-A
- PRODUCT SPECIFICATION: 934620001 PSP
- PACKAGING SPECIFICATION: 934620001 PSK TRAY
- STAND OFF TO SYSTEM BOARD 0.30 mm MIN
- RECOMMENDED PCB THICKNESS: 1.57 mm
- SHIELD: AVOID ROUTING ANY TRACES
OR PLACING ANY VIAS BELOW THESE AREAS
- AREA FOR PICK AND PLACE: 5.0 mm X 8.0 mm
- INSCRIPTION MARKED BY LASER:
1st : MOLEX
2nd : P/N (SEE BOM)
- INSCRIPTION MARKED BY LASER:
DATE CODE(DAY/WEEK/YEAR)
- MATERIAL COMPLIANT TO RoHS DIRECTIVE 2002/95/EC

THIS DRAWING CONTAINS INFORMATION THAT IS PROPRIETARY TO MOLEX ELECTRONIC TECHNOLOGIES, LLC AND SHOULD NOT BE USED WITHOUT WRITTEN PERMISSION		GENERAL TOLERANCES (UNLESS SPECIFIED)		DIMENSION UNITS	SCALE	molex	
REVISIONS		ANGULAR TOL ± 2.0 °		mm	3:1		
EC NO: 116686	2017/05/09	DRWN: KREILLY	2017/09/12	DRWN BY	DATE	INV MX-MAG 12 CORE GIG W/LEDS W/SHIELDS	
CHKD: DSHEA	2017/09/12	CHKD: DSHEA	2017/09/12	CHK'D BY	DATE	PRODUCT CUSTOMER DRAWING	
APPR: DBYRNES	2017/09/26	APPR BY	DATE	DBYRNES	2017/02/22	SERIES	MATERIAL NUMBER
		STGRIFFIN	2015/11/19	DATE		93637	SEE TABLE ON SHEET 2
		DRAFT WHERE APPLICABLE MUST REMAIN WITHIN DIMENSIONS		DRAWING SIZE	THIRD ANGLE PROJECTION	CUSTOMER	GENERAL MARKET
				A2		DOCUMENT NUMBER	DOC TYPE
						936370003	PSD
						DOC PART	SHEET NUMBER
						000	1 OF 3



SUGGESTED BOARD LAYOUT
GIGABIT VERSION
COMPONENT SIDE
ALL DIMS REFERENC DIMS



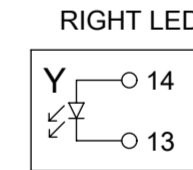
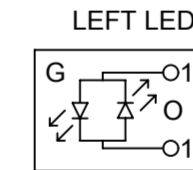
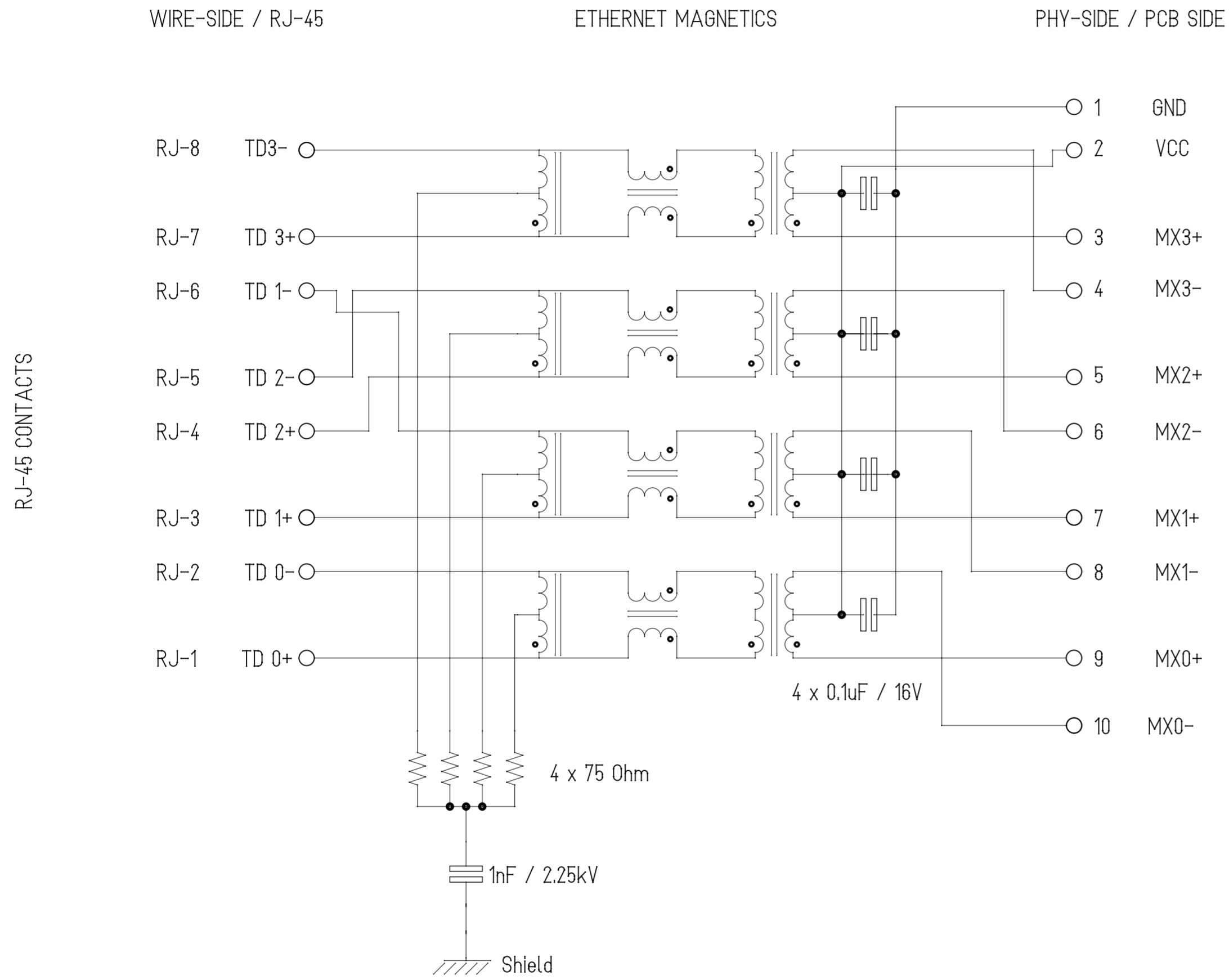
DETAIL A
SCALE 10:1

PIN CONFIGURATION
FOR GIGABIT VERSION

PART NUMBER	LEFT LED	RIGHT LED
93637-8617	GREEN/ORANGE	YELLOW

THIS DRAWING CONTAINS INFORMATION THAT IS PROPRIETARY TO MOLEX ELECTRONIC TECHNOLOGIES, LLC AND SHOULD NOT BE USED WITHOUT WRITTEN PERMISSION									
REVISED EC NO: 116686 DRWN: KREILLY CHKD: DSHEA REV APPR: DBYRNES	2017/05/09	2017/09/12	2017/09/26	GENERAL TOLERANCES (UNLESS SPECIFIED)	DIMENSION UNITS	SCALE			
				mm	5:1				
				ANGULAR TOL ± 2.0 °	DRWN BY	DATE	INV MX-MAG 12 CORE GIG W/LEDS W/SHIELDS		
	4 PLACES	±		KREILLY	2015/09/29				
	3 PLACES	±		CHK'D BY	DATE	PRODUCT CUSTOMER DRAWING			
2 PLACES	±	0.1	DBYRNES	2017/02/22					
1 PLACE	±	0.2	APPR BY	DATE	SERIES MATERIAL NUMBER CUSTOMER 93637 SEE TABLE GENERAL MARKET				
0 PLACES	±		STGRIFFIN	2015/11/19					
DRAFT WHERE APPLICABLE MUST REMAIN WITHIN DIMENSIONS				DRAWING SIZE	THIRD ANGLE PROJECTION	DOCUMENT NUMBER DOC TYPE DOC PART SHEET NUMBER 936370003 PSD 000 2 OF 3			
C				A2					

Description	Value	
OCL @100 kHz, 0.1 V 8 mA DC bias (-40°C to +85°C)	350 μ H min.	
Turns ratio	1CT:1CT	
Transmission characteristics @ 25°C, all four pairs		
Insertion Loss		
Frequency f, (MHz)	Limits (dB max.)	Typical Values (dB max.)
1.0-9.9	0.4+0.1*log(f)	0.5 @ 10 MHz
10-49.9	0.5+0.3*log(f/10)	0.7 @ 50 MHz
50-79.9	1+1.4*log(f/80)	1.0 @ 80 MHz
80-100	1.3+3*log(f/100)	1.3 @ 100 MHz
Return Loss		
Frequency f, (MHz)	Limits (dB min.)	Typical Values (dB min.)
1.0-39.9	18	18 @ 40 MHz
40-100	12-20*log(f/80)	10 @ 100 MHz
CMR		
Frequency f, (MHz)	Limits (dB min.)	Typical Values (dB min.)
1.0-100	30	30 @ 100 MHz
Next		
Frequency f, (MHz)	Limits (dB min.)	Typical Values (dB min.)
1.0-39.9	35	35 @ 40 MHz
40-100	33-20*log(f/50)	27 @ 100 MHz
Isolation PHY to wire side	2.25 kVDC/60sec	



THIS DRAWING CONTAINS INFORMATION THAT IS PROPRIETARY TO MOLEX ELECTRONIC TECHNOLOGIES, LLC AND SHOULD NOT BE USED WITHOUT WRITTEN PERMISSION

REVISED EC NO: 116686 DRWN: KREILLY CHK'D: DSHEA REV APPR: DBYRNES	2017/05/09	2017/09/12	2017/09/26	GENERAL TOLERANCES (UNLESS SPECIFIED)	DIMENSION UNITS	SCALE	
				mm	1:1	DRWN BY KREILLY	
				ANGULAR TOL \pm 2.0 °	DATE		
				4 PLACES \pm	CHK'D BY	DATE	INV MX-MAG 12 CORE GIG W/LEDS W/SHIELDS
				3 PLACES \pm	DBYRNES	2017/02/22	
			2 PLACES \pm 0.1	APPR BY	DATE	PRODUCT CUSTOMER DRAWING	
			1 PLACE \pm 0.2	STGRIFFIN	2015/11/19	SERIES	
			0 PLACES \pm	DRAFT WHERE APPLICABLE MUST REMAIN WITHIN DIMENSIONS		A2	MATERIAL NUMBER 93637
			DRAWING SIZE		THIRD ANGLE PROJECTION	CUSTOMER GENERAL MARKET	
			DOCUMENT NUMBER		DOC TYPE PSD	DOC PART 000	
			SHEET NUMBER 3 OF 3				