

10

9

8

7

6

5

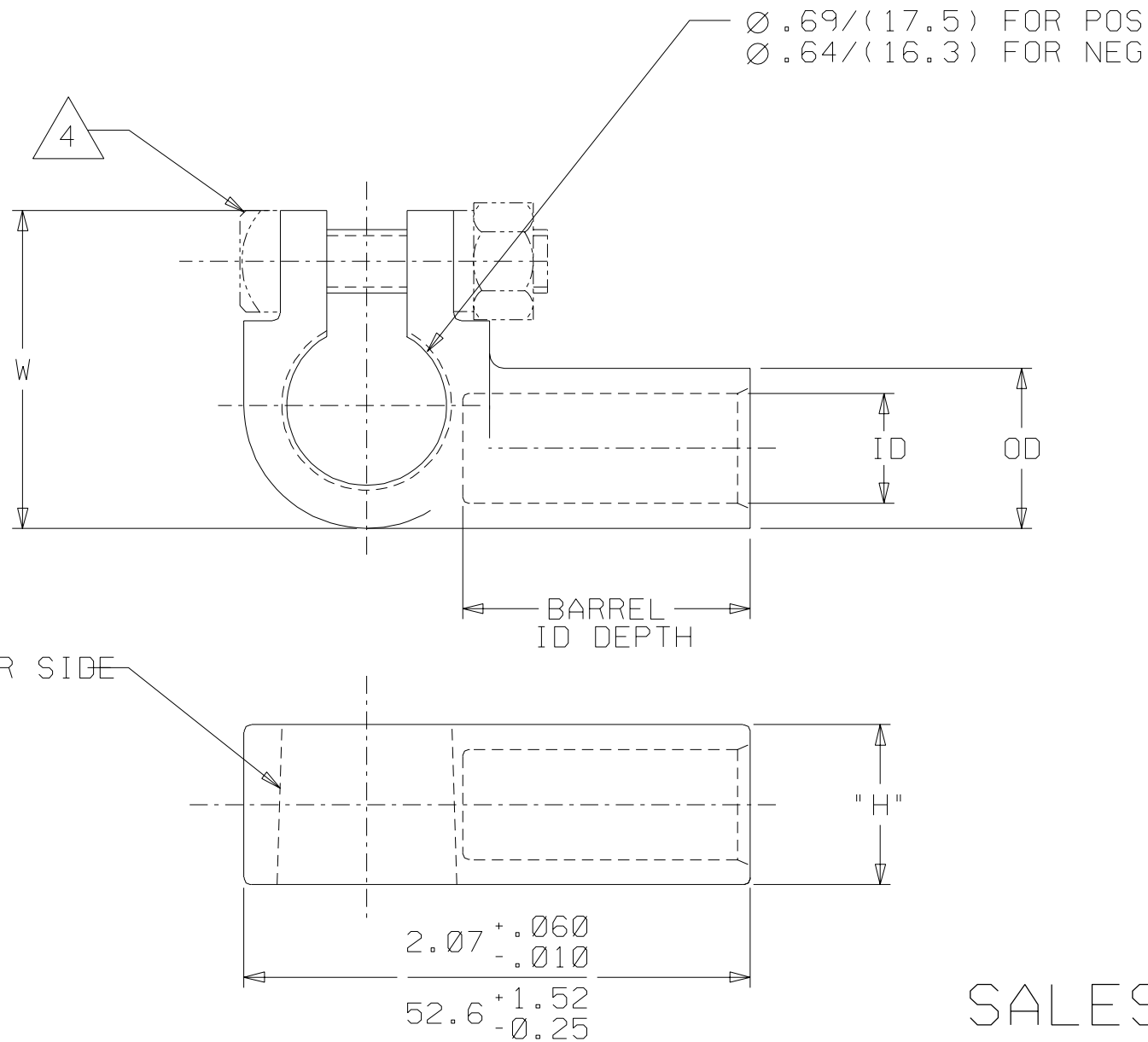
4

3

2

SD-19218-010

MATERIAL NUMBER NEGATIVE	ENGINEERING NUMBER NEGATIVE	MATERIAL NUMBER POSITIVE	ENGINEERING NUMBER POSITIVE	WIRE GAUGE	COLOR CRIMP	BARREL ID	BARREL OD	BARREL ID DEPTH +.030/0.76	"H"	"W" \ .020/0.51
I92180126	SBTR10N	I92180128	SBTR10P	1/0	BLACK	.46/(11.7)	.64/(16.3)	1.16/(29.5)	.65/(16.5)	1.50/(38.1)
I92180130	SBTR20N	I92180132	SBTR20P	2/0	ORANGE	.49/(12.4)	.64/(16.3)	1.16/(29.5)	.65/(16.5)	1.50/(38.1)
I92180134	SBTR30N	I92180136	SBTR30P	3/0	PURPLE	.52/(13.2)	.64/(16.3)	1.16/(29.6)	.65/(16.5)	1.50/(38.1)
I92180138	SBTR40N	I92180140	SBTR40P	4/0	YELLOW	.60/(15.2)	.83/(21.1)	1.07/(27.2)	.71/(18.0)	1.59/(40.4)



NOTES:

- 1. MATERIAL: I31 COPPER.
- 2. FINISH: TIN PLATED.
- 3. INCLUDES 5/16 BOLT & SHOULDER NUT
- 4. 5/16 BOLT & SHOULDER NUT ARE REVERSIBLE.

NEW RELEASE EC NO. ETC2003-0166 DRWN: BRE 02/12/30 CHK: HEB 02/12/30 APPR: RWD 02/12/30	QUALITY SYMBOLS	MAJOR =0	CRITICAL =0
	DESCRIPTION		
A	REV		

GENERAL TOLERANCES: (UNLESS SPECIFIED)	
4 PLACES	±0. ±.
3 PLACES	±0. ±.
2 PLACES	±0. ±.010
1 PLACE	±0.25 ±.
ANGULAR: ±1/2°	
DRAFT WHERE APPLICABLE MUST REMAIN WITHIN DIMENSIONS	

SCALE NO: NE	DESIGN UNITS <input type="checkbox"/> mm <input checked="" type="checkbox"/> INCH
DRAWN BY & DATE DAY 98/12/14	
CHECKED BY & DATE RWD 98/12/14	
APPROVED BY & DATE RWD 98/12/14	
CAD FILENAME SD-19218-010.DGN	

THIRD ANGLE PROJECTION	
TITLE: STANDARD BATTERY TERMINAL RIGHT ELBOW	
MOLEX INCORPORATED	
MATERIAL NO. SEE CHART	DRAWING NO. SD-19218-010

DIMENSIONS: <input type="checkbox"/> mm <input checked="" type="checkbox"/> INCH <input type="checkbox"/> mm ONLY		SHT	REV
REVISE ON CAD ONLY			
THIS DRAWING CONTAINS INFORMATION THAT IS PROPRIETARY TO MOLEX INCORPORATED AND SHOULD NOT BE USED WITHOUT WRITTEN PERMISSION.		SIZE B	

9

8

7

6

5

4

3

2

1