

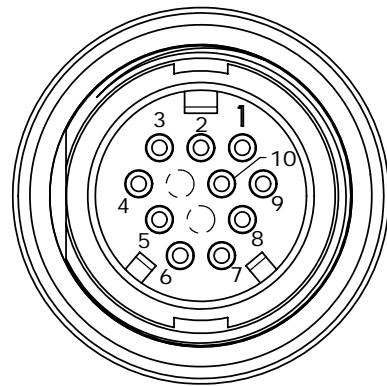
CUSTOMER PRINT

PART NUMBER: W4282-1XPG-300

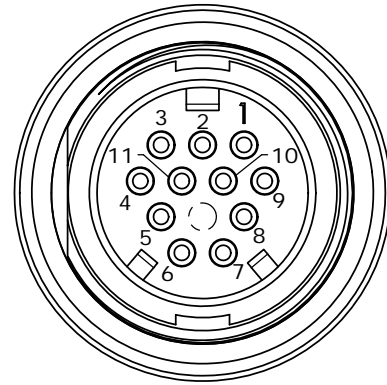
- NOTES:**
 1. ALL PARTS TO BE BULK PACKED.
 2. CONTACTS ASSEMBLED INTO CONNECTOR. SOLDER CUPS FACING TOP KEY.
 3. ALL DIMENSIONS ARE REFERENCE ONLY EXCEPT WHERE NOTED WITH A TOLERANCE. DIMENSIONS IN BRACKETS [] ARE METRIC.

ASS'Y P/N	CONTACTS	HOLE POS. CLOSED
W4282-10PG-300	10 - #20	11, 12
W4282-11PG-300	11 - #20	12
W4282-12PG-300	12 - #20	NONE
W4282-1XPG-300		

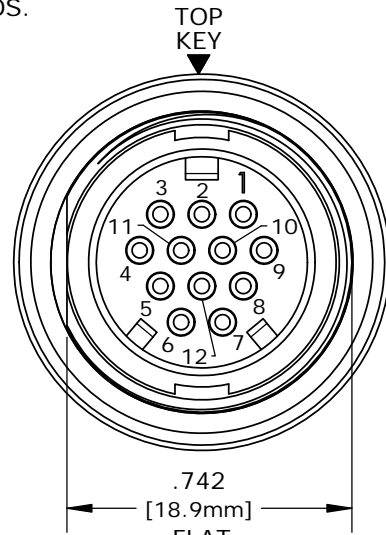
NO. OF CONTACTS



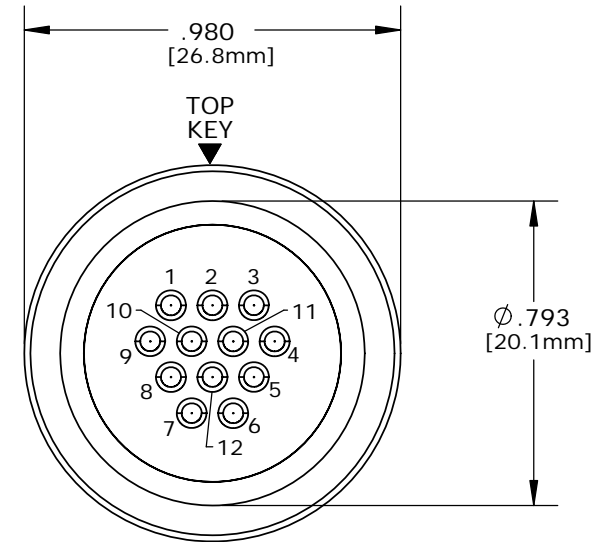
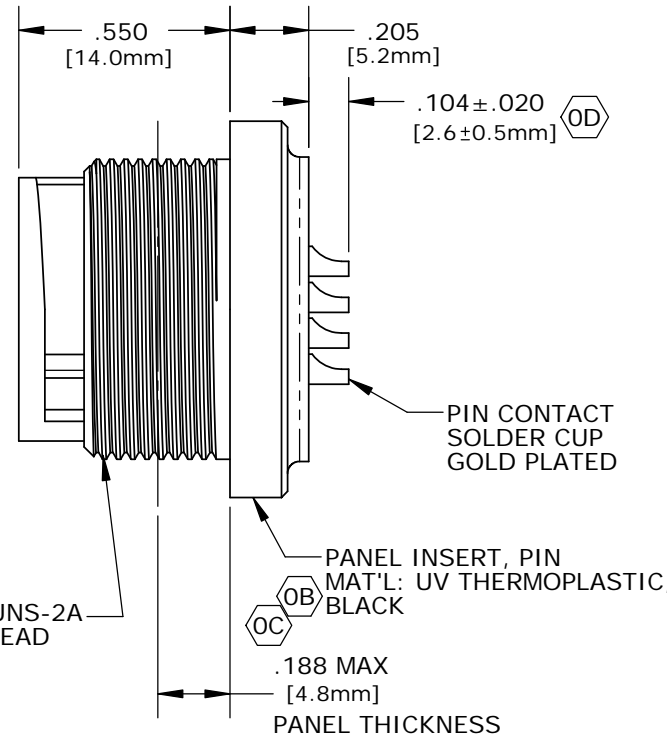
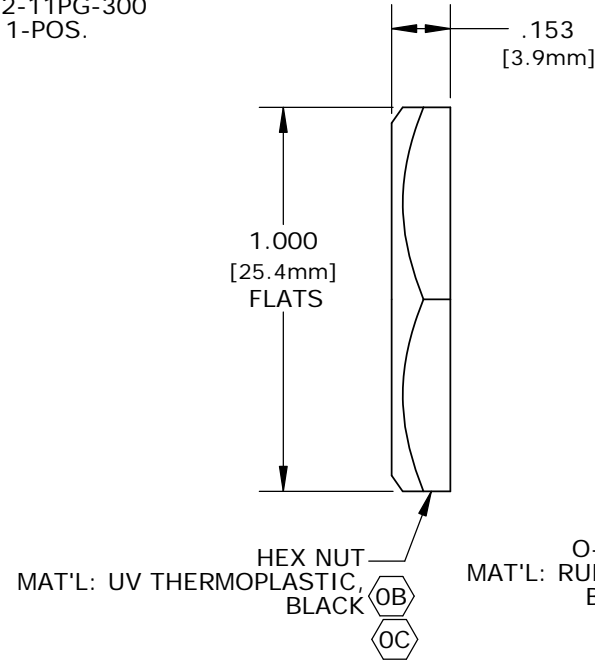
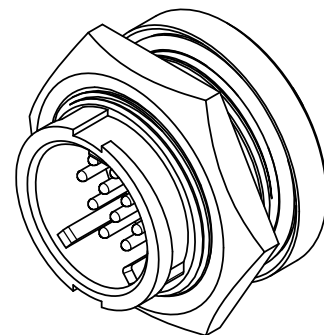
FACE VIEW
W4282-10PG-300
10-POS.



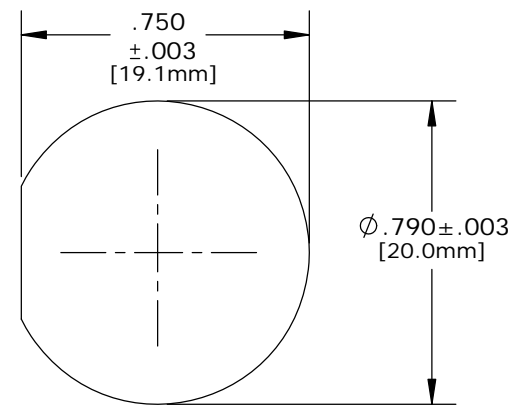
FACE VIEW
W4282-11PG-300
11-POS.



FACE VIEW
W4282-12PG-300
12-POS.



WIRE VIEW
 W4282-10PG-300 - 10-POS. (11&12 CLOSED)
 W4282-11PG-300 - 11-POS. (12 CLOSED)
 W4282-12PG-300 - 12-POS. (ALL OPEN)



RECOMMENDED PANEL CUTOUT
STANDARD MULTI-CON-X

PRELIMINARY

CUSTOMER APPROVAL
 THIS DOCUMENT CONTAINS CONFIDENTIAL INFORMATION PROPRIETARY TO CONXALL CORPORATION. ANY REPRODUCTION, DISCLOSURE, OR USE OF THIS DOCUMENT /INFORMATION IS EXPRESSLY PROHIBITED UNLESS AUTHORIZED IN WRITING BY CONXALL CORPORATION.
 APPROVED BY: _____
 DATE: _____

OD	PAK	02/27/17	MODIFIED CONTACT TOLERANCE
OC	PAK	10/07/16	CHANGED MATERIAL FROM CHARCOAL BLACK TO BLACK
OB	PAK	02/18/15	CHANGED MATERIAL FROM BLACK TO CHARCOAL BLACK
OA	PAK	10/13/14	DRAWING CREATED PER DOR 10-2523JS-1
REV.	INIT.	DATE	DESCRIPTION
			ALL INFORMATION ILLUSTRATED IS THE PROPERTY OF "CONXALL CORPORATION". UNAUTHORIZED DUPLICATION OR DISTRIBUTION OF THIS DOCUMENT IS PROHIBITED.
			UNLESS OTHERWISE SPECIFIED TOLERANCES: 3 PLACE DECIMALS ±.005 ANGLES ±1° FRACTIONS ±1/16 - CRITICAL CHARACTERISTIC FLAG PER SPEC. XXXX
ORIG. DRAWN BY:		DATE:	<p>601 E. WILDWOOD VILLA PARK, IL 60181</p>
PAK		10/07/14	
CHECKED BY:			
APPROVED BY:		TITLE:	
SCALE	SIZE	SHEET	#20 SOLDER, 12-POS. PATTERN
NTS	B	1 OF 1	MULTI-CON-X, WEATHER RESISTANT
FILE:	DIRECTORY:	PART NUMBER:	STANDARD PRODUCT
W4282-1XPG-300	SLW	W4282-1XPG-300	
			REV OD