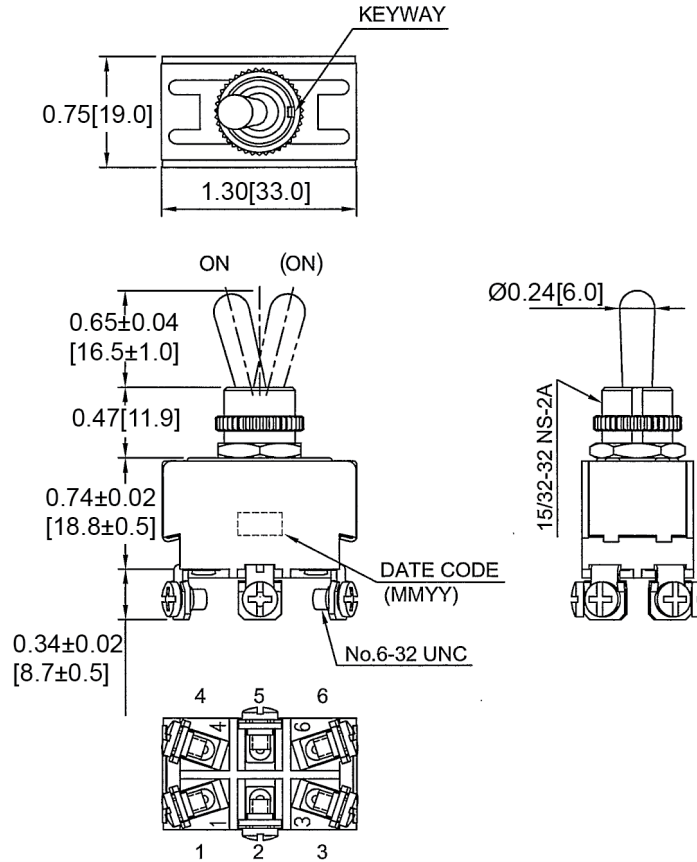
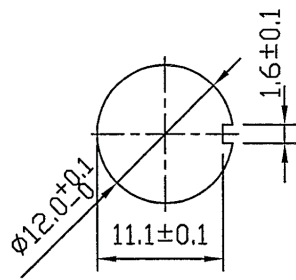


## Mechanical Dimensions: Inches [mm]

Tolerances  $\pm 0.012$  [0.3] Unless Otherwise Specified



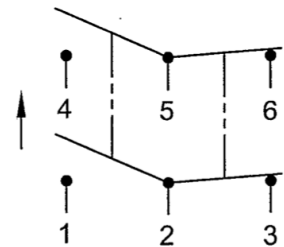
## Mounting Hole



Thickness: 0.24 [6.0mm] max

## Circuit Diagram

6P DPDT ON-(ON)



## Electrical Specifications

**Rating** 10(4)A 125/250V AC, 10A 125/250V AC 20A 125V AC, 10A 277V AC, 1 1/2HP 125-250V AC

**Contact Resistance** 50m ohm Max

**Insulation Resistance** DC 500V 100M ohm Min

**Dielectric Strength** AC 1500V 1 minute

**Operation Temperature** 1300gf±500gf

## Material Specifications

1 Hex Nut Assy

1 Knurl Nut Assy

**Rev      Date of issue      Revision Notes**

**Designed      Approved**

B	03-12-2021	Initial Drawing	RC	OF
---	------------	-----------------	----	----