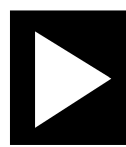
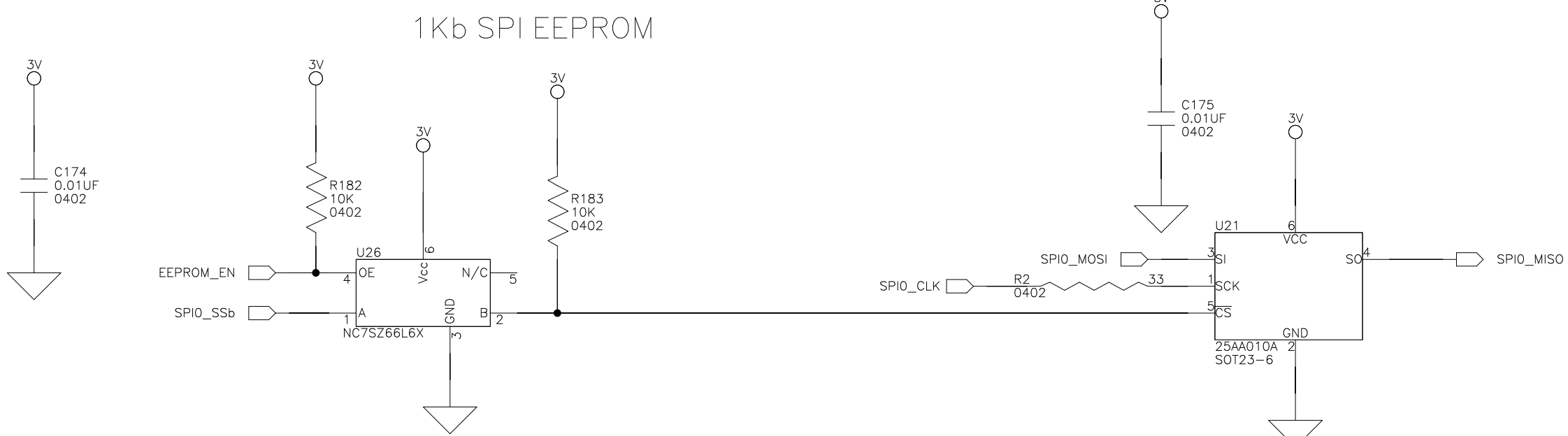
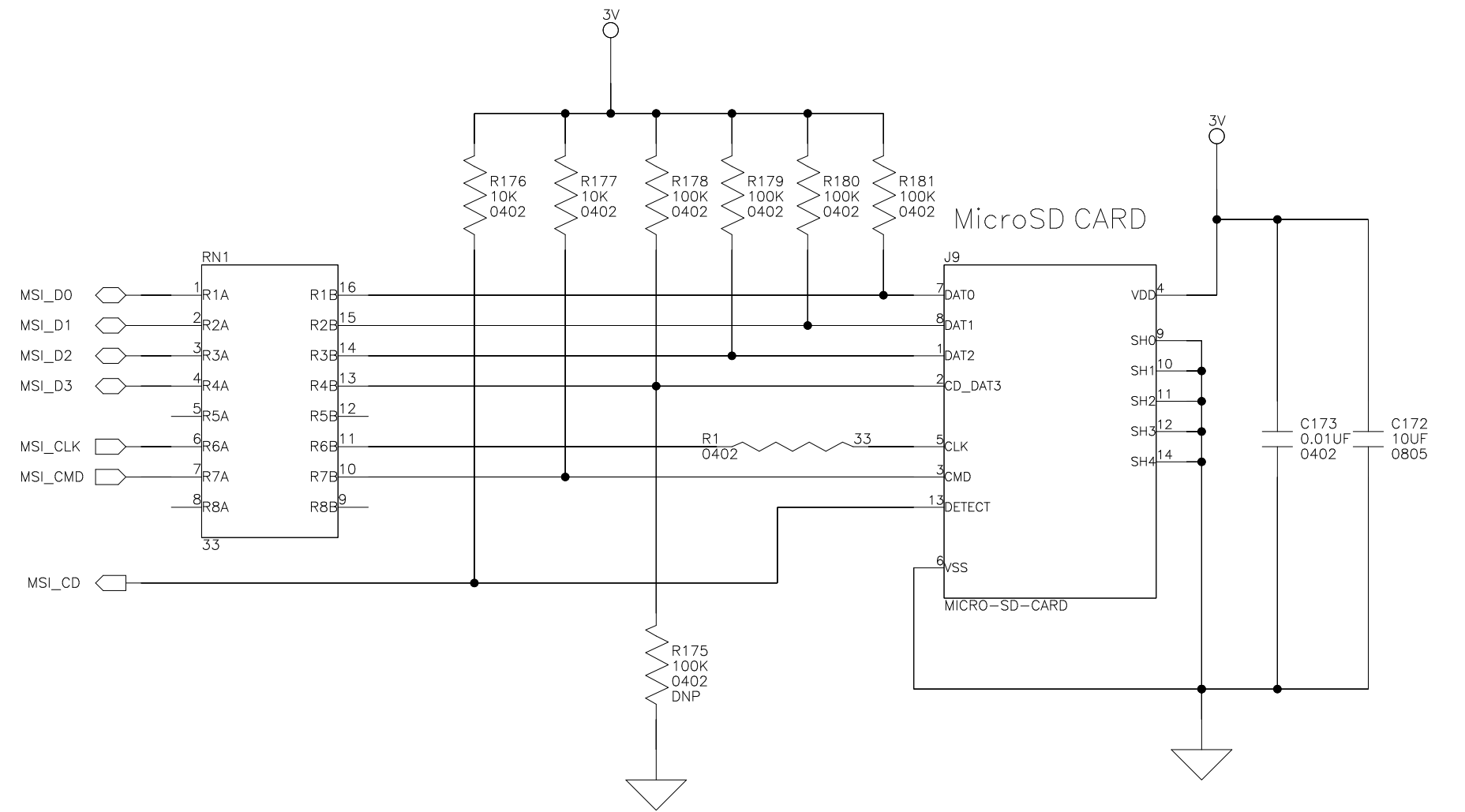
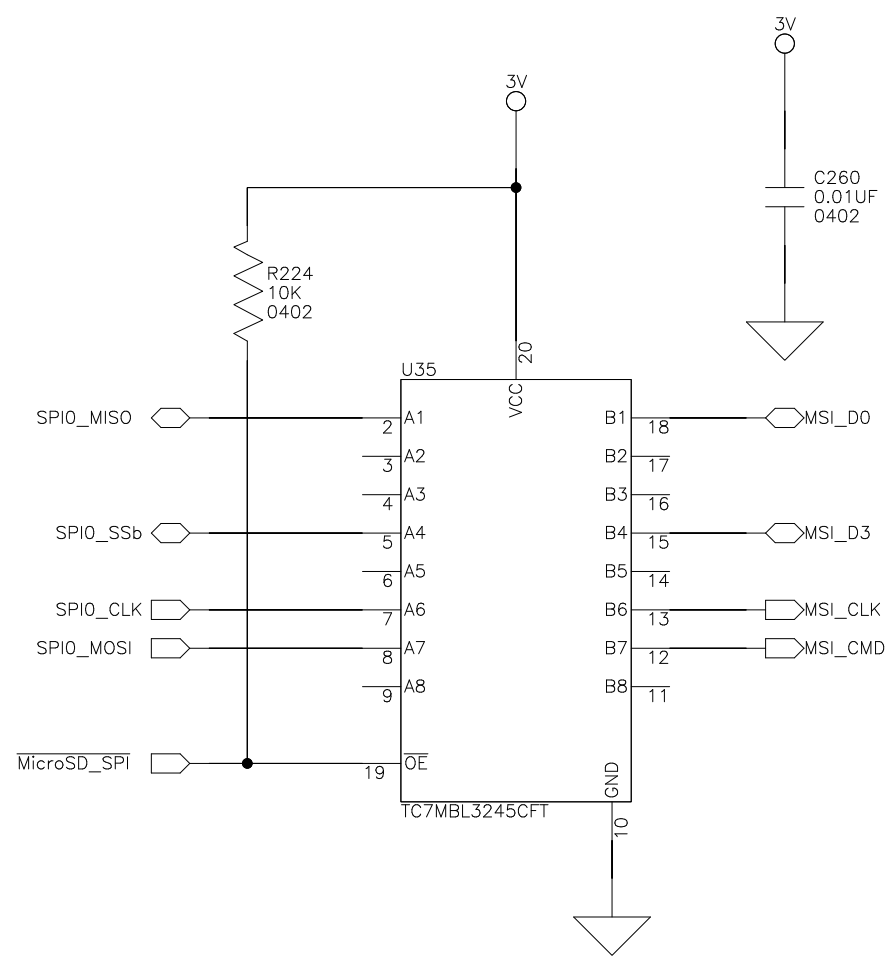
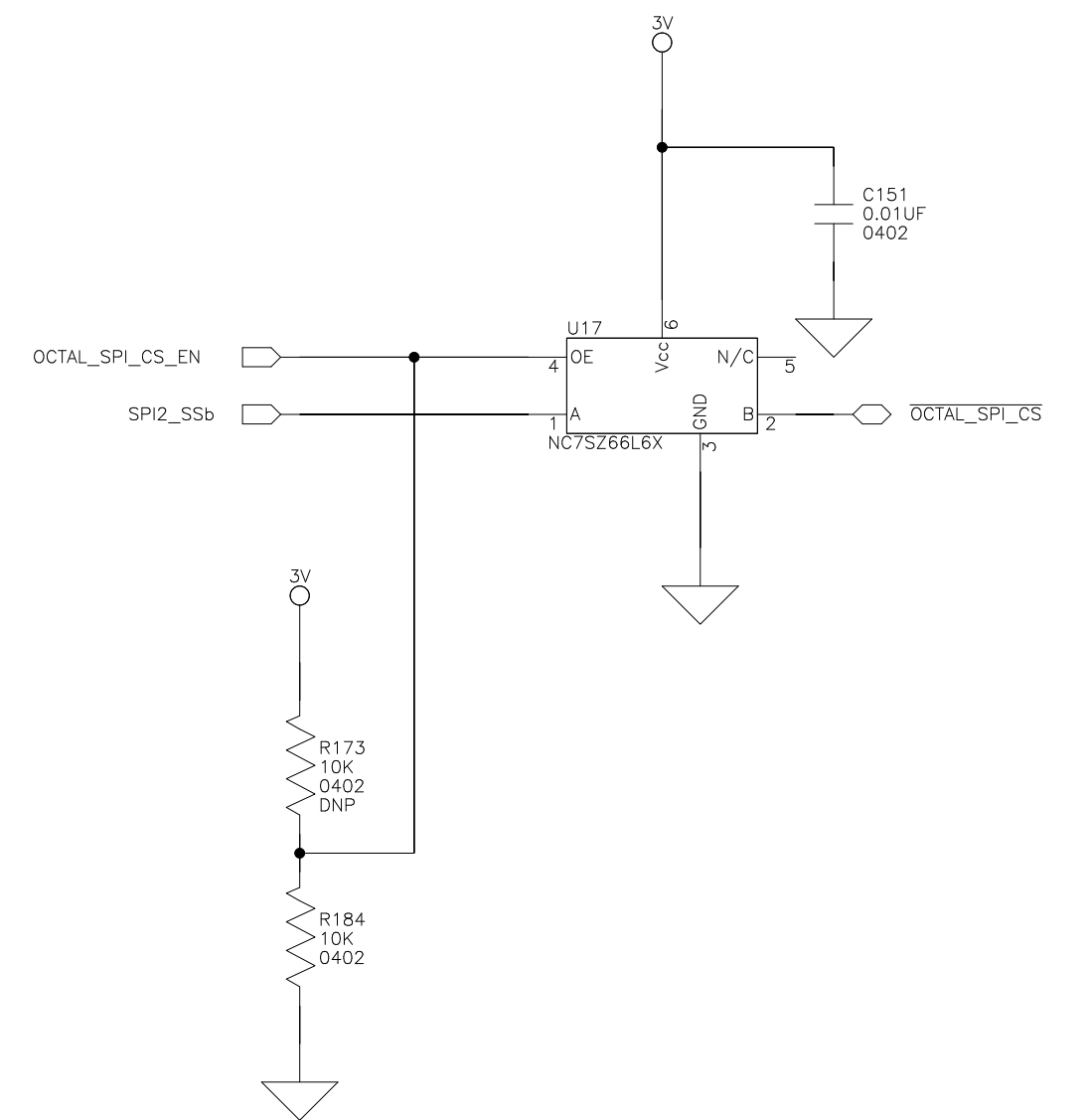
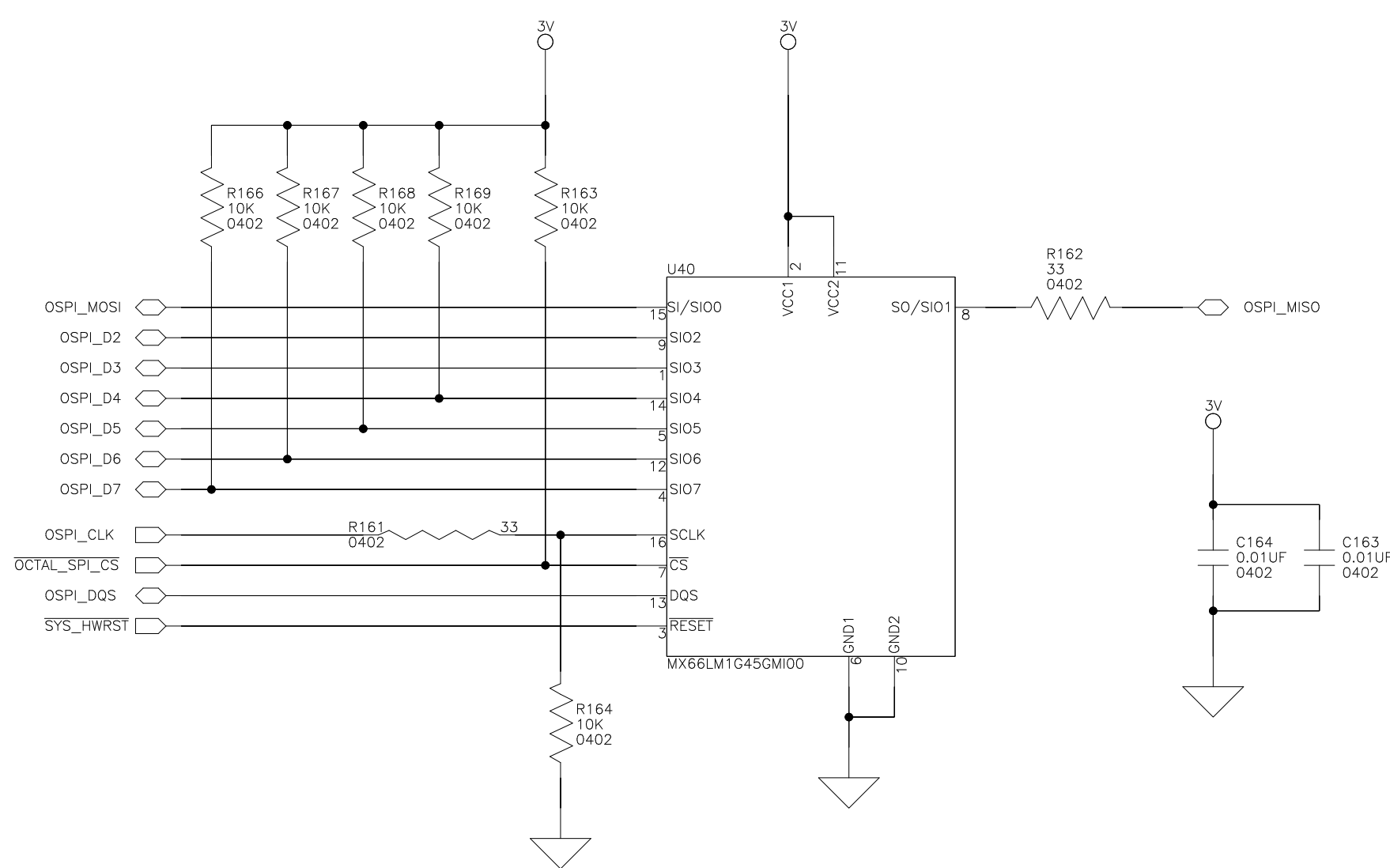



# EV-SOMCRR-EZKIT

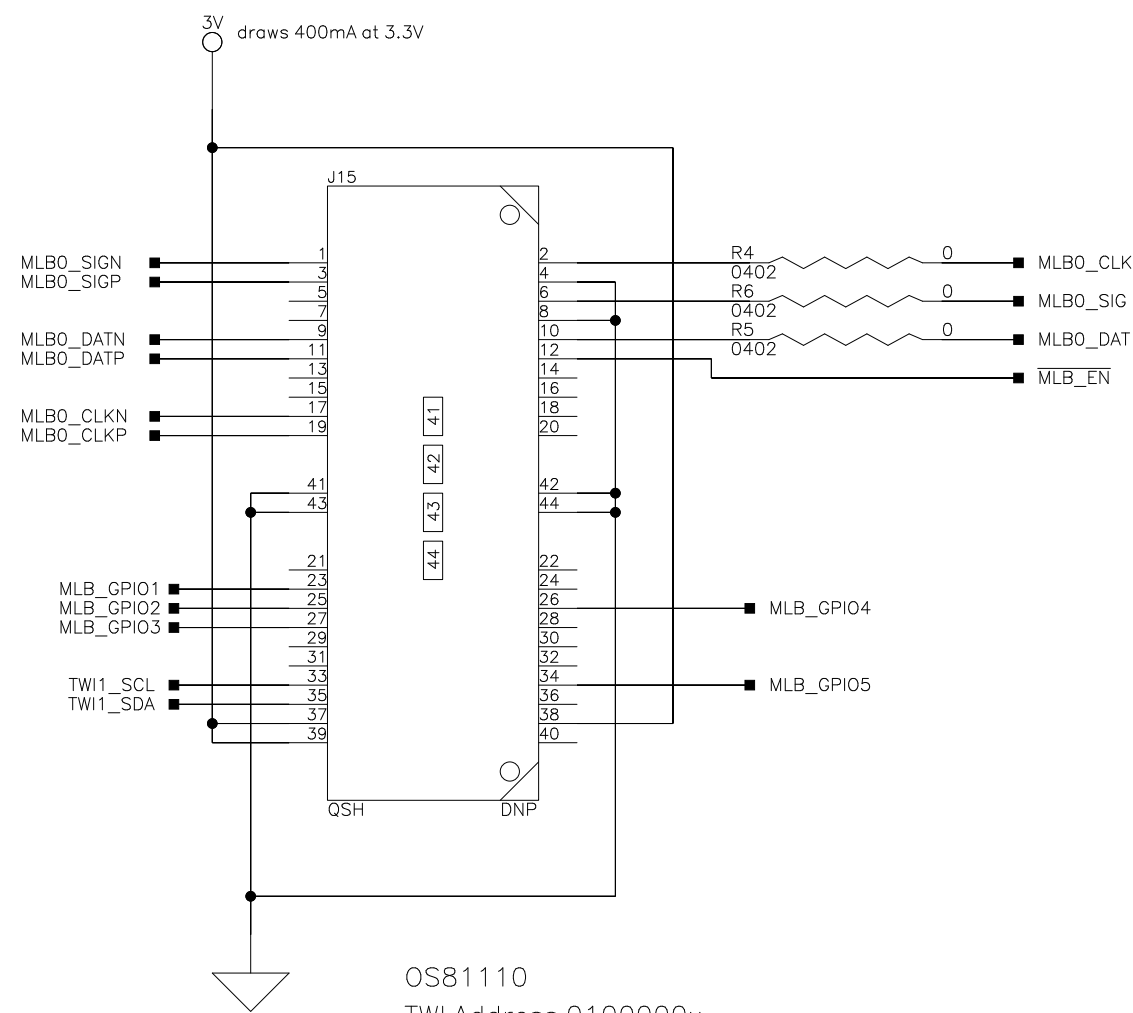
## Schematic

		<b>ANALOG DEVICES</b>		2 Elizabeth Drive Chelmsford, MA 01824 PH: 1-800-ANALOGD	
Title		EZ-Kit SOM Carrier Board Title Block			
Size C	Board No.	EV-SOMCRR-EZKIT		Rev A	
Date	05/27/2020		Sheet 1 of 19		



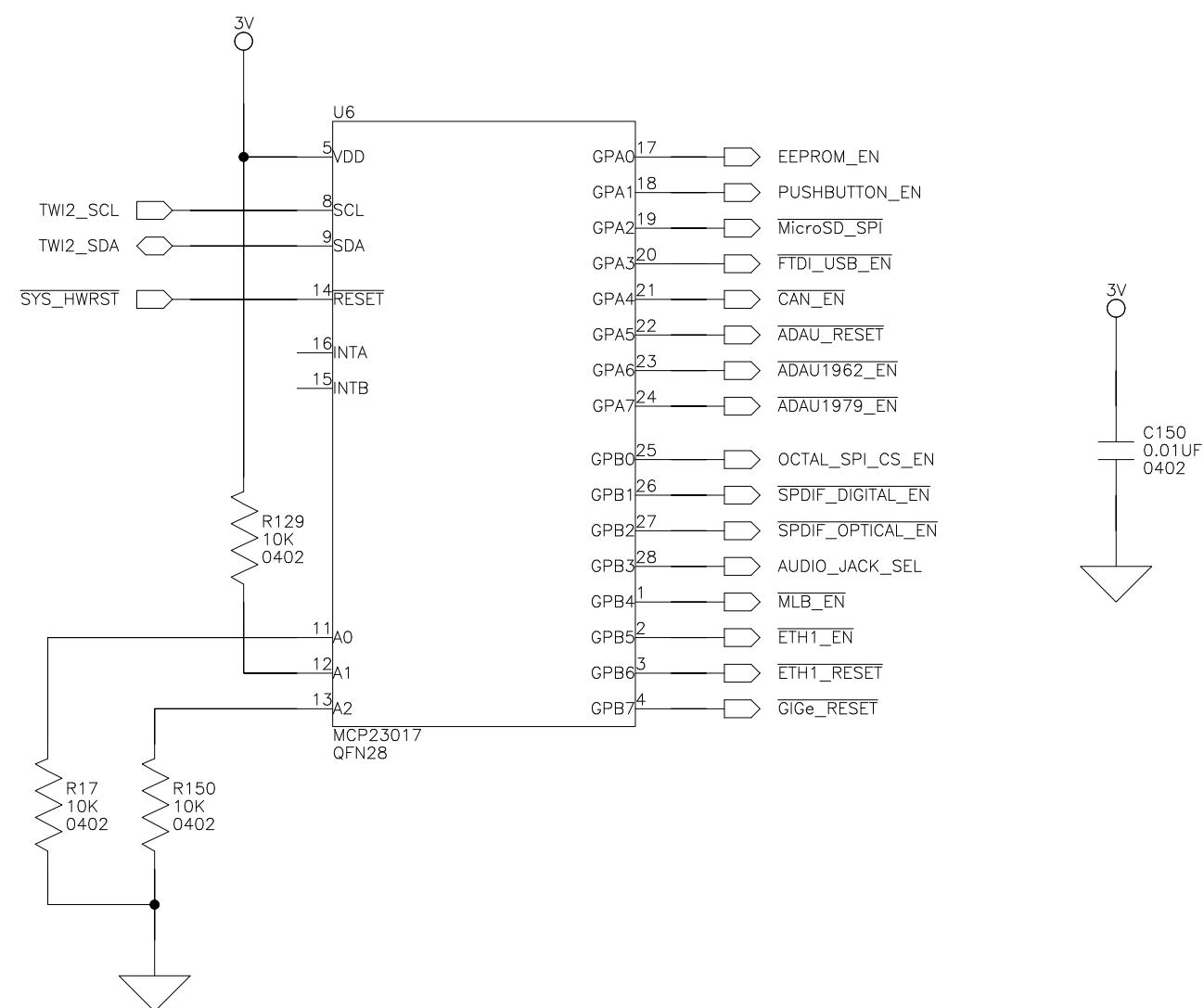
		2 Elizabeth Drive Chelmsford, MA 01824 PH: 1-800-ANALOGD	
Title EZ-Kit SOM Carrier Board SPI Flash			
Size C	Board No. EV-SOMCRR-EZKIT	Rev A	
Date 05/27/2020	Sheet 2 of 19		

MLB 3/6

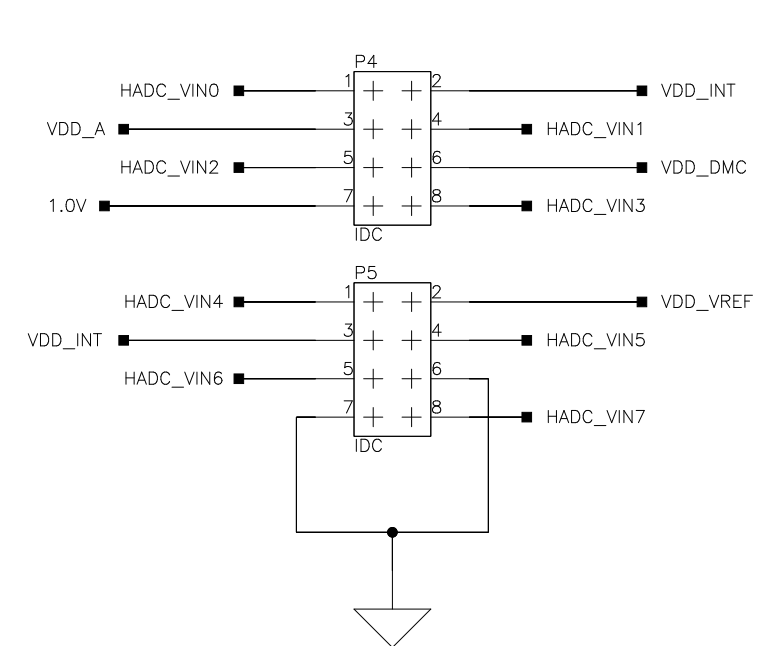


OS81110  
TWI Address 0100000x  
x is the R/W bit. Read - 1, Write - 0

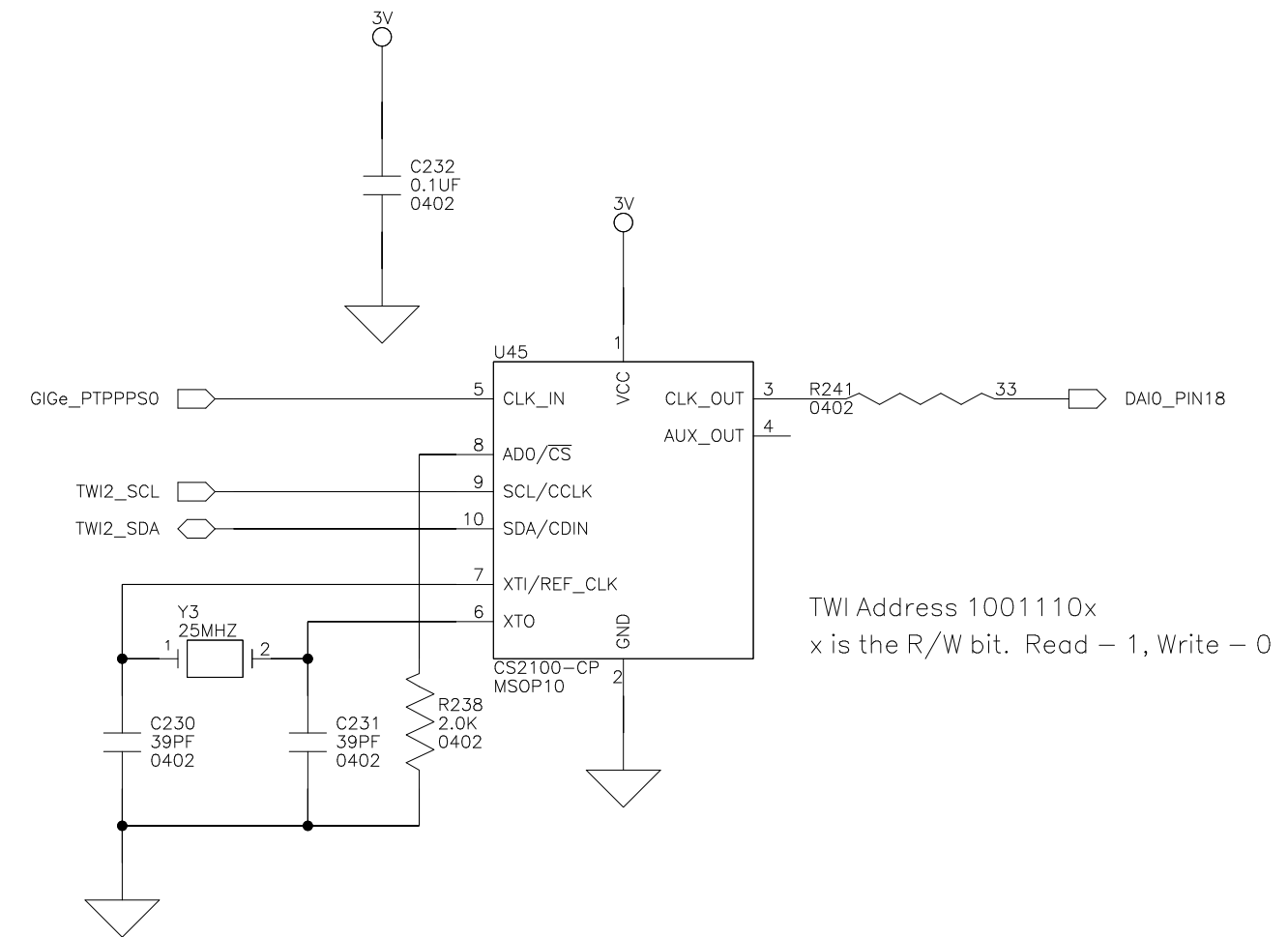
TWI Address 0100010x  
x is the R/W bit. Read - 1, Write - 0



HADC Connectors

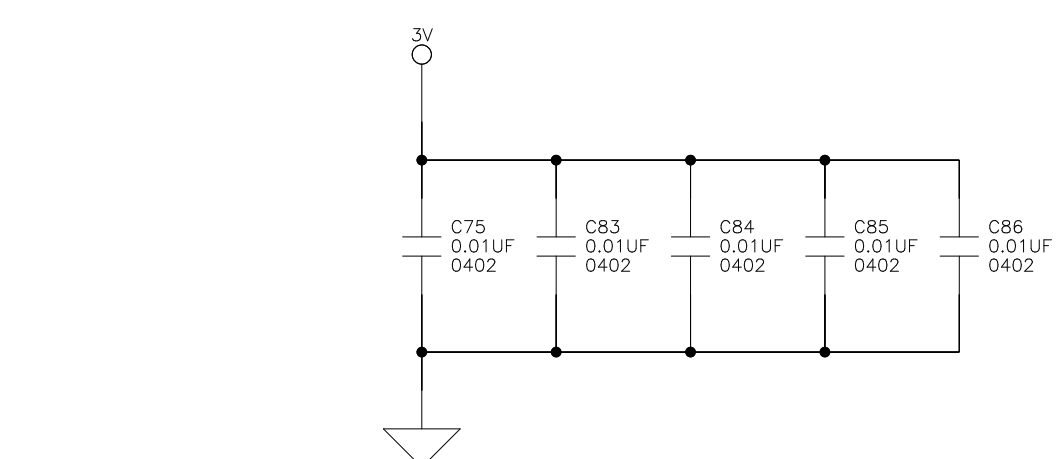
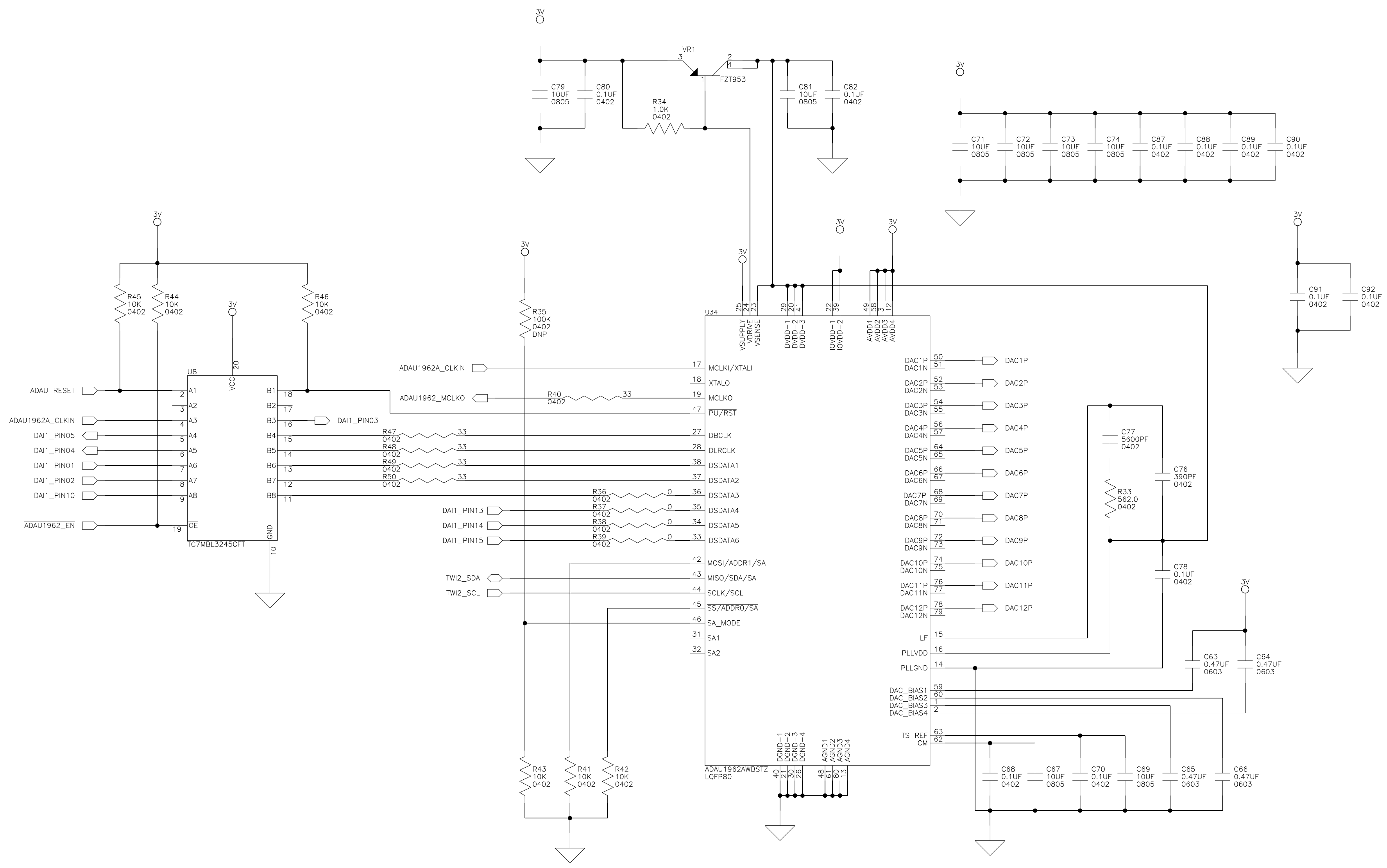


- SJ? DEFAULT=1&2
- SJ? DEFAULT=3&4
- SJ? DEFAULT=5&6
- SJ? DEFAULT=7&8
- SJ?
- SJ? DEFAULT=1&2
- SJ? DEFAULT=3&4
- SJ? DEFAULT=5&6
- SJ? DEFAULT=7&8




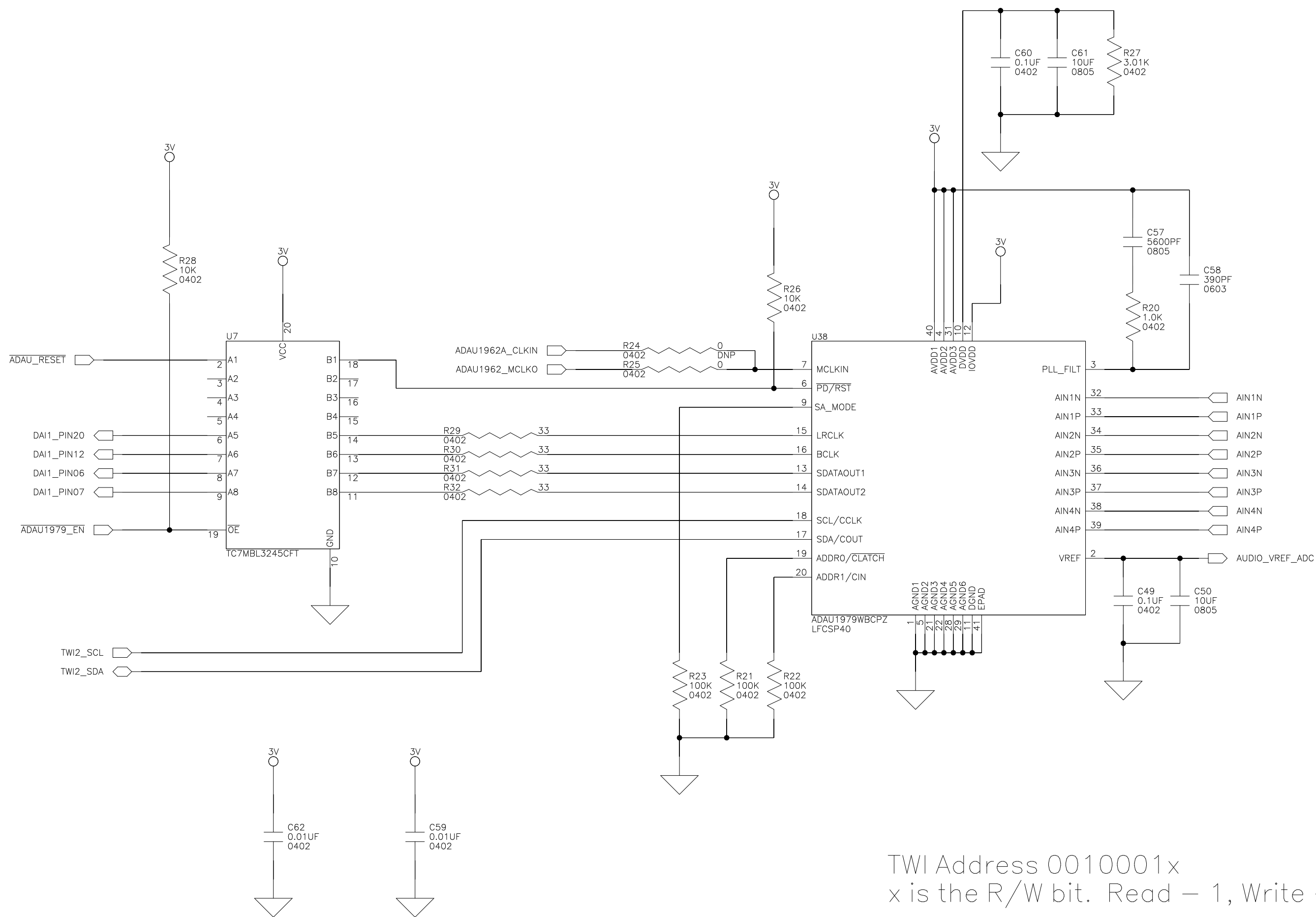
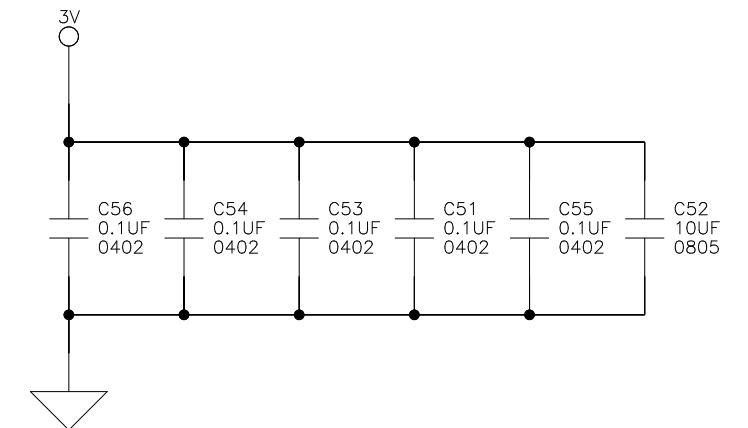
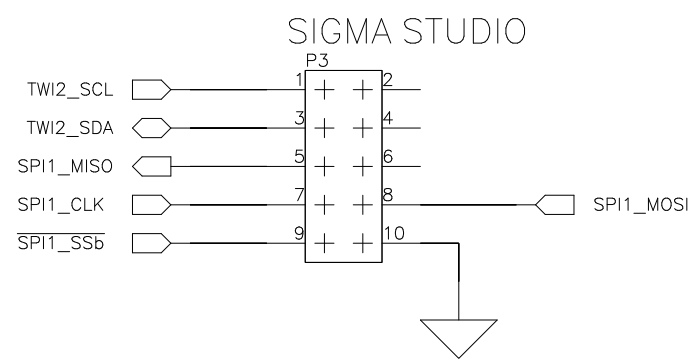
TWI Address 1001110x  
x is the R/W bit. Read - 1, Write - 0

		2 Elizabeth Drive Chelmsford, MA 01824 PH: 1-800-ANALOGD
Title EZ-Kit SOM Carrier Board MOST/HADC/Soft Config		
Size C	Board No. EV-SOMCRR-EZKIT	Rev A
Date	05/27/2020	Sheet 3 of 19




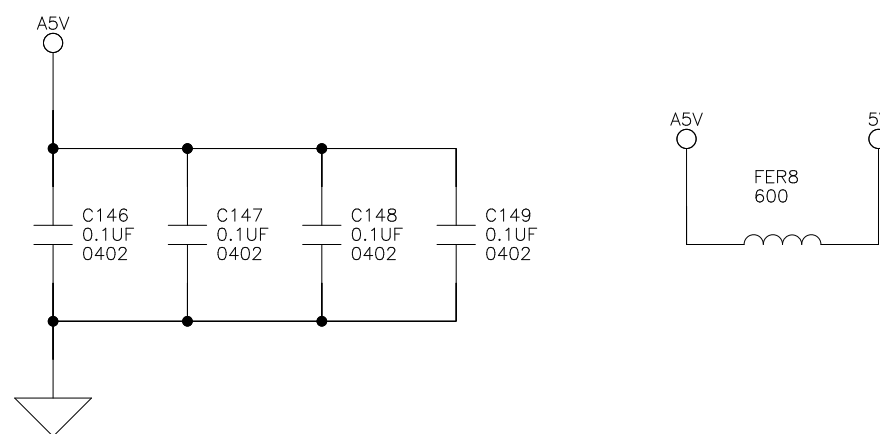
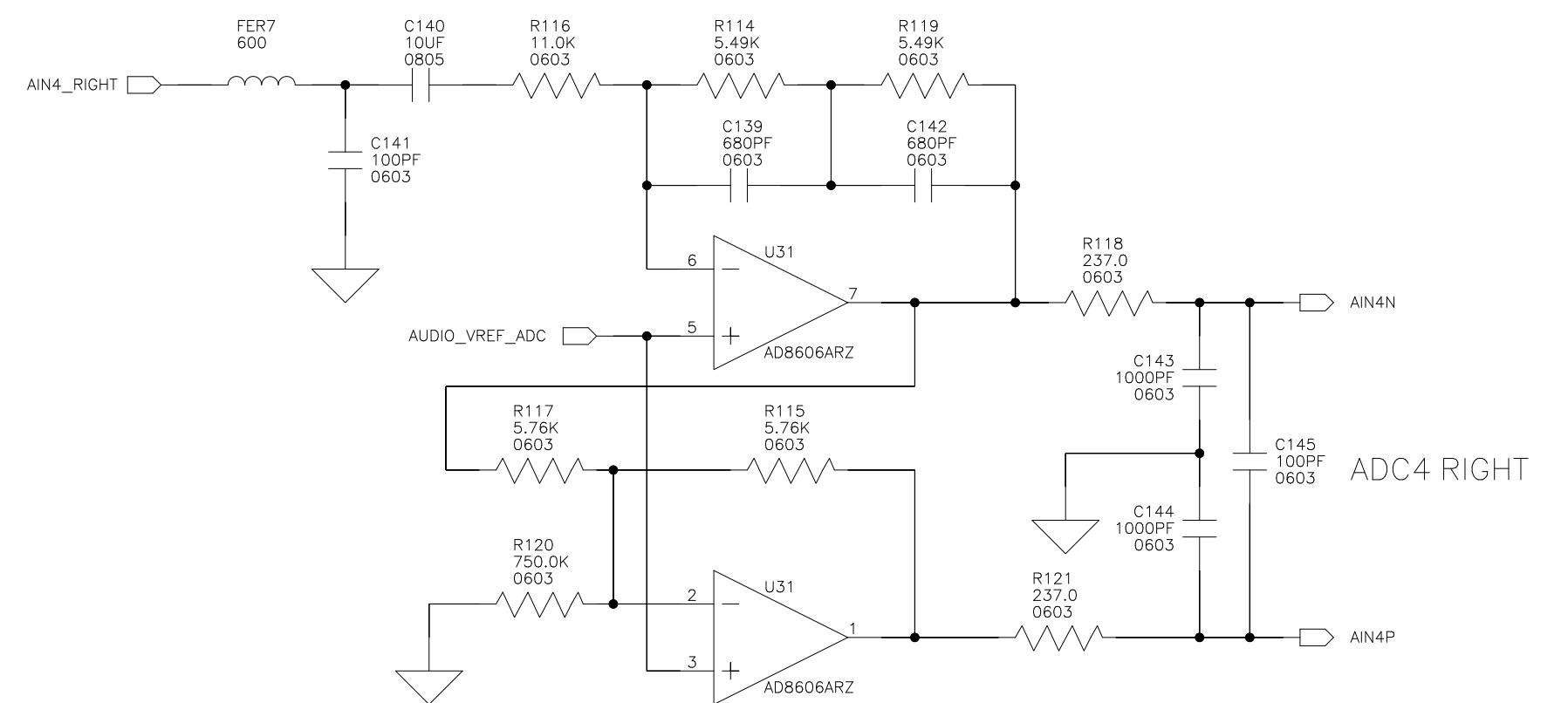
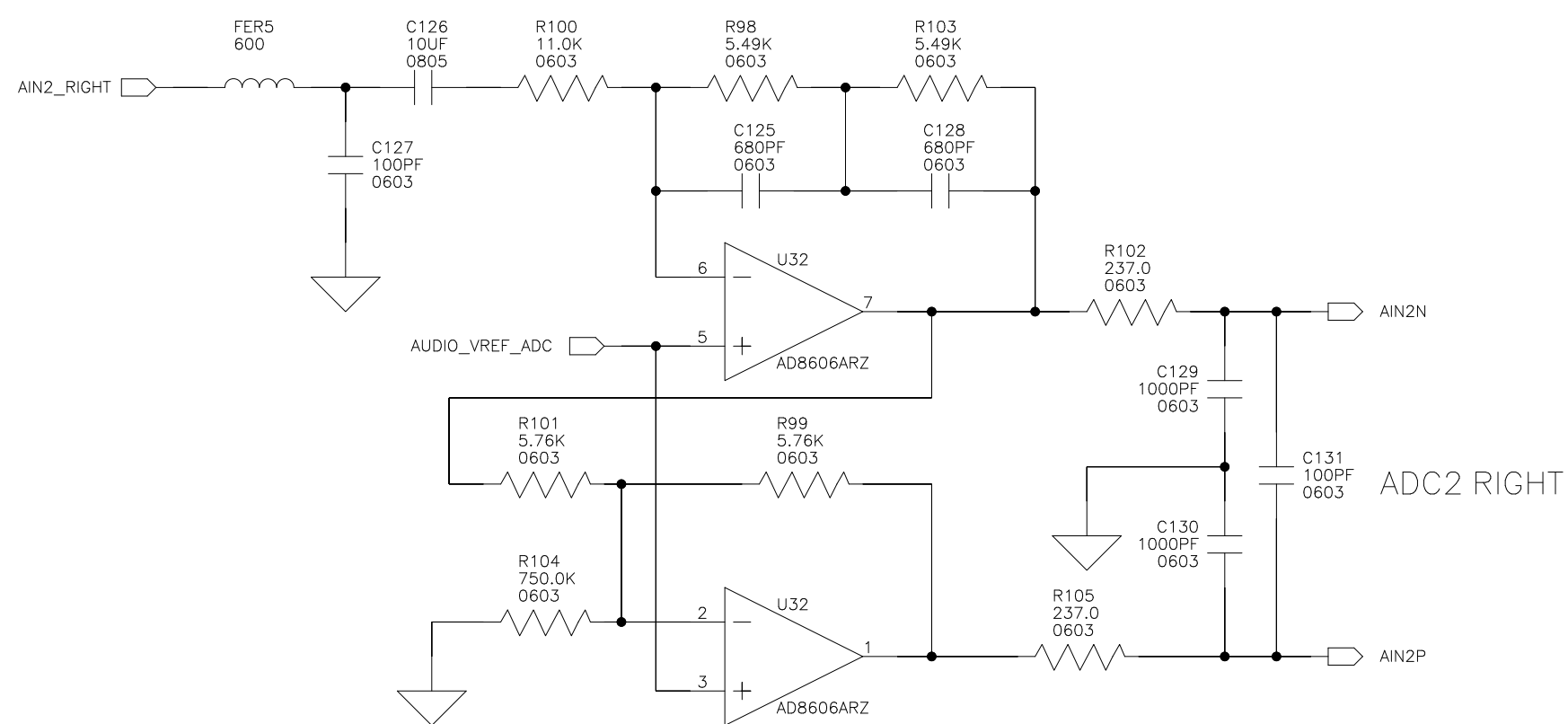
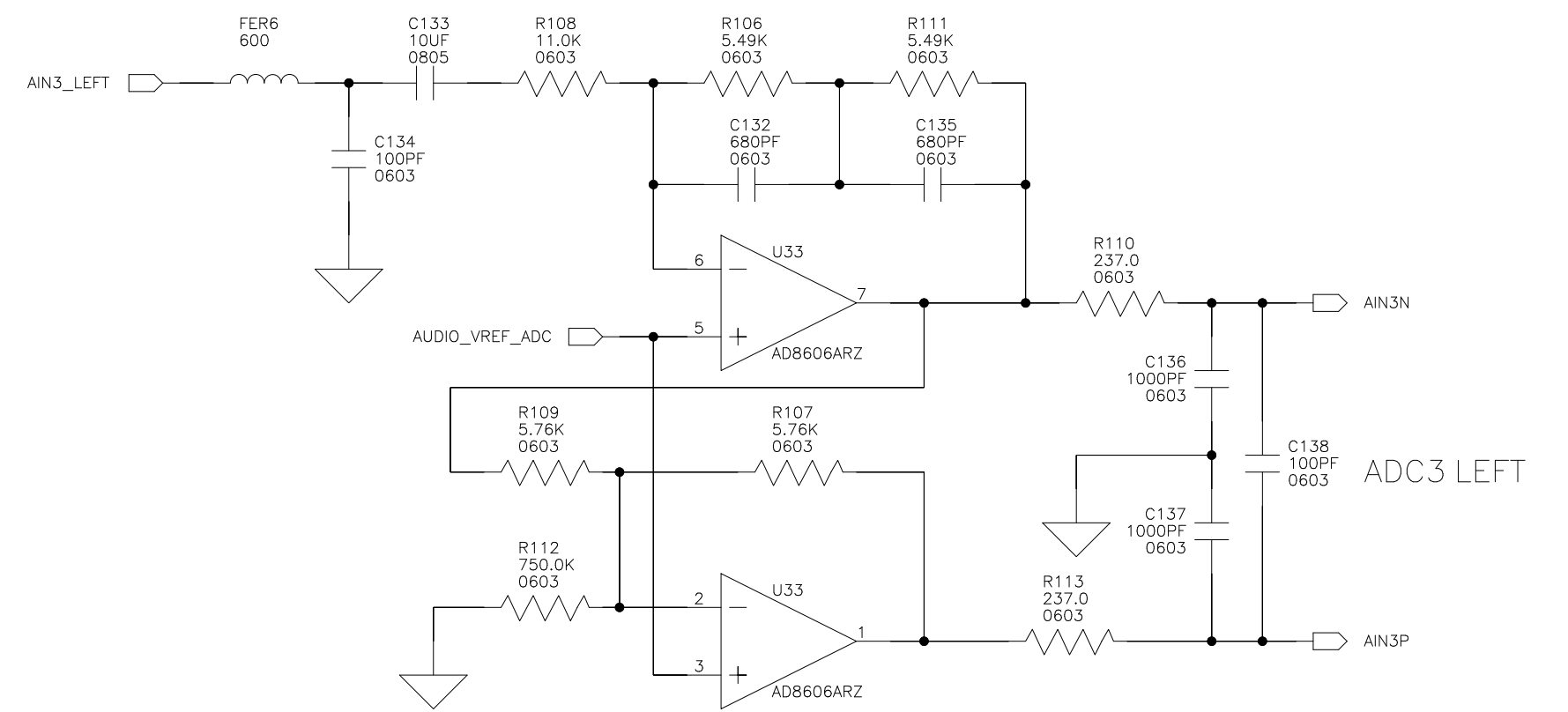
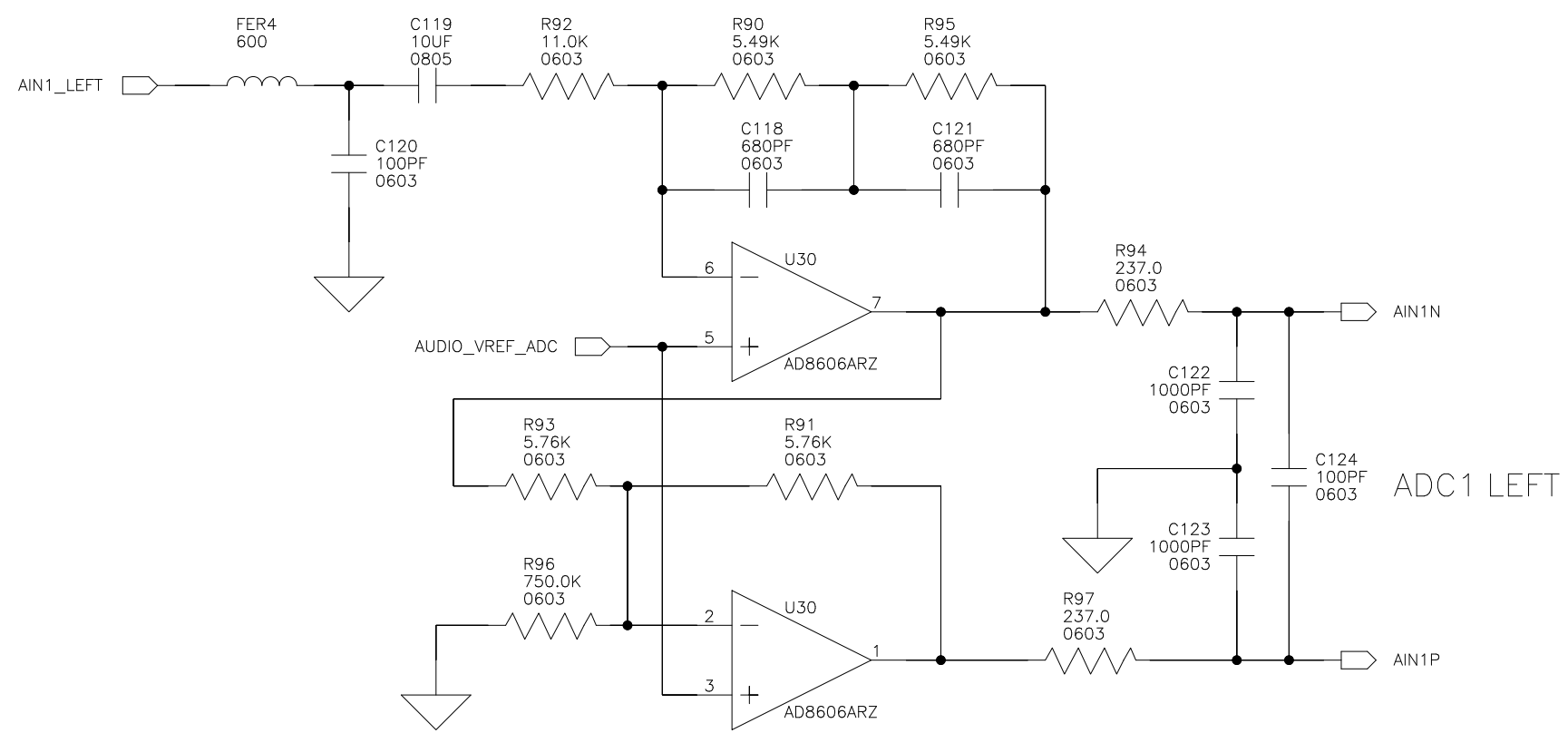
TWI Address 0000100x  
 x is the R/W bit. Read - 1, Write - 0


		2 Elizabeth Drive Chelmsford, MA 01824 PH: 1-800-ANALOGD	
		Title EZ-Kit SOM Carrier Board ADAU1962A	
Size C	Board No. EV-SOMCRR-EZKIT	Rev A	
Date 05/27/2020	Sheet 4		of 19

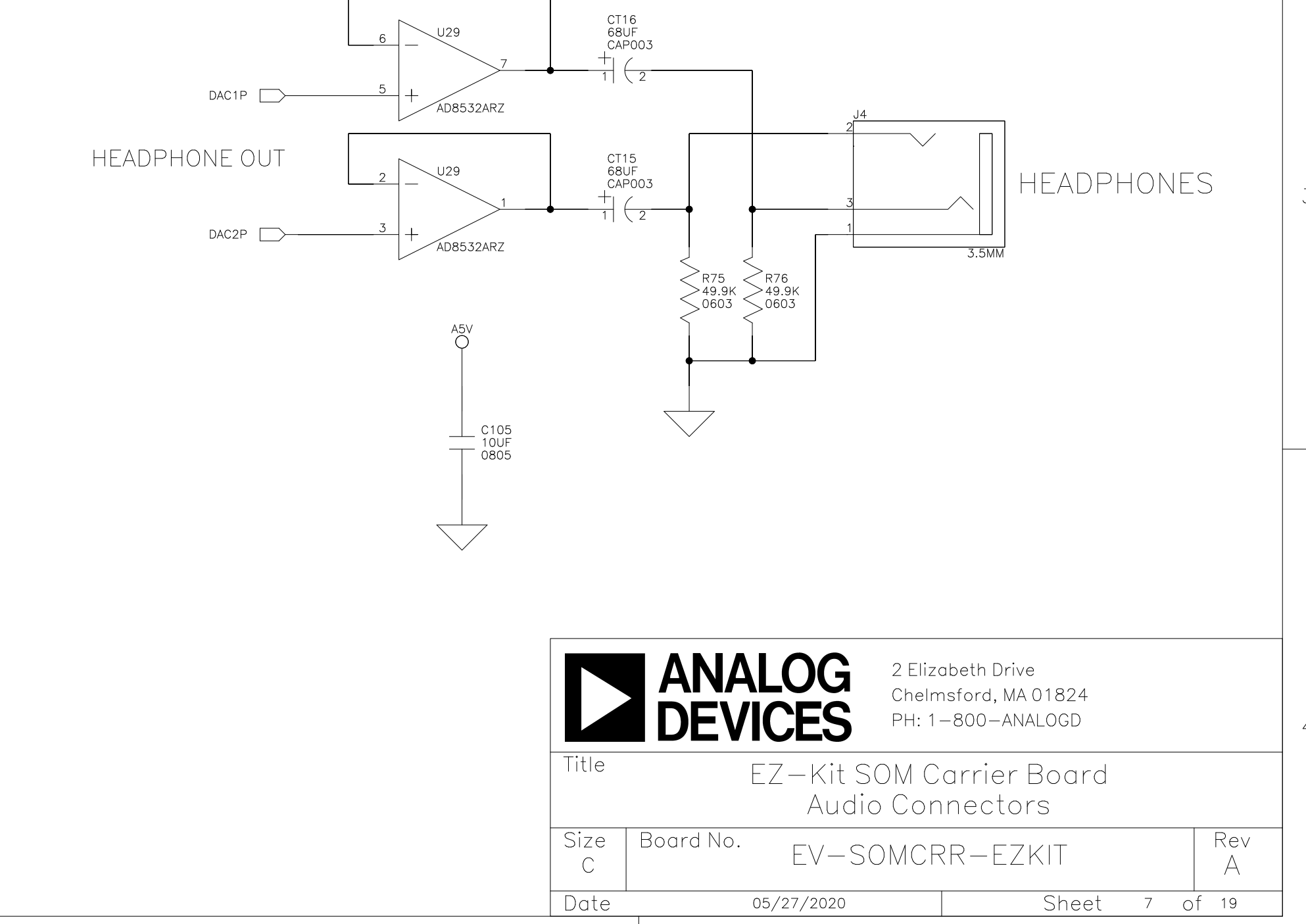
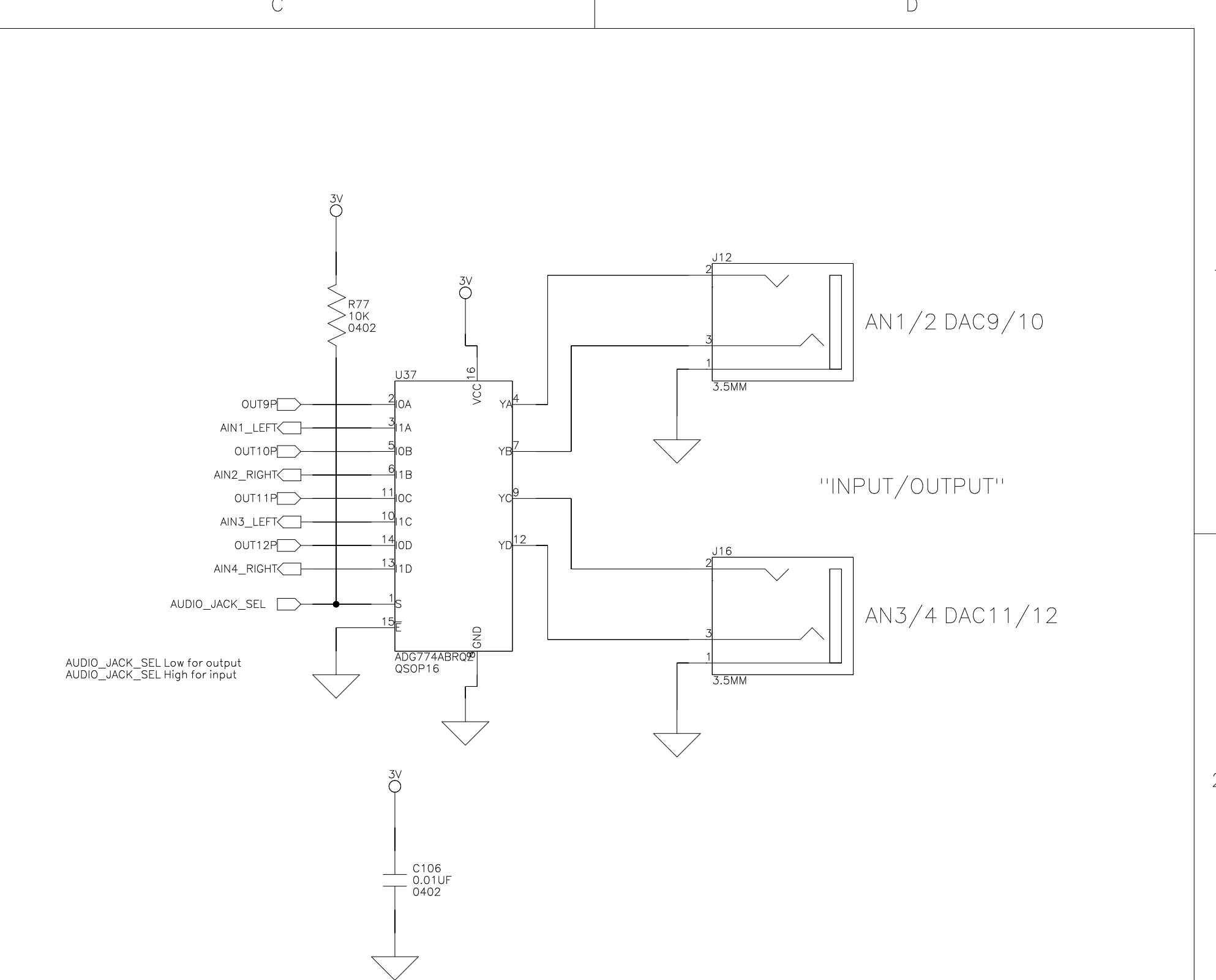
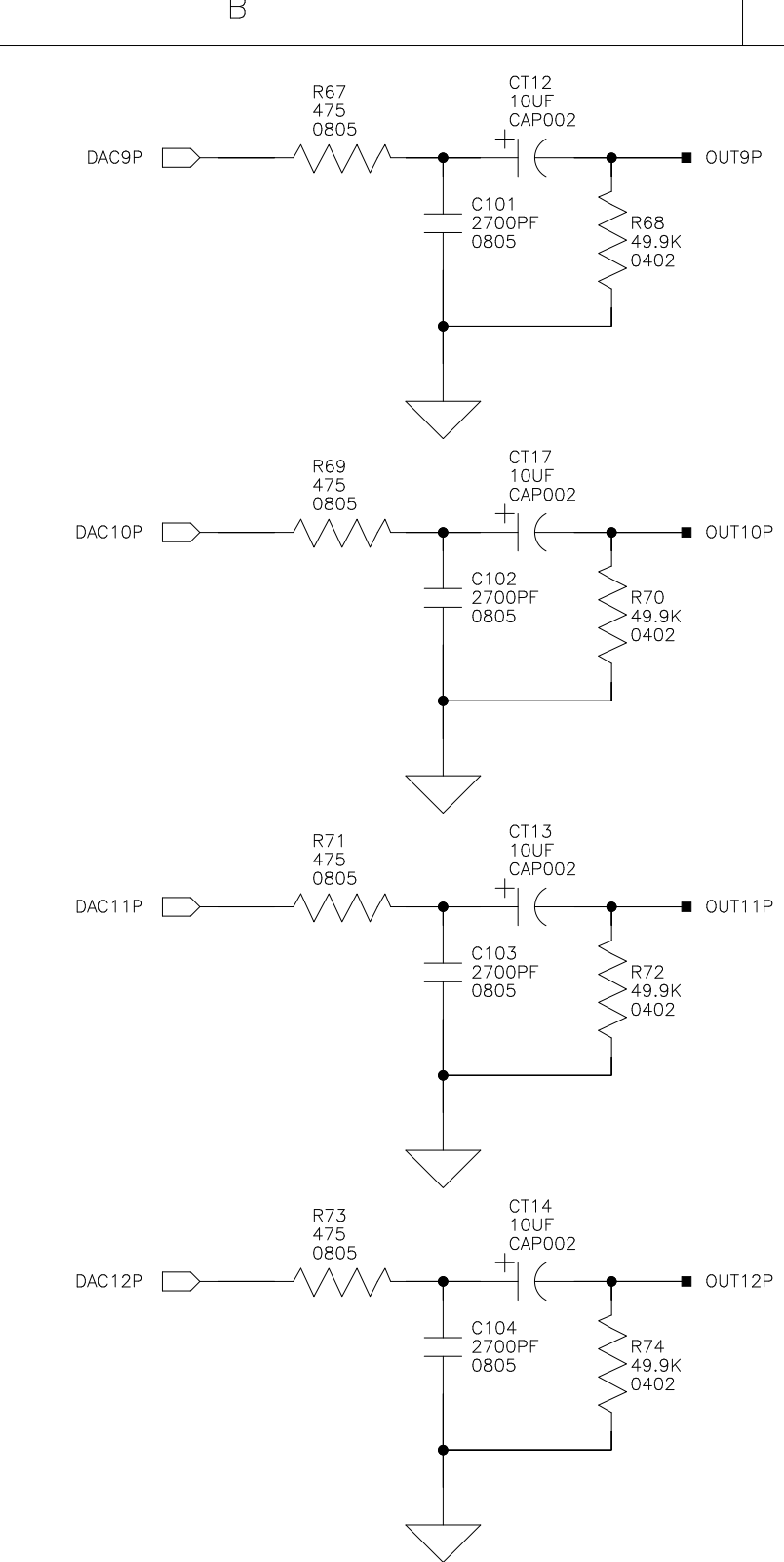
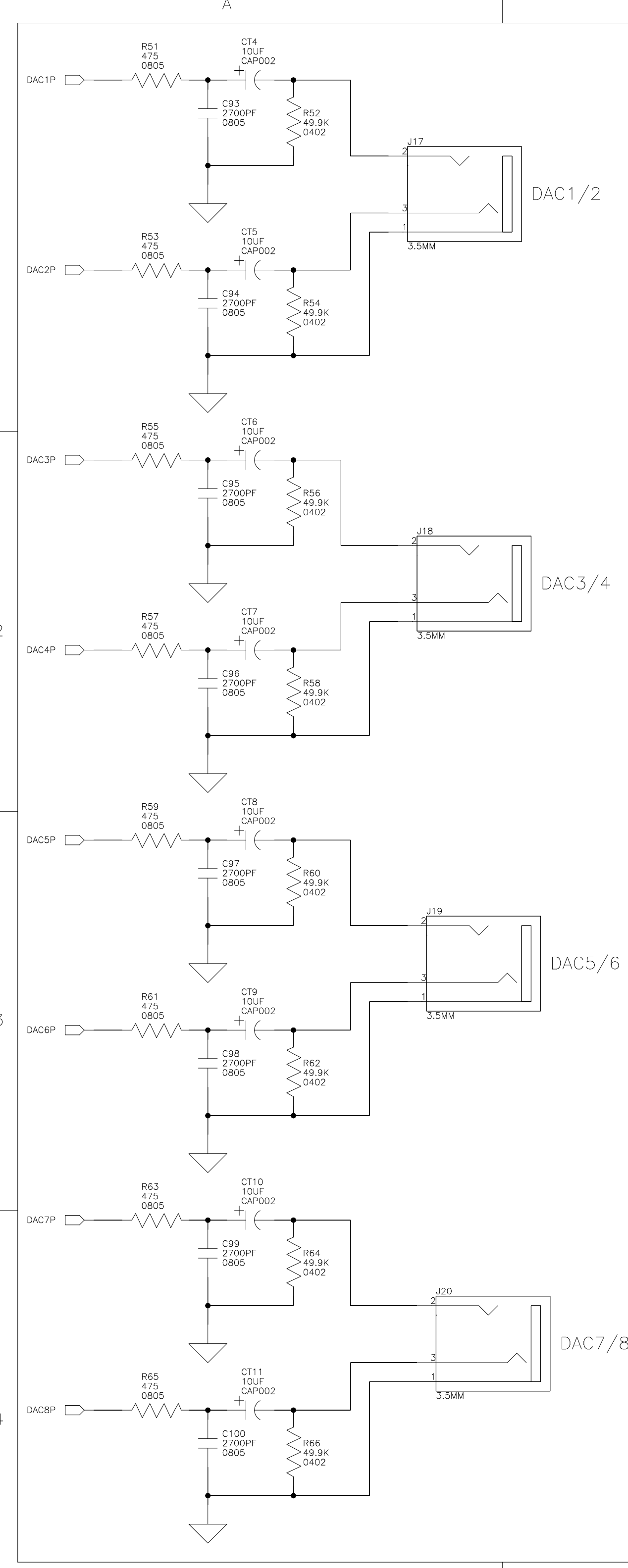


TWI Address 0010001x  
x is the R/W bit. Read – 1, Write – 0

		2 Elizabeth Drive Chelmsford, MA 01824 PH: 1-800-ANALOG	
		Title EZ-Kit SOM Carrier Board ADAU1979	
Size C	Board No. EV-SOMCRR-EZKIT	Rev A	
Date 05/27/2020	Sheet 5 of 19		



		2 Elizabeth Drive Chelmsford, MA 01824 PH: 1-800-ANALOGD	
		Title EZ-Kit SOM Carrier Board Audio Input	
Size C	Board No. EV-SOMCRR-EZKIT	Rev A	
Date 05/27/2020	Sheet 6 of 19		



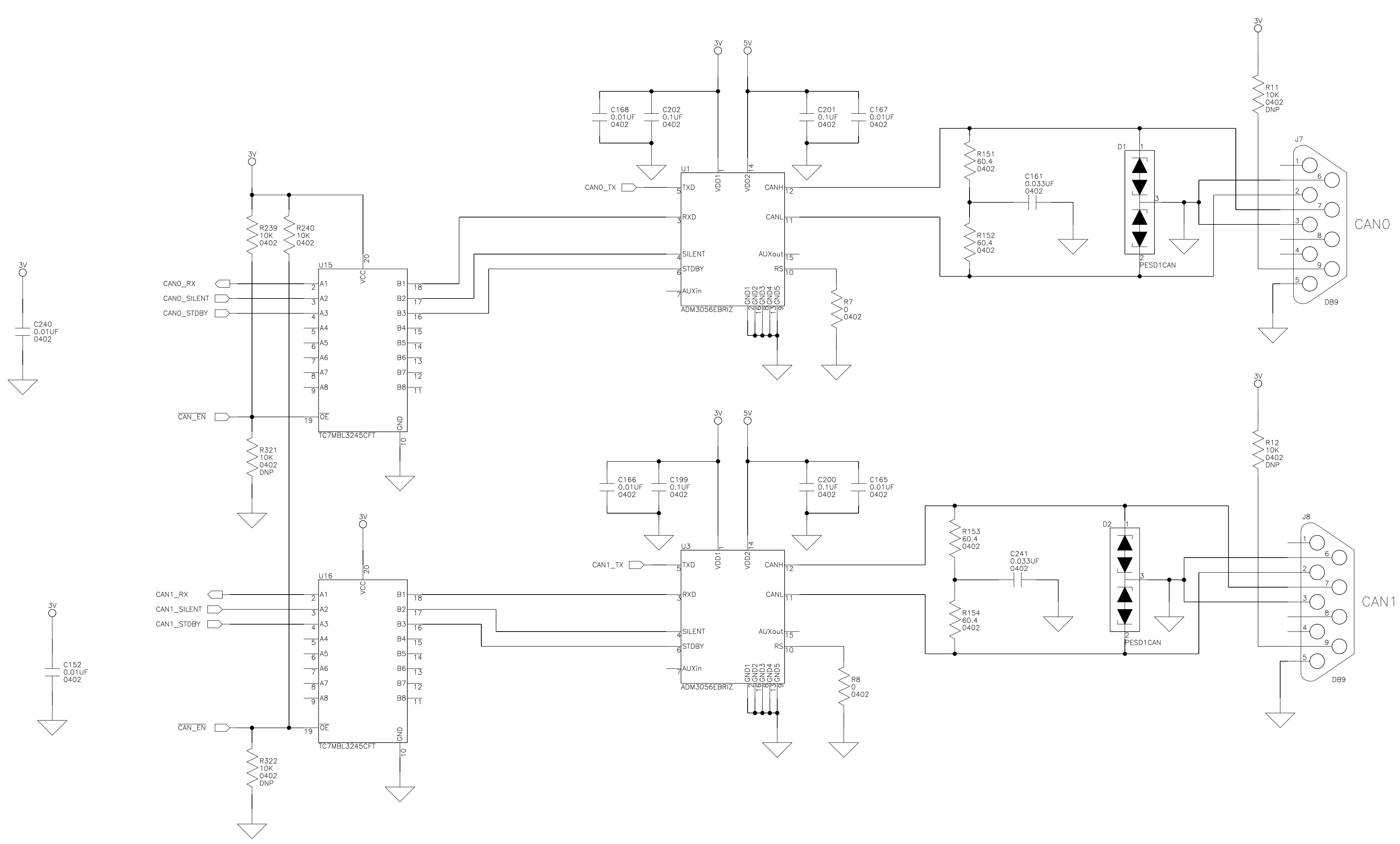
		2 Elizabeth Drive Chelmsford, MA 01824 PH: 1-800-ANALOGD	
		Title EZ-Kit SOM Carrier Board Audio Connectors	
Size C	Board No. EV-SOMCRR-EZKIT	Rev A	
Date	05/27/2020	Sheet	7 of 19


A

B

C

D



		2 Elizabeth Drive Chelmsford, MA 01824 PH: 1-800-ANALOGD	
Title EZ-Kit SOM Carrier Board CAN			
Size C	Board No. EV-SOMCRR-EZKIT	Rev A	
Date 05/27/2020	Sheet 8 of 19		

A

B

C

D

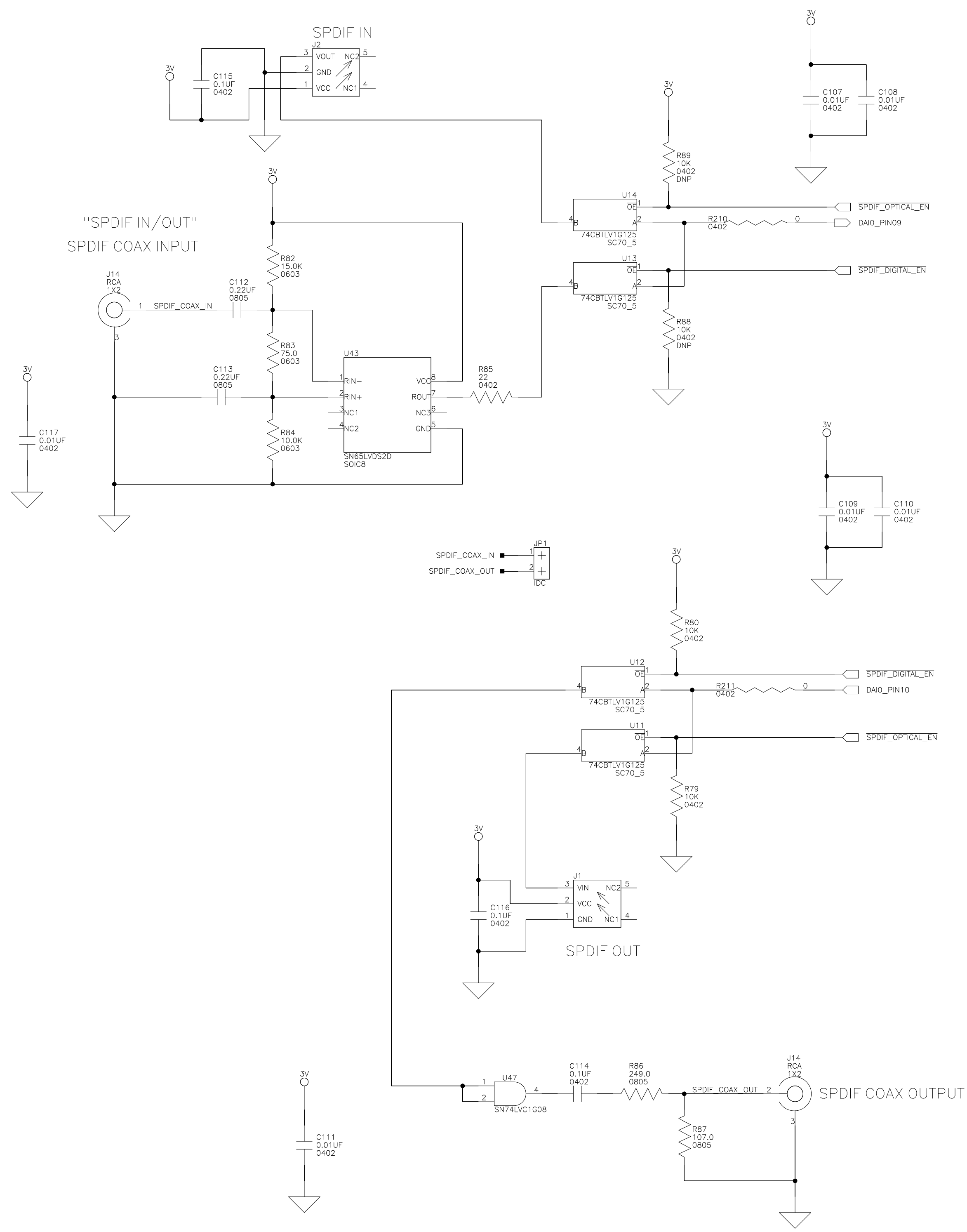



A

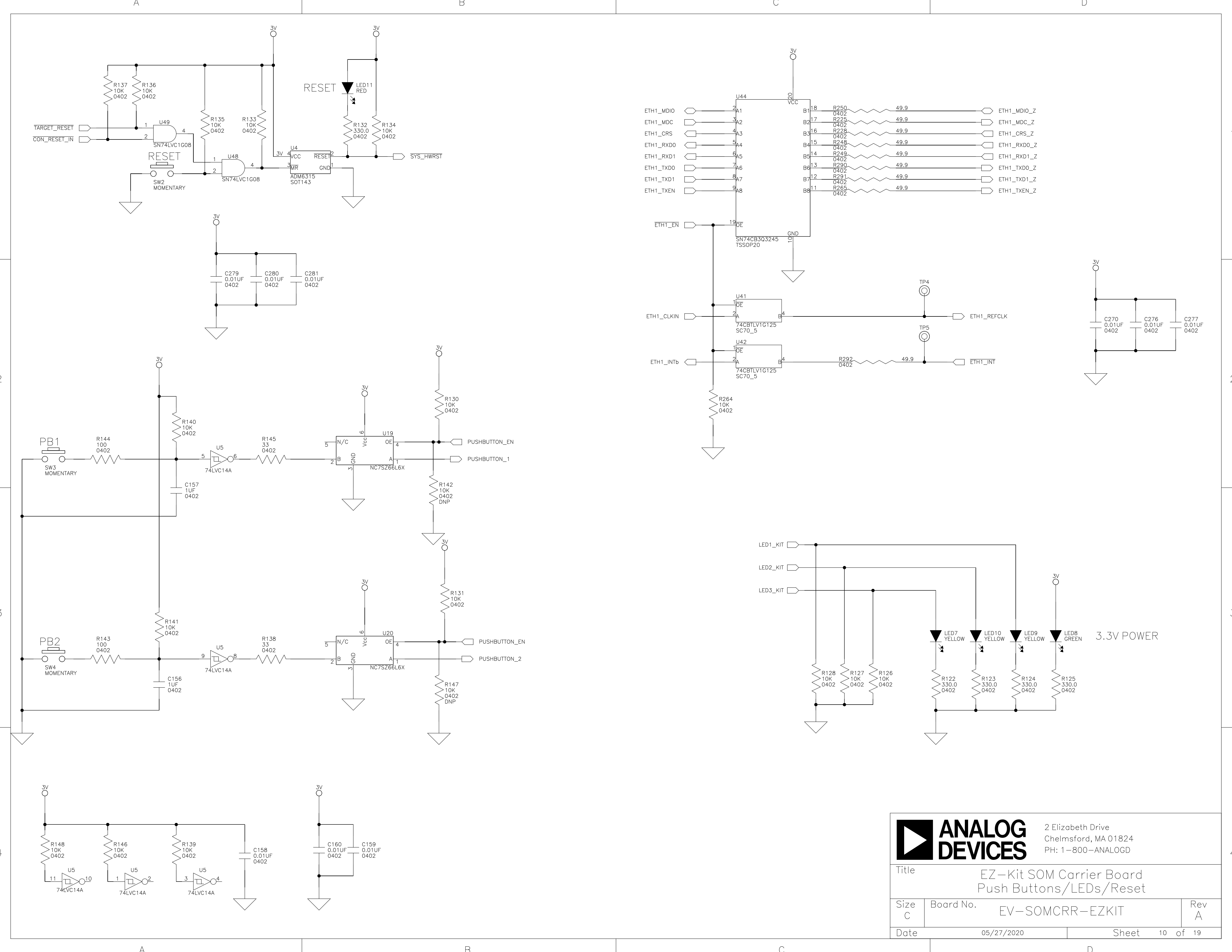
B


C

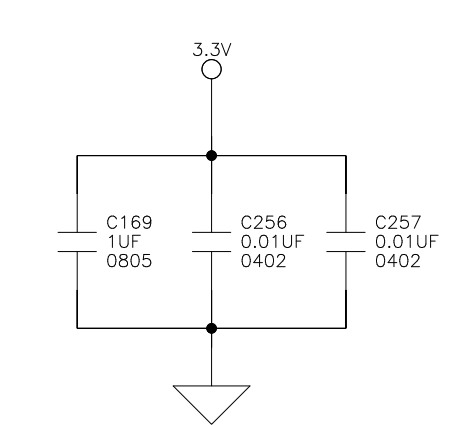
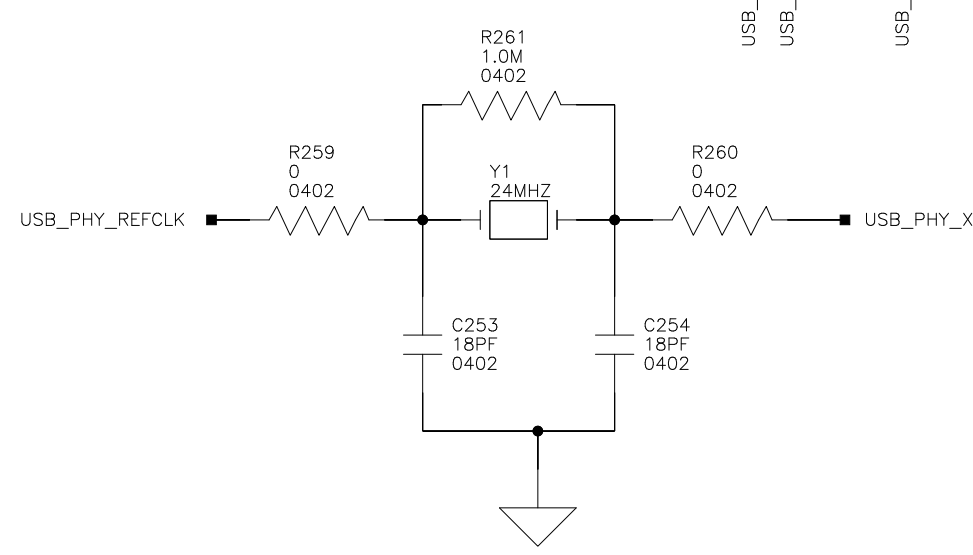
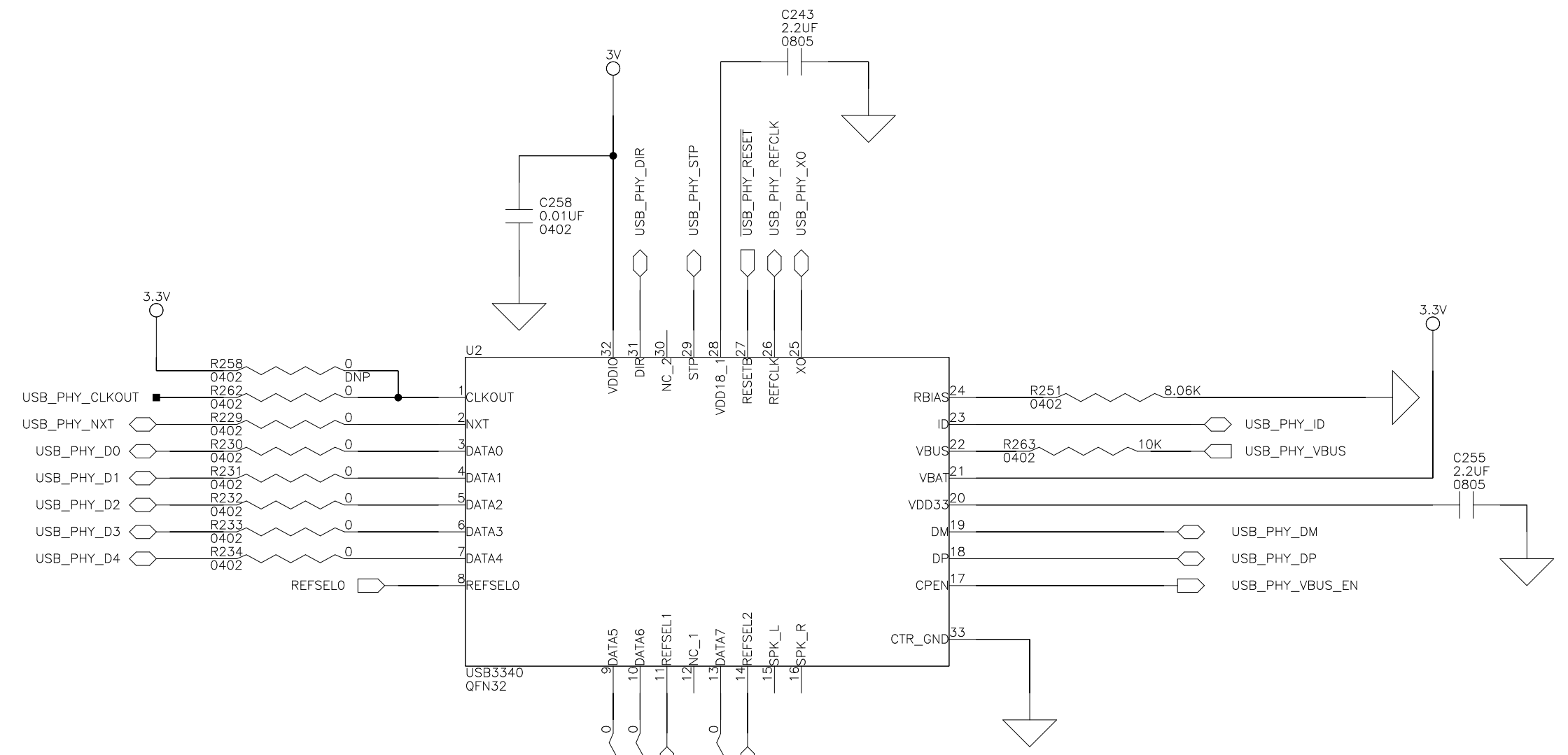
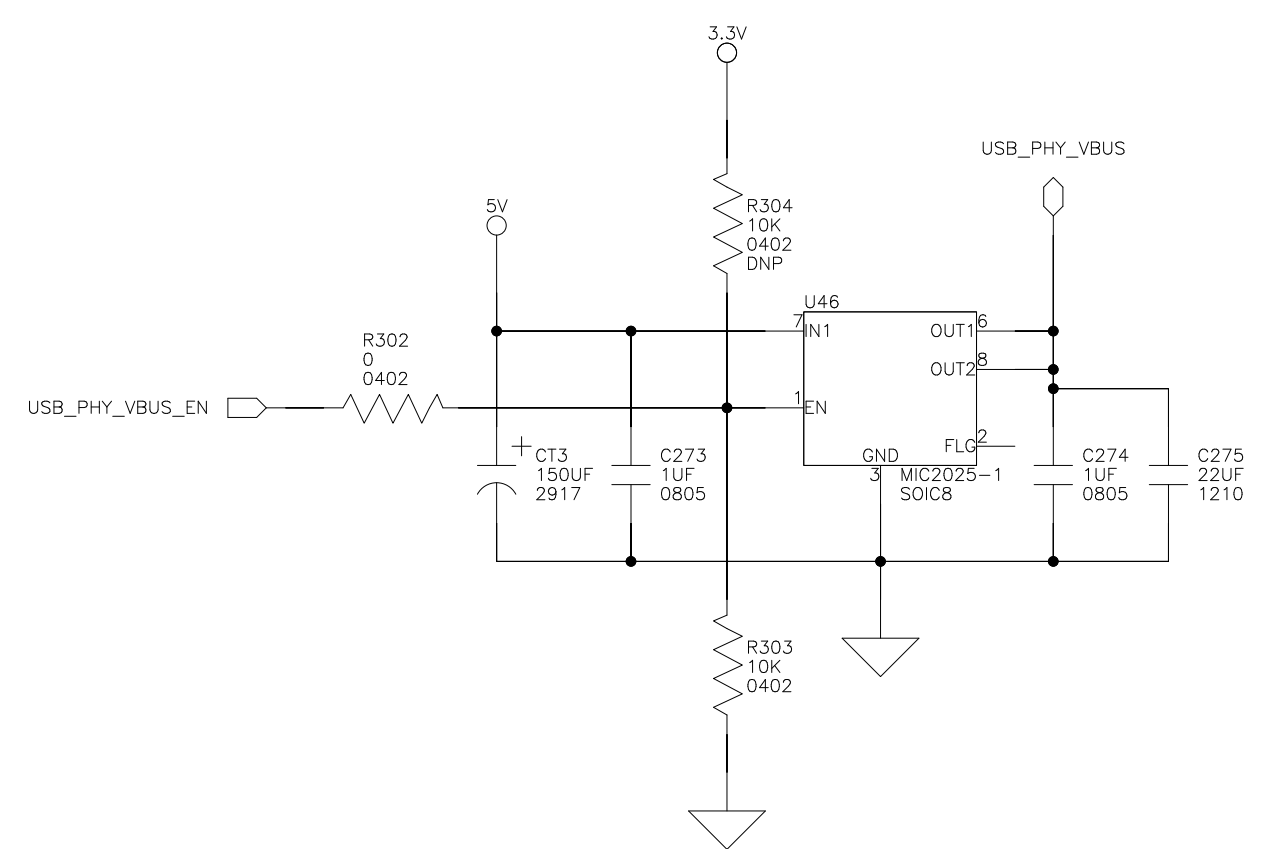
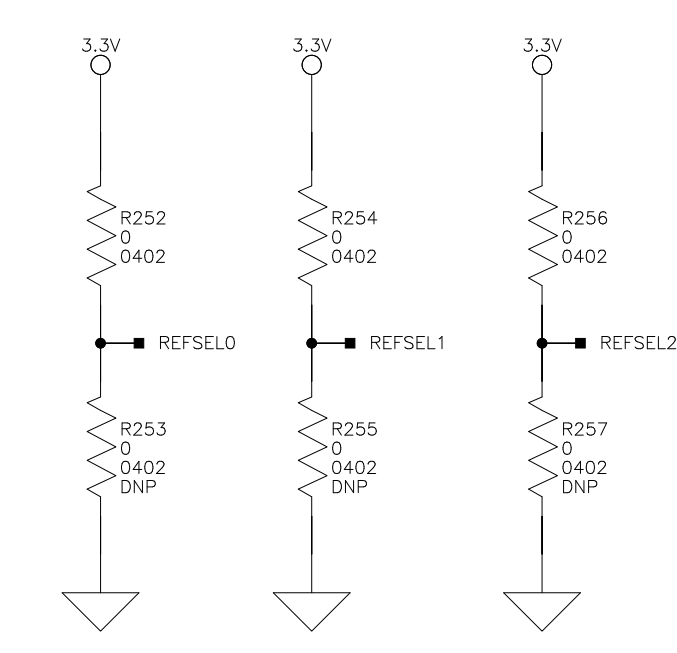
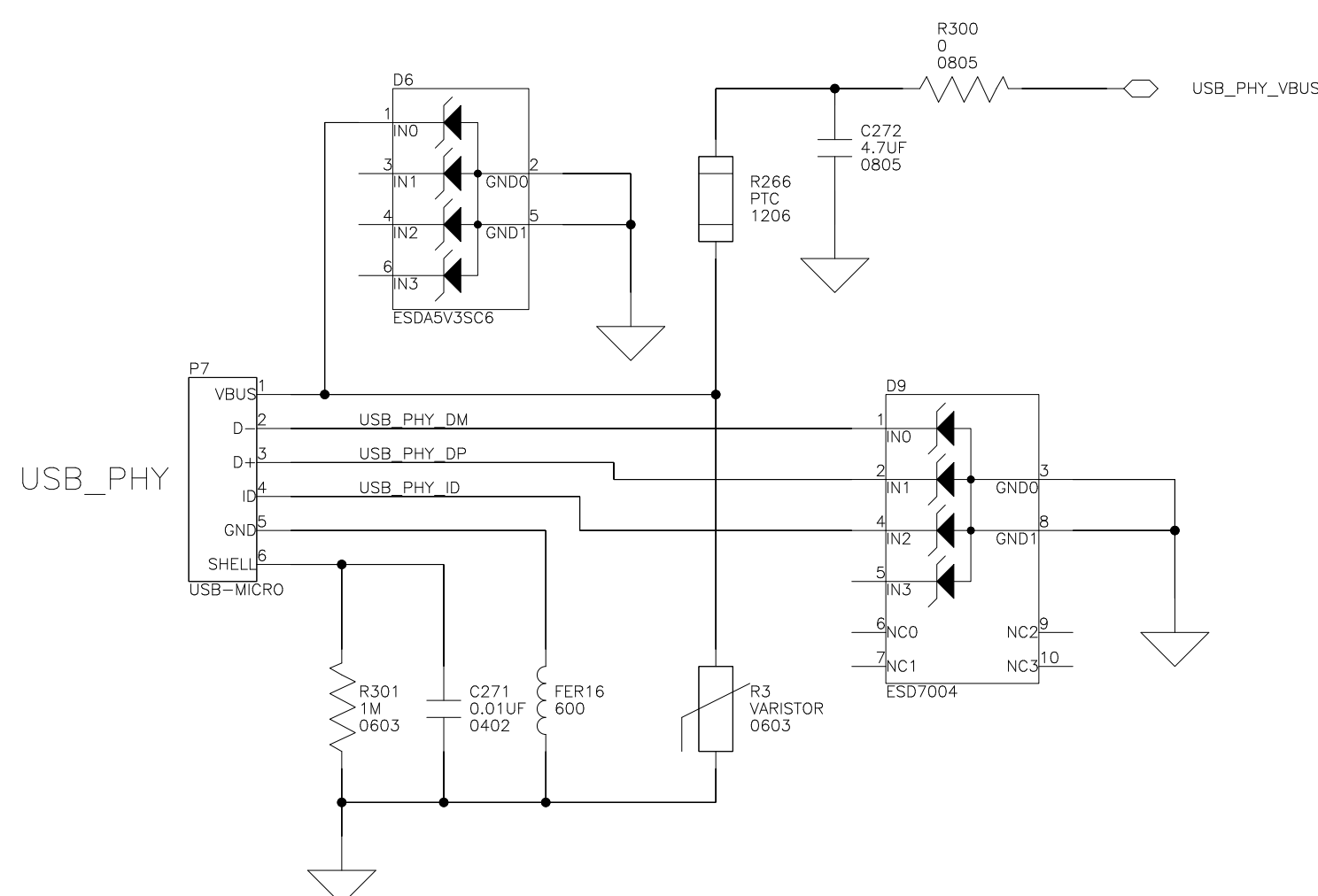
D



		2 Elizabeth Drive Chelmsford, MA 01824 PH: 1-800-ANALOGD	
		Title EZ-Kit SOM Carrier Board SPDIF	
Size C	Board No. EV-SOMCRR-EZKIT	Rev A	
Date 05/27/2020	Sheet 9 of 19		



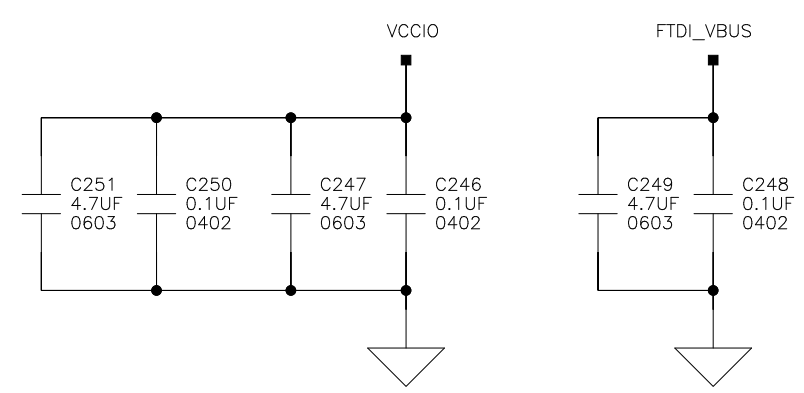
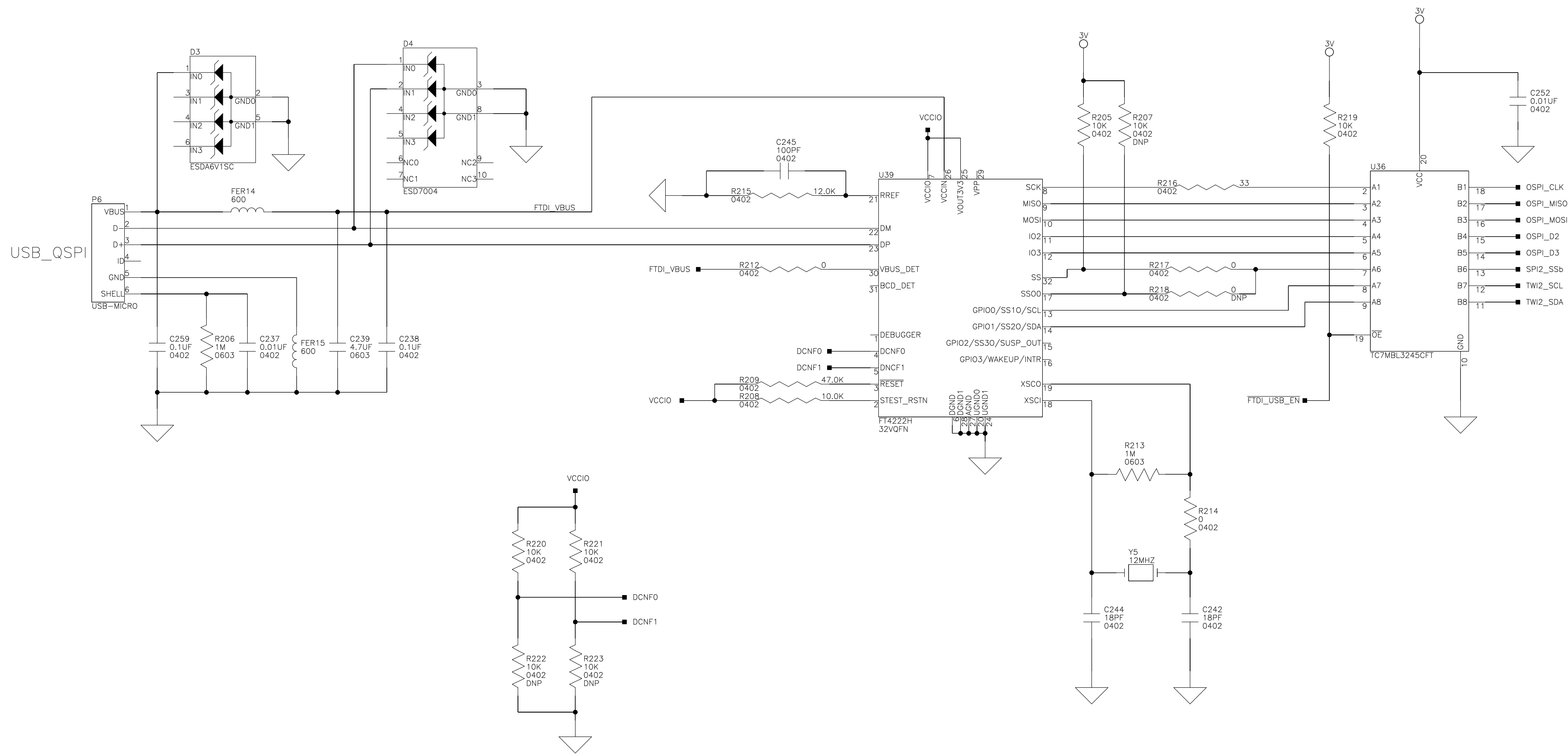
		2 Elizabeth Drive Chelmsford, MA 01824 PH: 1-800-ANALOGD	
Title EZ-Kit SOM Carrier Board Push Buttons/LEDs/Reset			
Size C	Board No. EV-SOMCRR-EZKIT	Rev A	
Date 05/27/2020	Sheet 10 of 19		




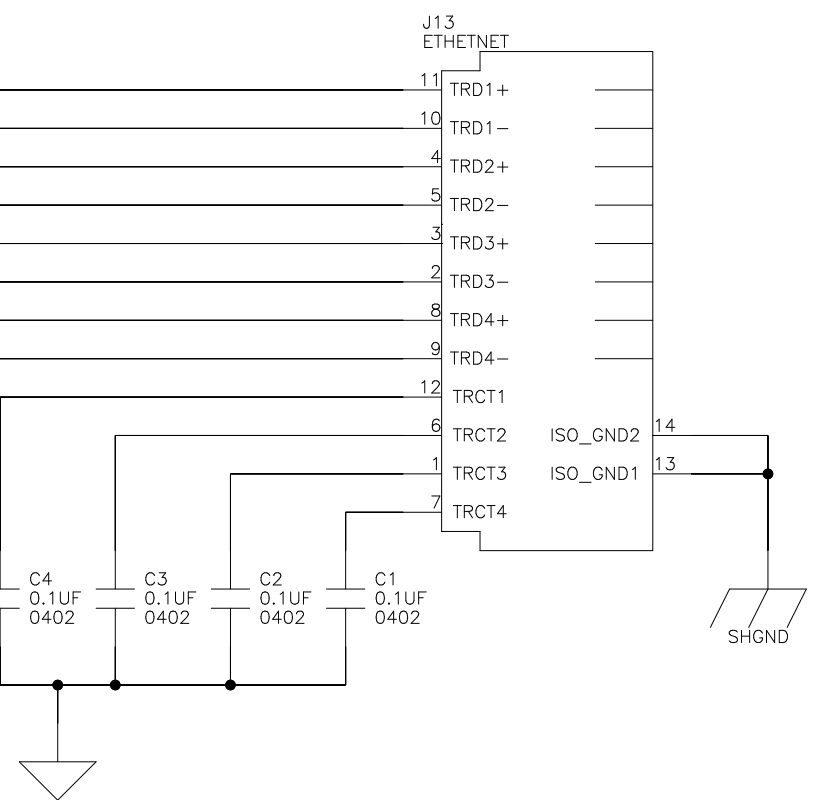
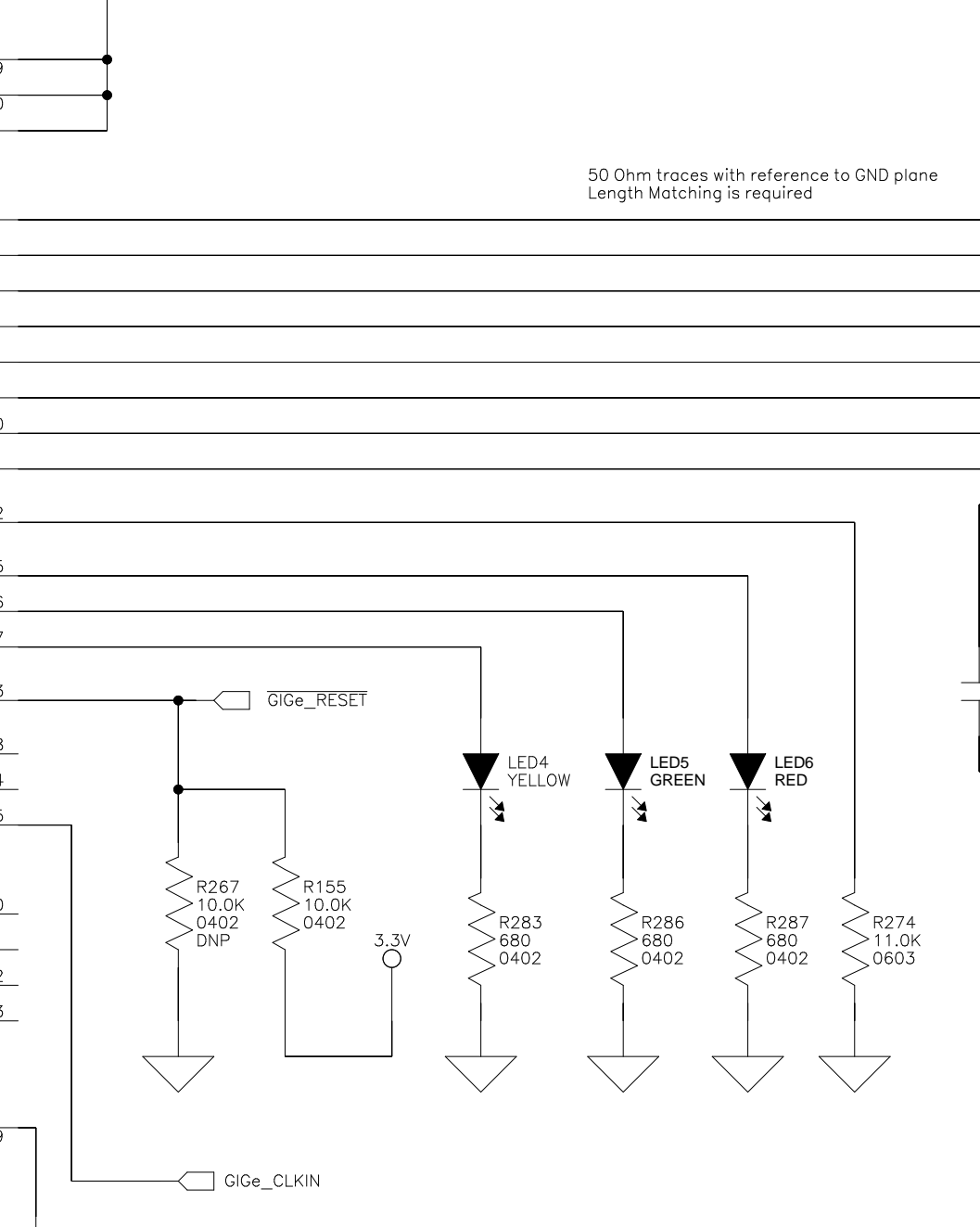
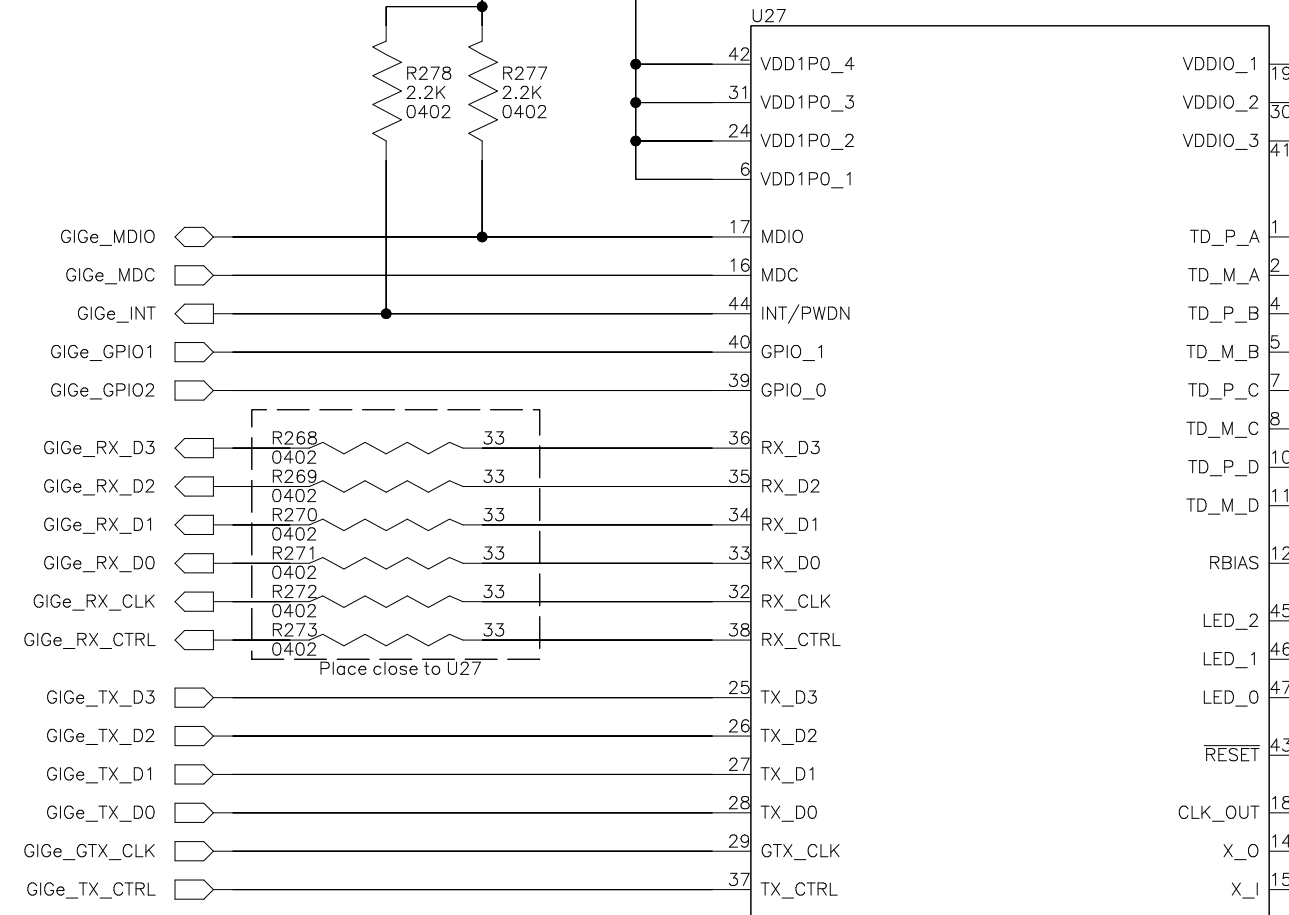
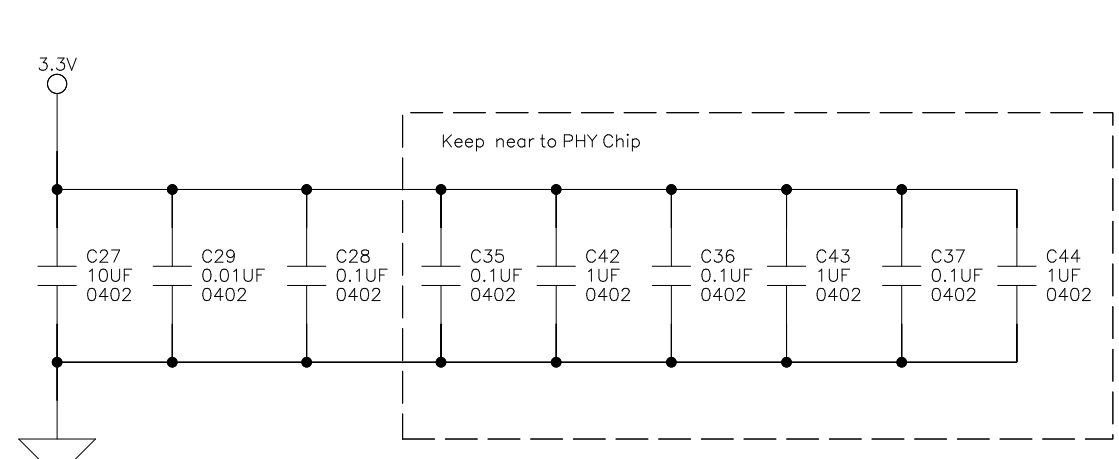
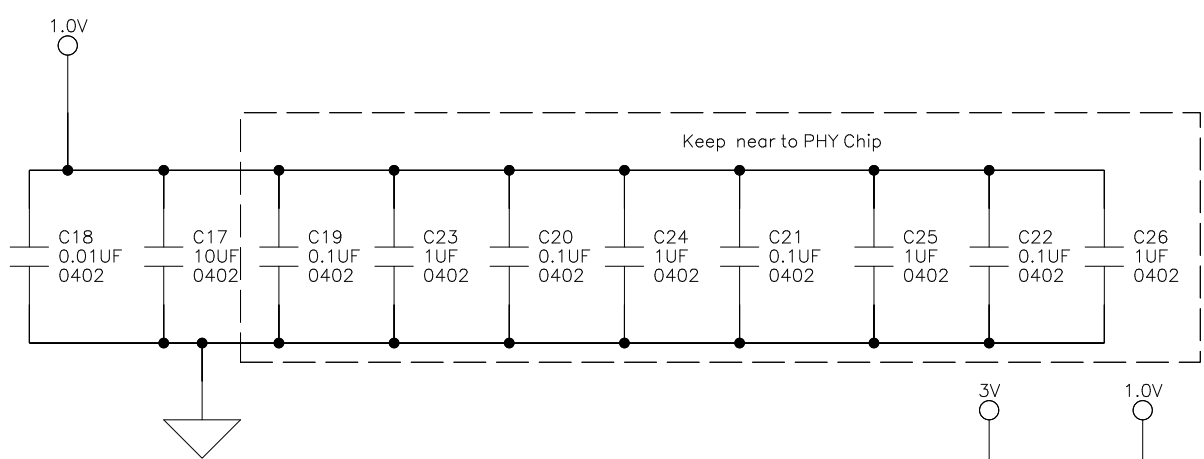
**ANALOG DEVICES**  
 2 Elizabeth Drive  
 Chelmsford, MA 01824  
 PH: 1-800-ANALOG

Title: EZ-Kit SOM Carrier Board  
 USB3340 PHY

Size C	Board No. EV-SOMCRR-EZKIT	Rev A
Date 05/27/2020	Sheet 11 of 19	

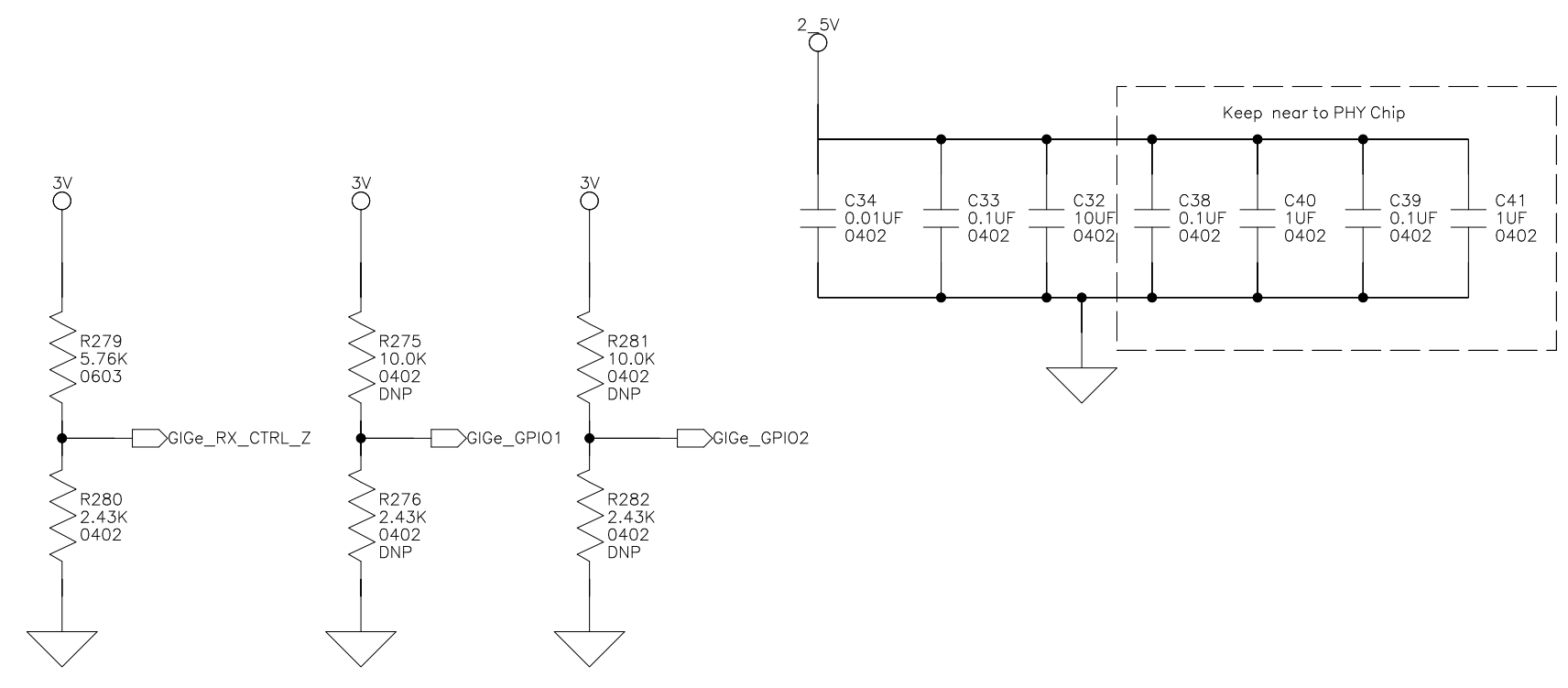
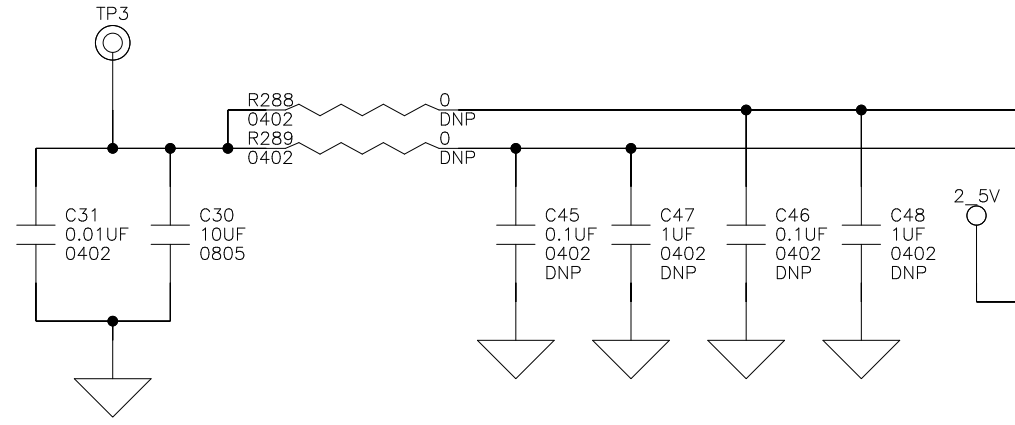


		2 Elizabeth Drive Chelmsford, MA 01824 PH: 1-800-ANALOGD	
		Title EZ-Kit SOM Carrier Board USB QSPI	
Size C	Board No. EV-SOMCRR-EZKIT	Rev A	
Date 05/27/2020	Sheet 12 of 19		



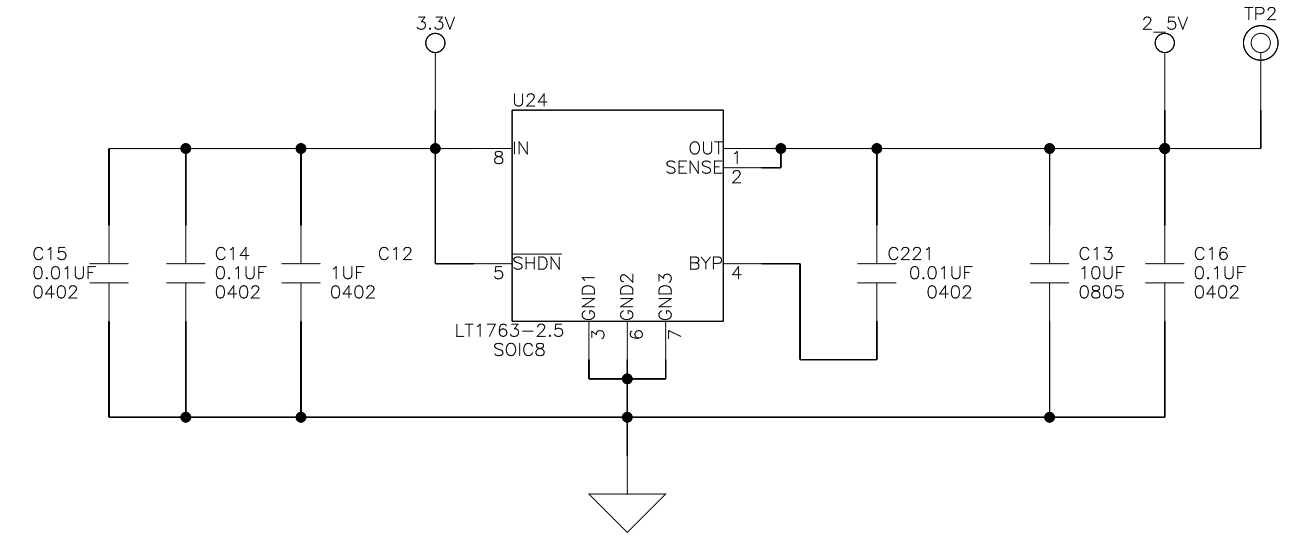
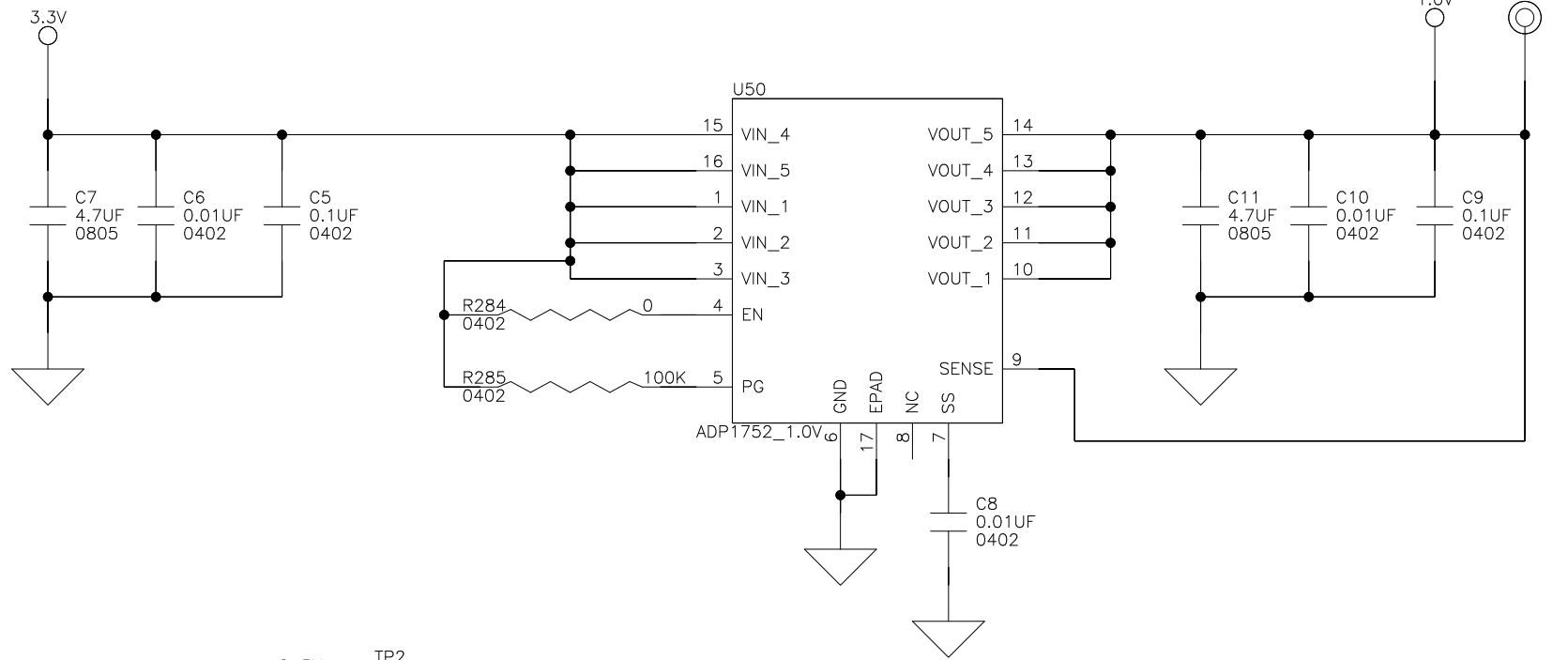
LED Configuration

LED4: Link established  
 LED5: 1000BT Link established  
 LED6: RX/TX Data blinking



**Strap Configuration**

RX_D0: MODE 1	- PHY_ADD1 0 and PHY_ADD0 0
RX_D2: MODE 1	- PHY_ADD3 0 and PHY_ADD2 0
RX_DV/RX_CTRL	- MODE 3 - Autoneg Disable 0
GPIO_0: MODE 1	- RGMII Clock Skew RX[0] 0
GPIO_1: MODE 1	- RGMII Clock Skew RX[2] 0 and RX[1] 0 --> Clock Skew 2.0nS
LED0: MODE 1	- Mirror Enable 0
LED1: MODE 1	- ANEG_SEL 0 & RGMII Clock Skew TX[2] 0
LED2: MODE 1	- RGMII Clock Skew TX[1] 0 and TX[0] 0 --> Clock Skew 2.0nS

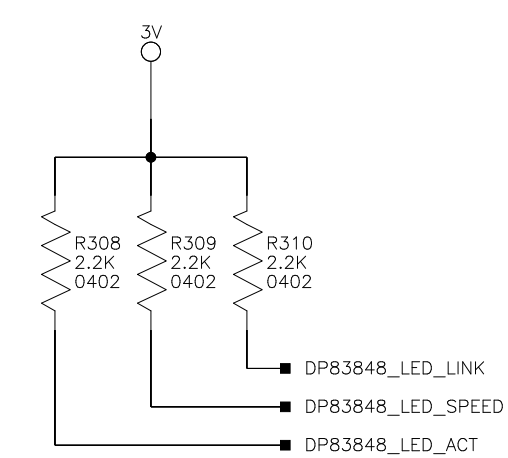
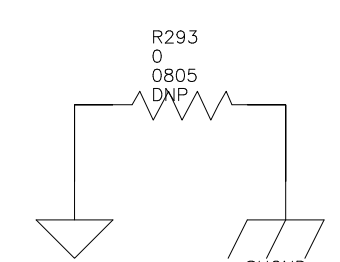
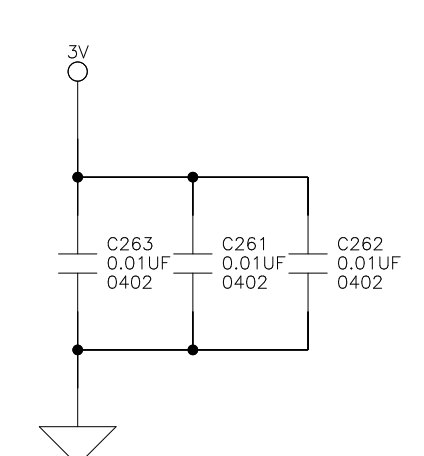
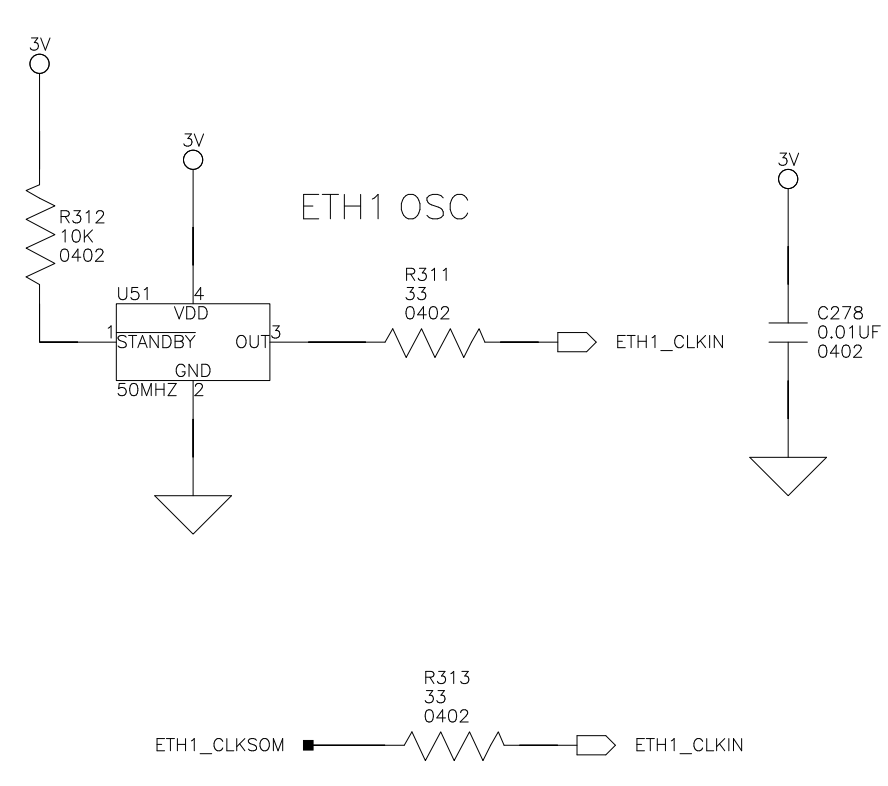
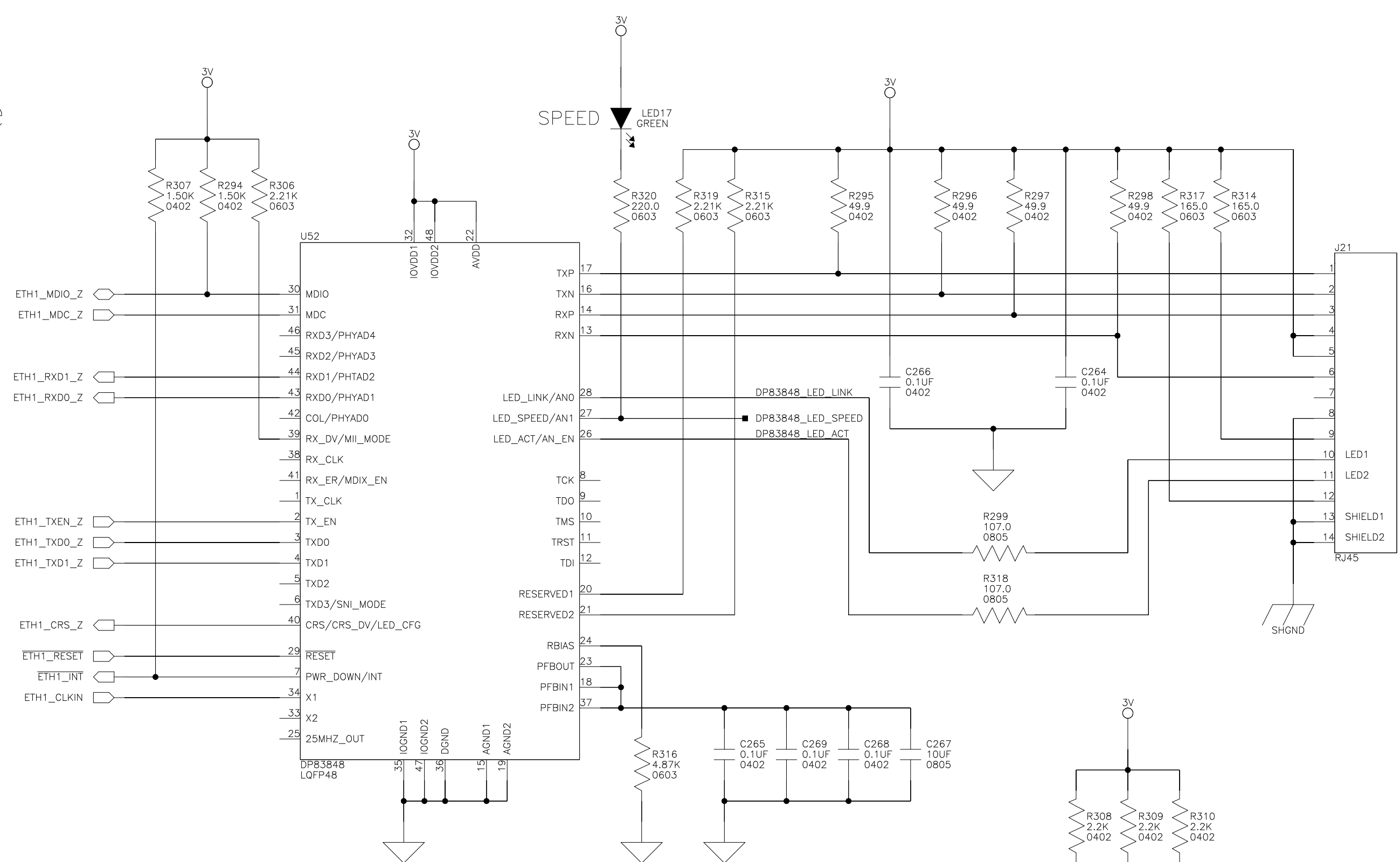



2 Elizabeth Drive  
 Chelmsford, MA 01824  
 PH: 1-800-ANALOGD

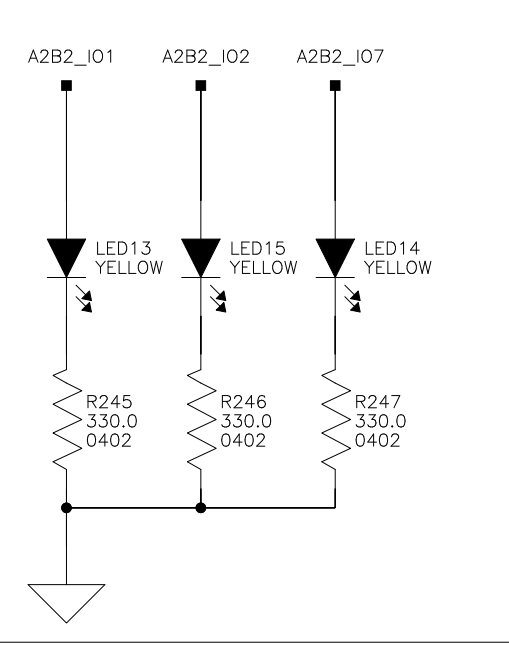
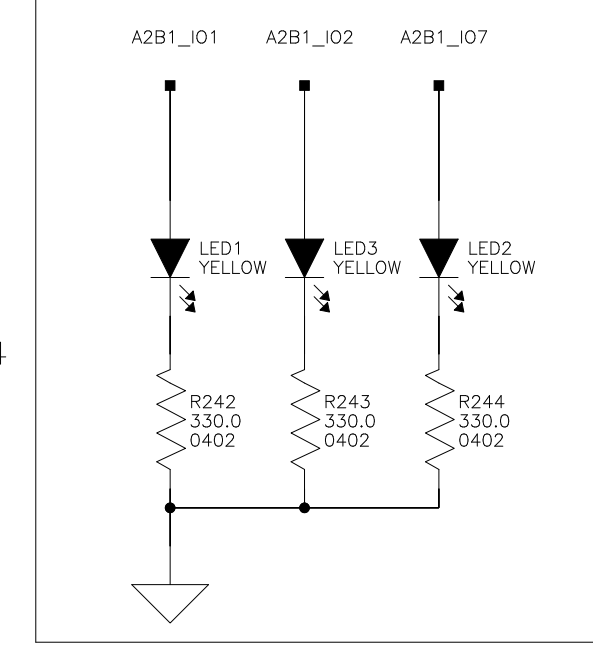
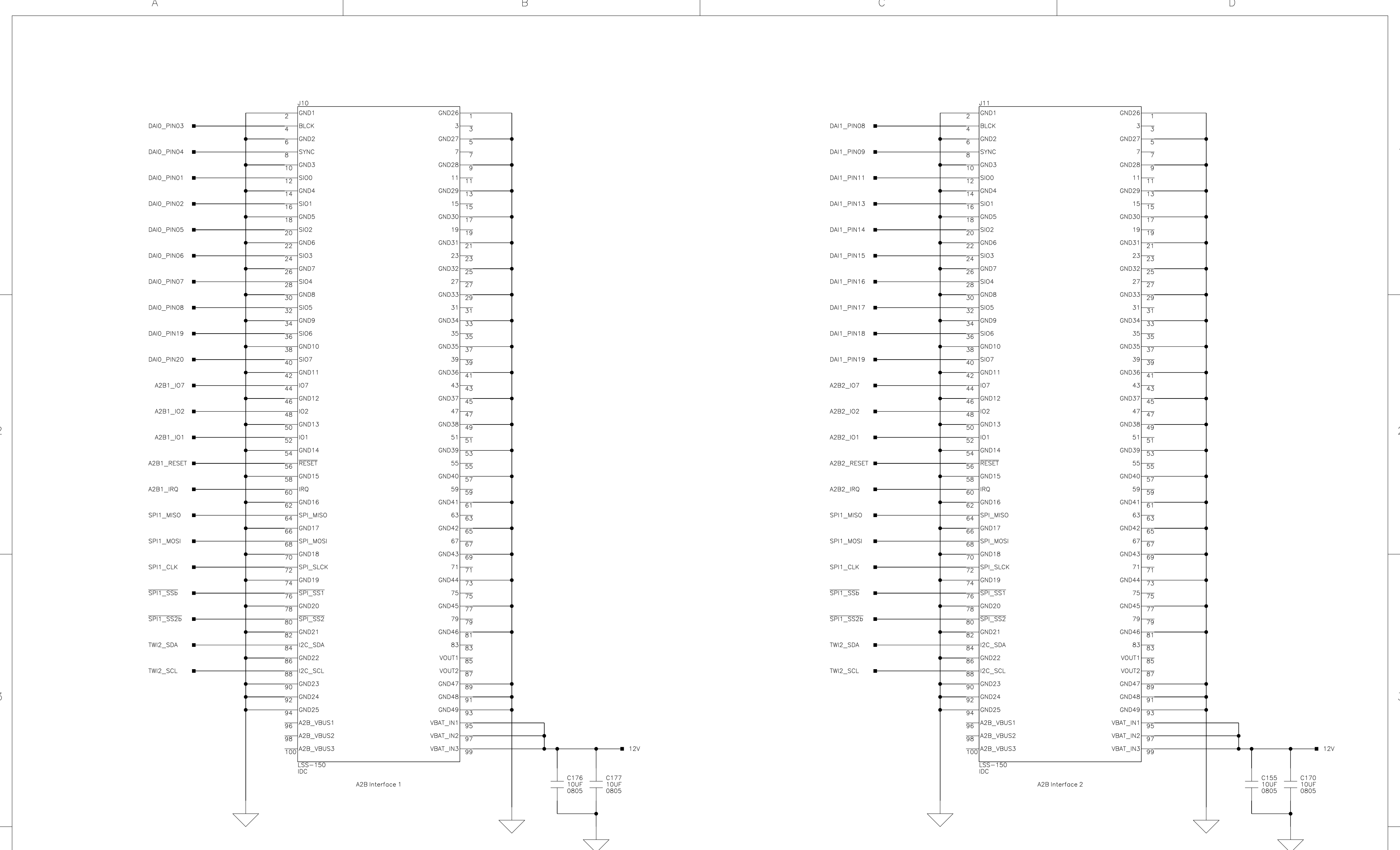
Title: EZ-Kit SOM Carrier Board DP83867		
Size: C	Board No.: EV-SOMCRR-EZKIT	Rev: A
Date: 05/27/2020	Sheet 13 of 19	


RMII Mode

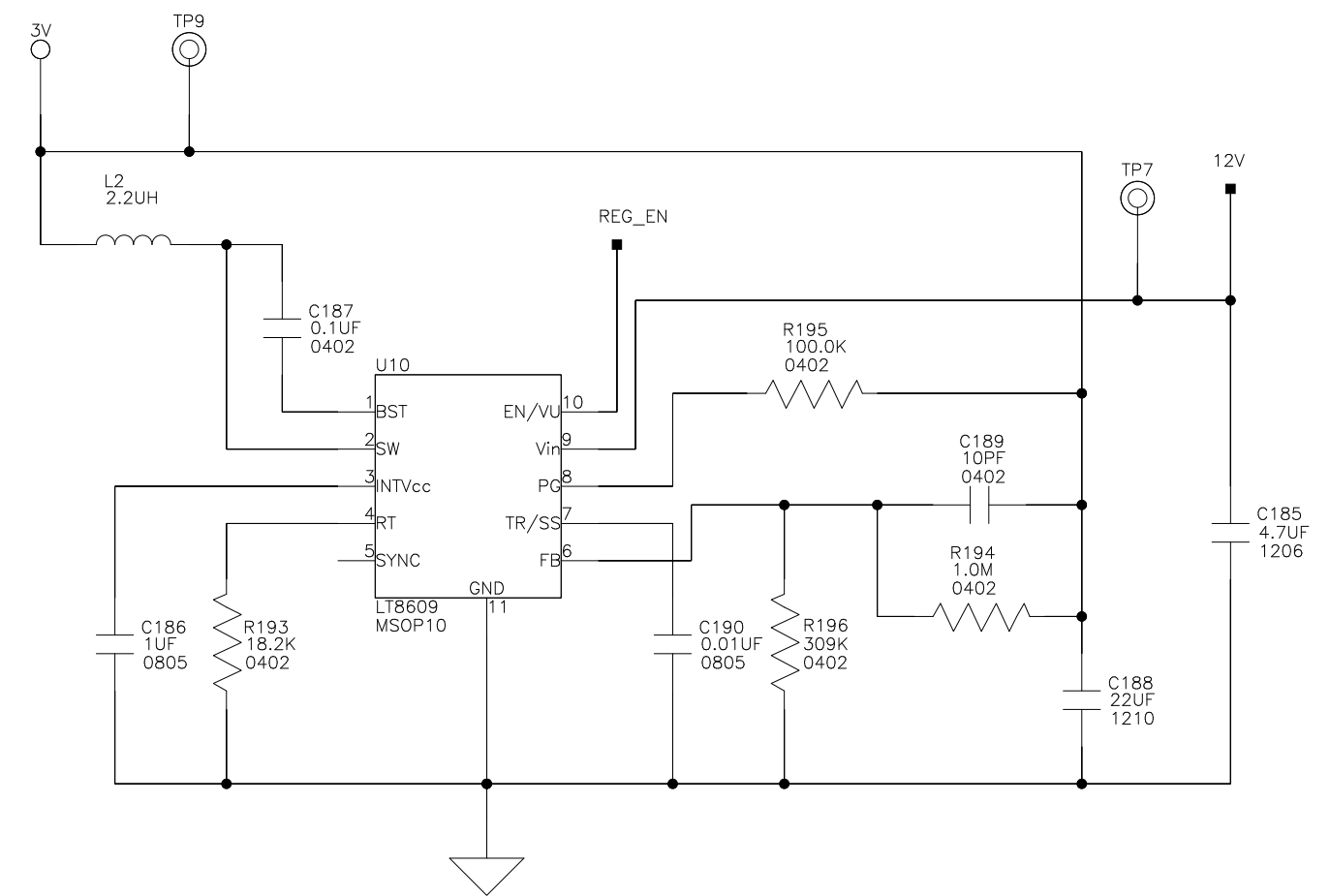
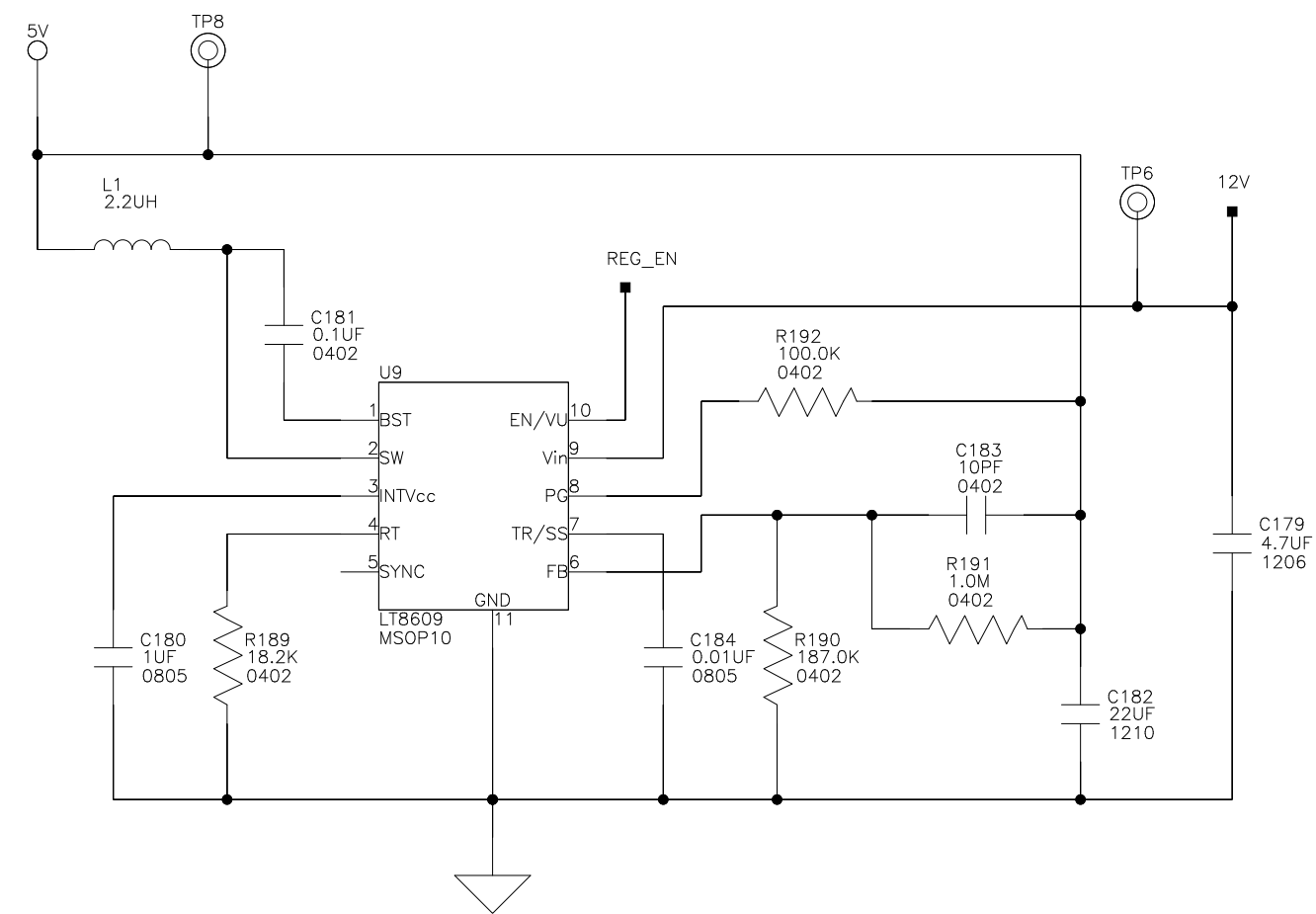
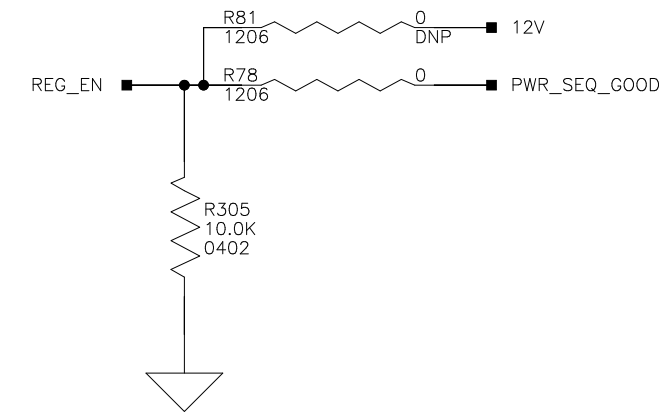
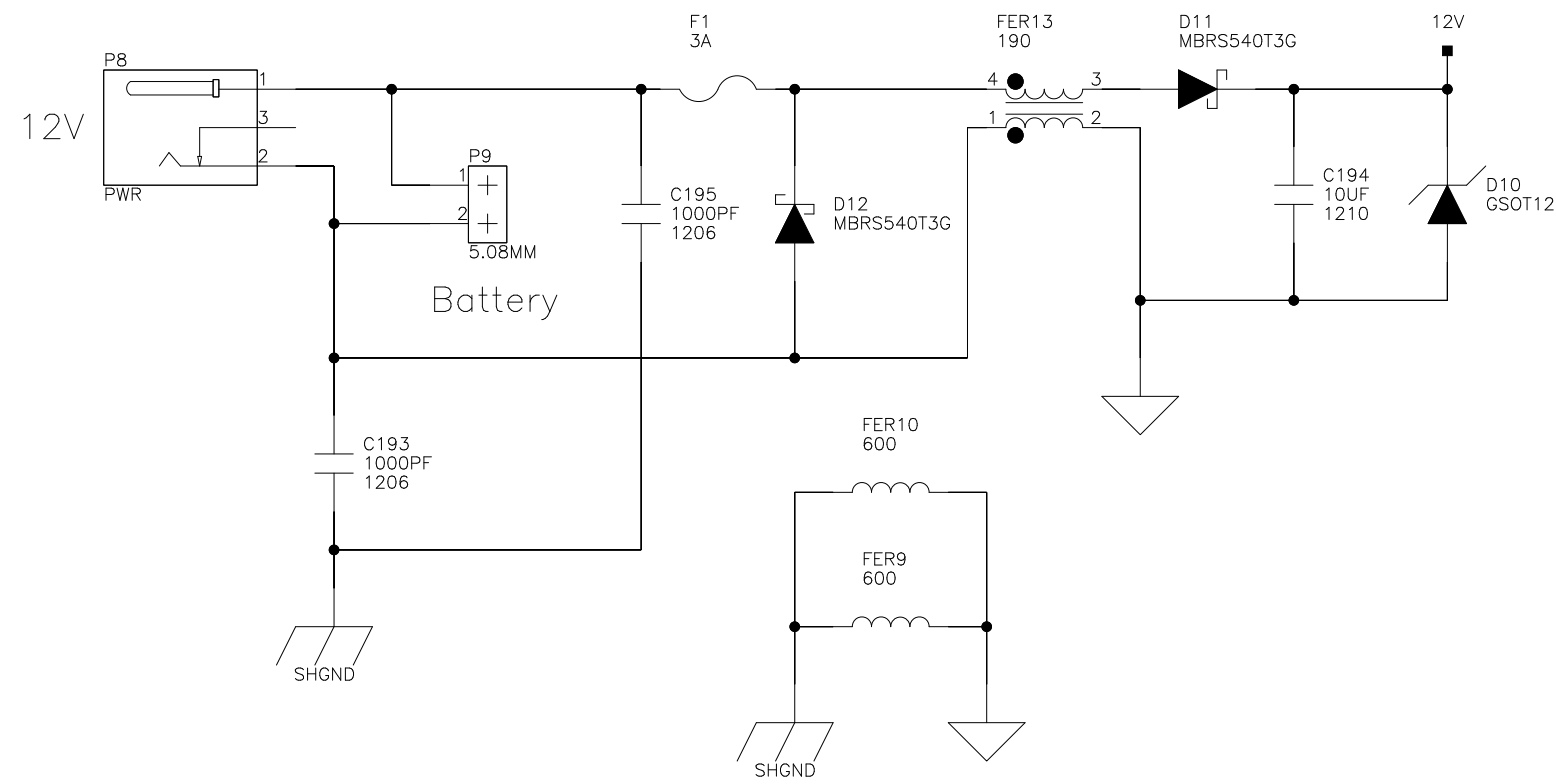
PHY Address 0x01




		2 Elizabeth Drive Chelmsford, MA 01824 PH: 1-800-ANALOGD	
		Title EZ-Kit SOM Carrier Board DP83848	
Size C	Board No. EV-SOMCRR-EZKIT	Rev A	
Date 05/27/2020	Sheet 14 of 19		

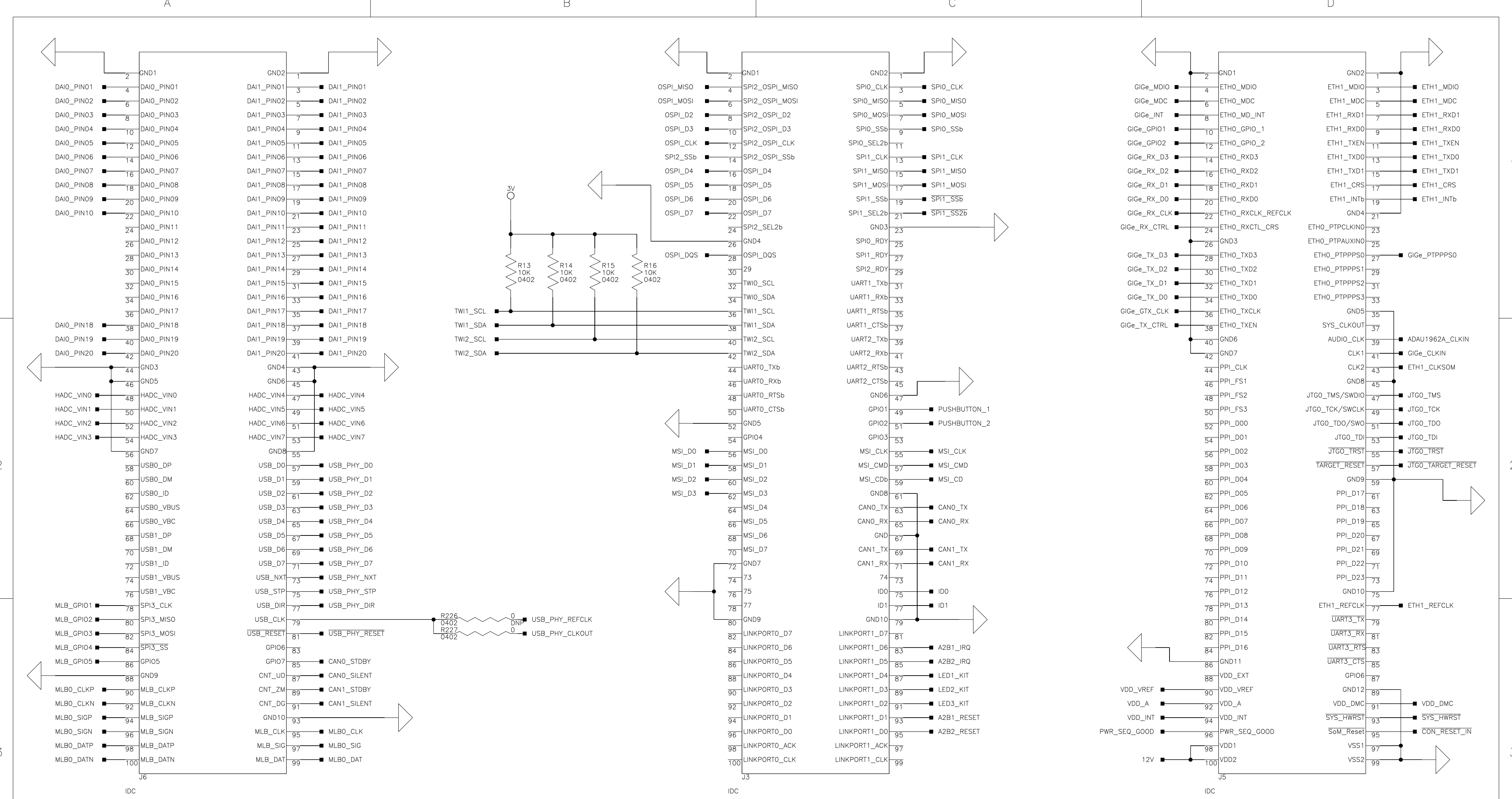



		2 Elizabeth Drive Chelmsford, MA 01824 PH: 1-800-ANALOGD	
		Title EZ-Kit SOM Carrier Board A2B Interface	
Size C	Board No. EV-SOMCRR-EZKIT	Rev A	
Date 05/27/2020	Sheet 15 of 19		

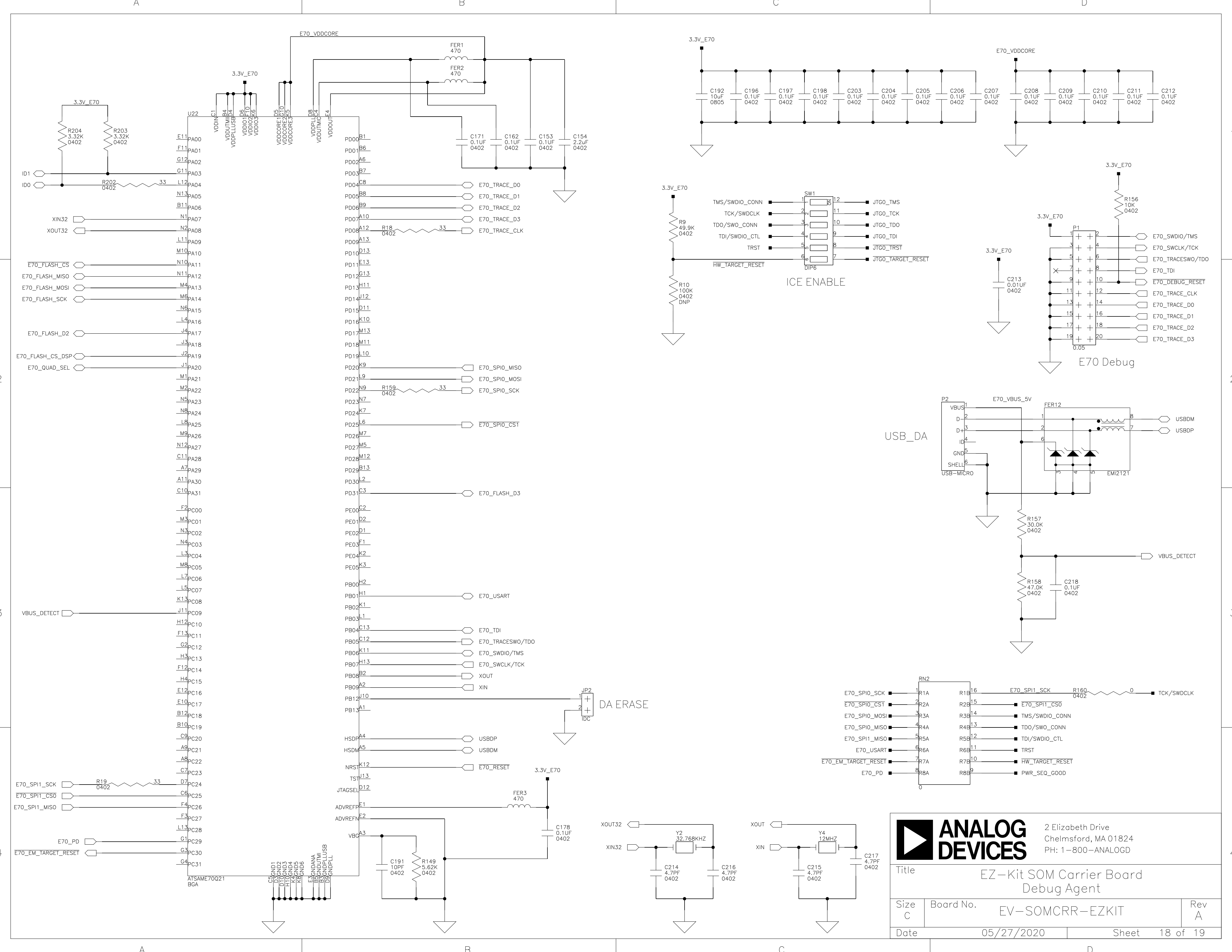


		2 Elizabeth Drive Chelmsford, MA 01824 PH: 1-800-ANALOG	
		Title EZ-Kit SOM Carrier Board Power	
Size C	Board No.	EV-SOMCRR-EZKIT	Rev A
Date	05/27/2020	Sheet 16	of 19





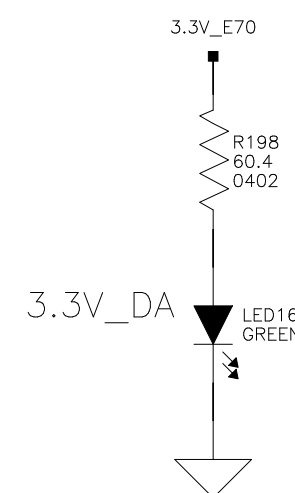
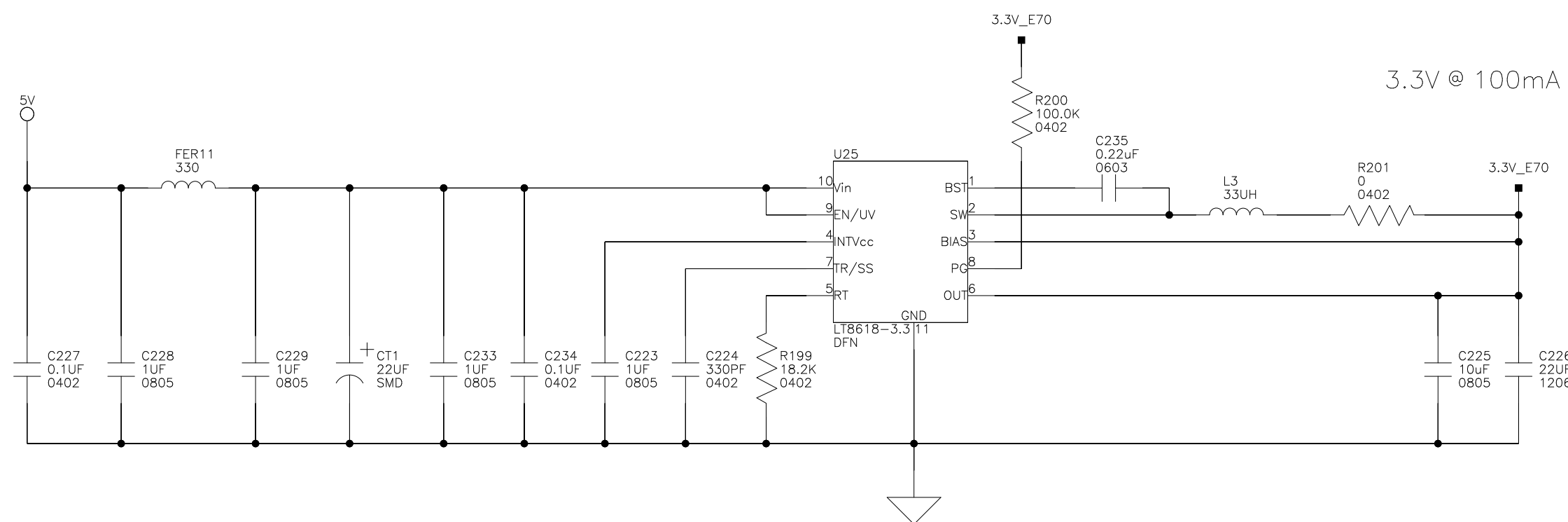
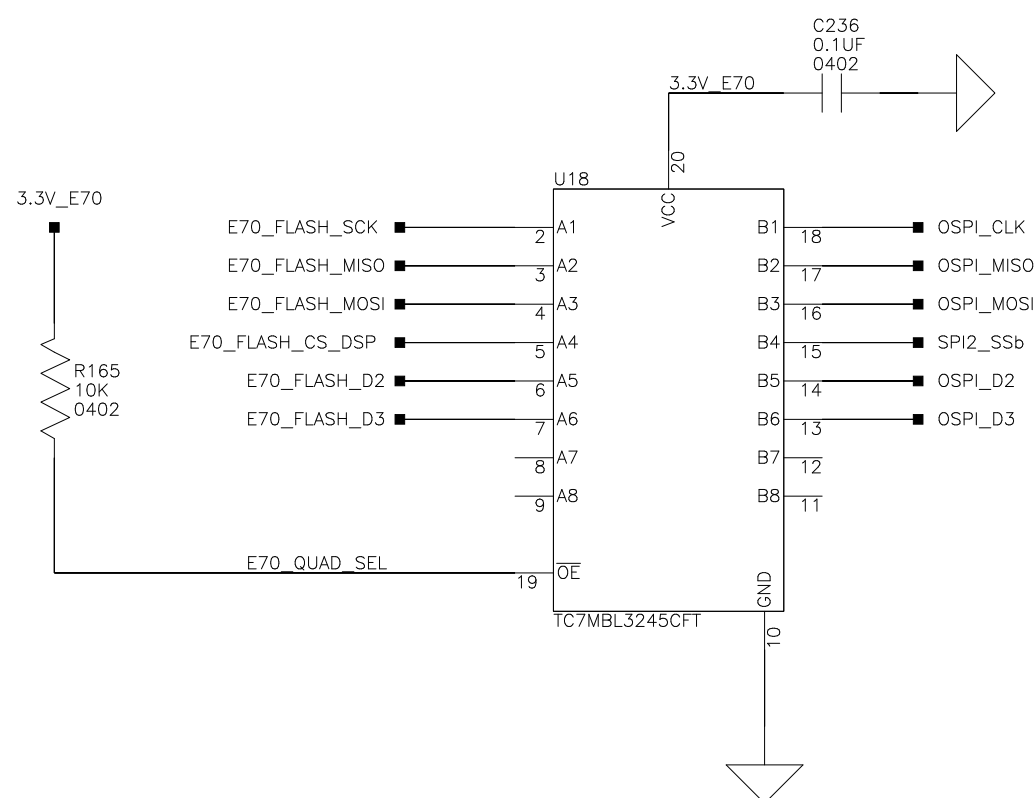
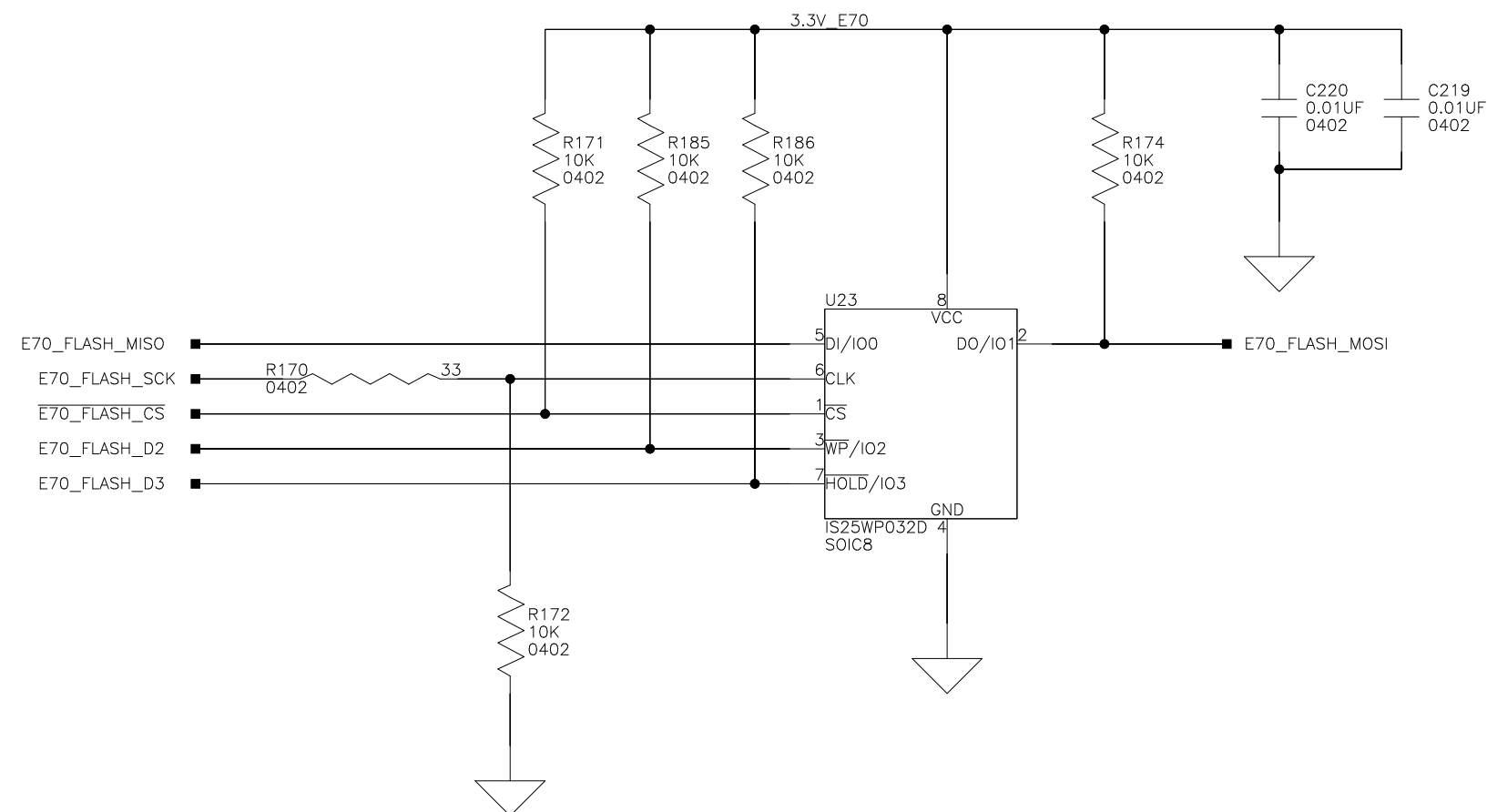
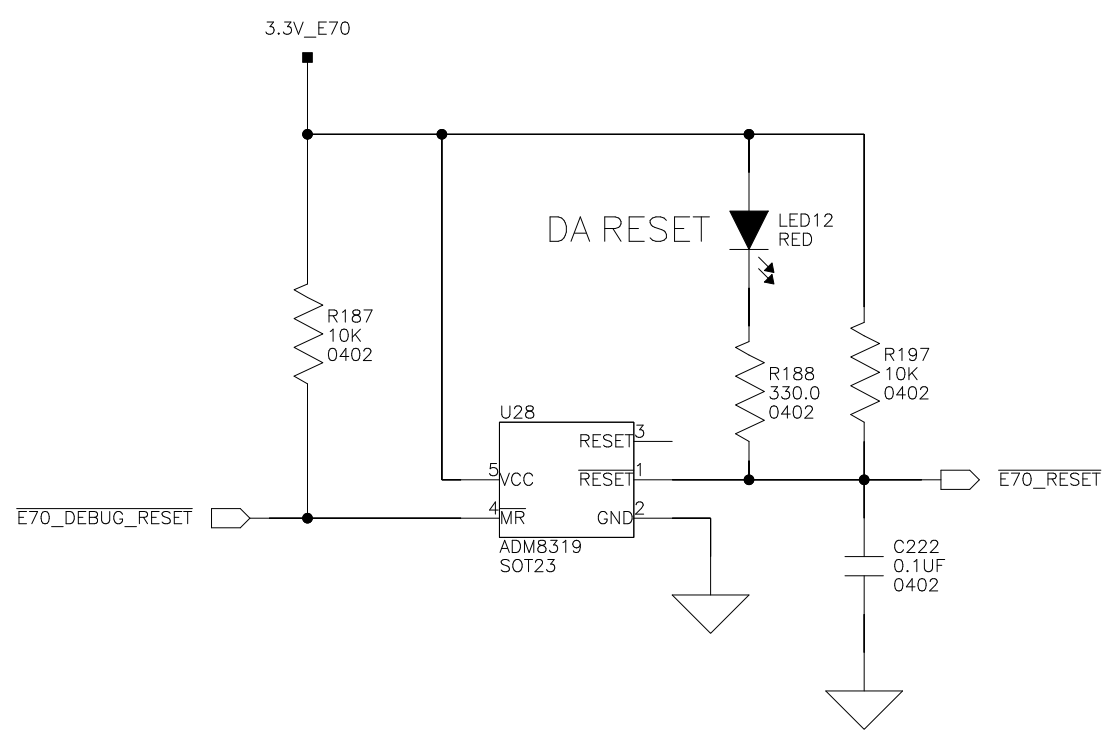
		2 Elizabeth Drive Chelmsford, MA 01824 PH: 1-800-ANALOGD	
		Title: EZ-Kit SOM Carrier Board High Speed Connectors	
Size C	Board No. EV-SOMCRR-EZKIT	Rev A	
Date 05/27/2020	Sheet 17 of 19		




**ANALOG DEVICES**  
 2 Elizabeth Drive  
 Chelmsford, MA 01824  
 PH: 1-800-ANALOGD

Title: EZ-Kit SOM Carrier Board Debug Agent

Size: C	Board No.: EV-SOMCRR-EZKIT	Rev: A
Date: 05/27/2020	Sheet: 18 of 19	



		2 Elizabeth Drive Chelmsford, MA 01824 PH: 1-800-ANALOG	
		Title EZ-Kit SOM Carrier Board Debug Agent Power	
Size C	Board No. EV-SOMCRR-EZKIT	Rev A	
Date 05/27/2020	Sheet 19 of 19		