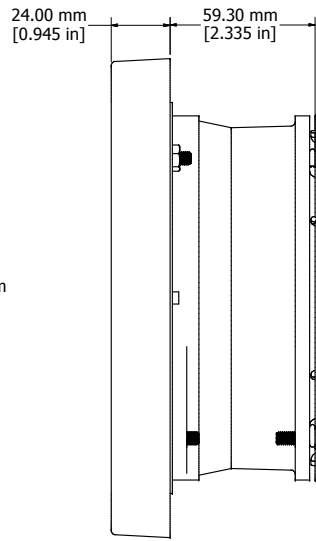
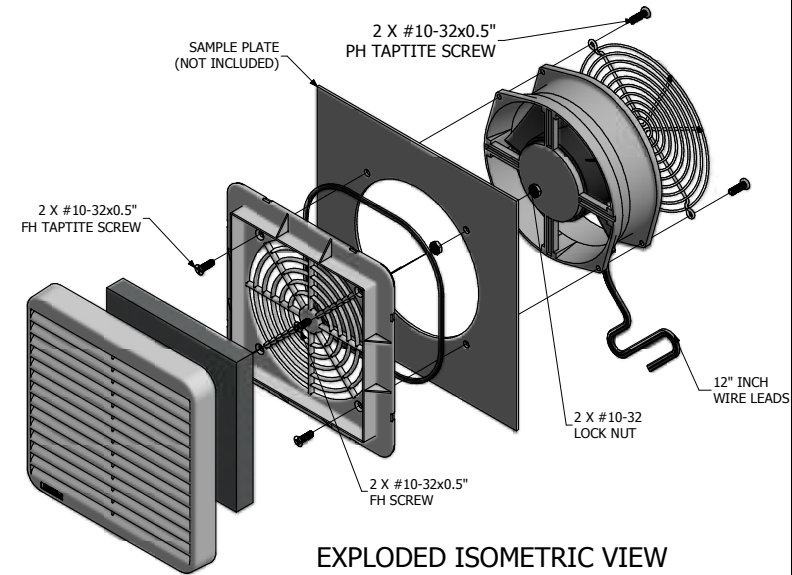


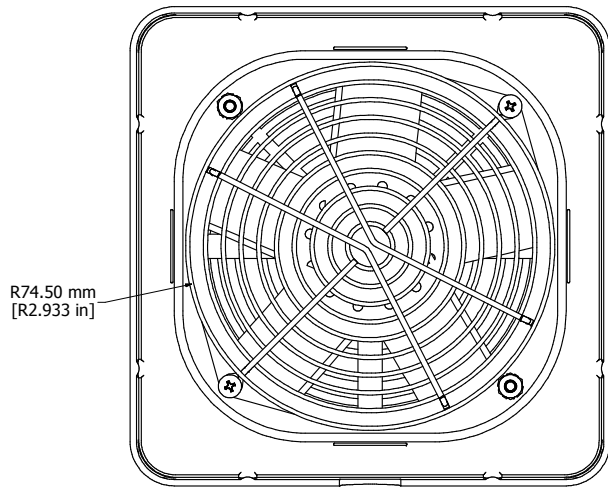
ASSEMBLY - VIEW FROM FRONT



ASSEMBLY - VIEW FROM SIDE



EXPLODED ISOMETRIC VIEW



ASSEMBLY - VIEW FROM REAR

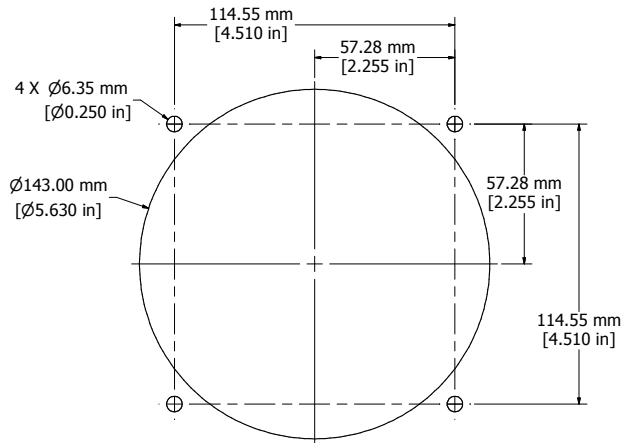


PLATE CUTOUT

DNFF150**230	
Finish - Front Screen - ABS Plastic	
- Back Panel - ABS Plastic	
Rated - 230 VAC, 50/60 Hz, 0.15 Amps	
Free Flow Air Delivery - 190/230 CFM	
Colours	
DNFF150BK230 - Black	
DNFF150CG230 - Gray/Beige	
DNFF150GY230 - Gray	
DNFF150LG230 - Light Gray	
Hardware	
2 Screws - Panhead Taptite 10-32 x 1/2"	
2 Screws - Flathead #10-32 x 1/2"	
2 Screws - Flathead Taptite #10-32 x 1/2"	
2 Nuts - #10-32 Locktooth	
Accessories	
PFF4000 - Standard Filter Media (Pkg of 5)	
PLFF4000 - Pleated Filter Media (Pkg of 5)	

