

D

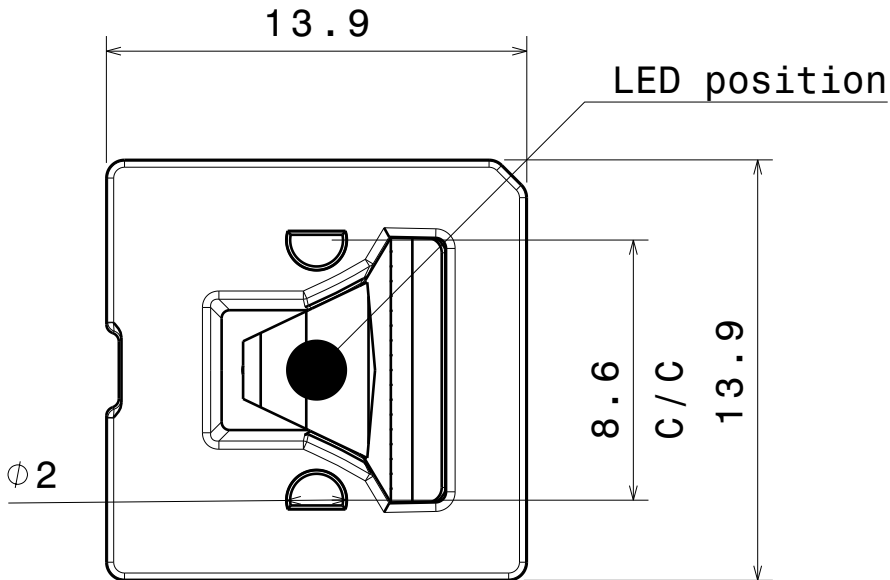
C

B

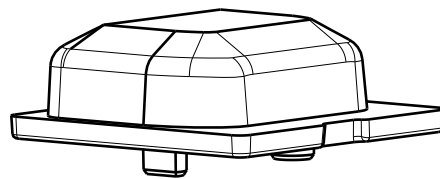
A

4

4



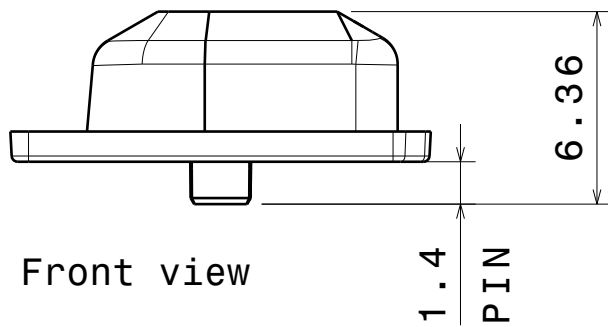
Bottom view



Isometric view
Scale: 3:1

3

3



Front view

2

2

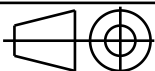
INDEX	PART NO	DESCRIPTION	MATERIAL	COLOUR
1	C14501	STRADELLA-T3	PMMA	

Tolerances if not otherwise shown
According to DIN ISO 2768-1
Linear measures:
up to 30mm class M, otherwise class C
According to DIN ISO 2768-2
Form and position: class L

LEDiL

Ledil Oy
Salorankatu 10
FIN 24240 SALO
Finland

THIRD ANGLE PROJECTION:



DRAWING TITLE

C14501_STRADELLA-T3

This drawing is the property
of LEDiL Oy. It may not be
reproduced, copied or
communicated without a written
agreement with LEDiL Oy.

SIZE PART NUMBER

A4

C14501

SCALE

4:1

WEIGHT

0,518 g

SHEET

1/1

1

1

D

A