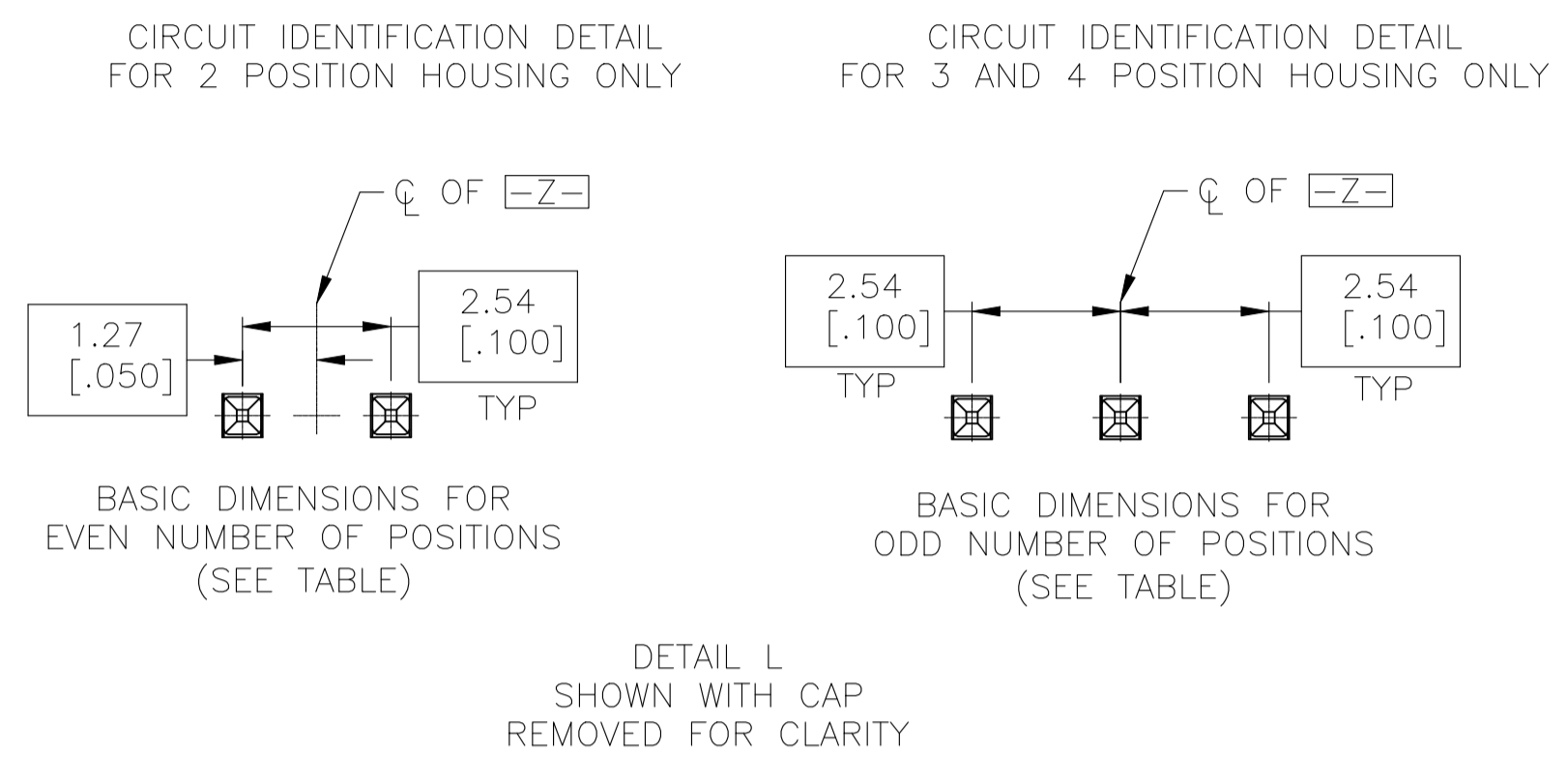
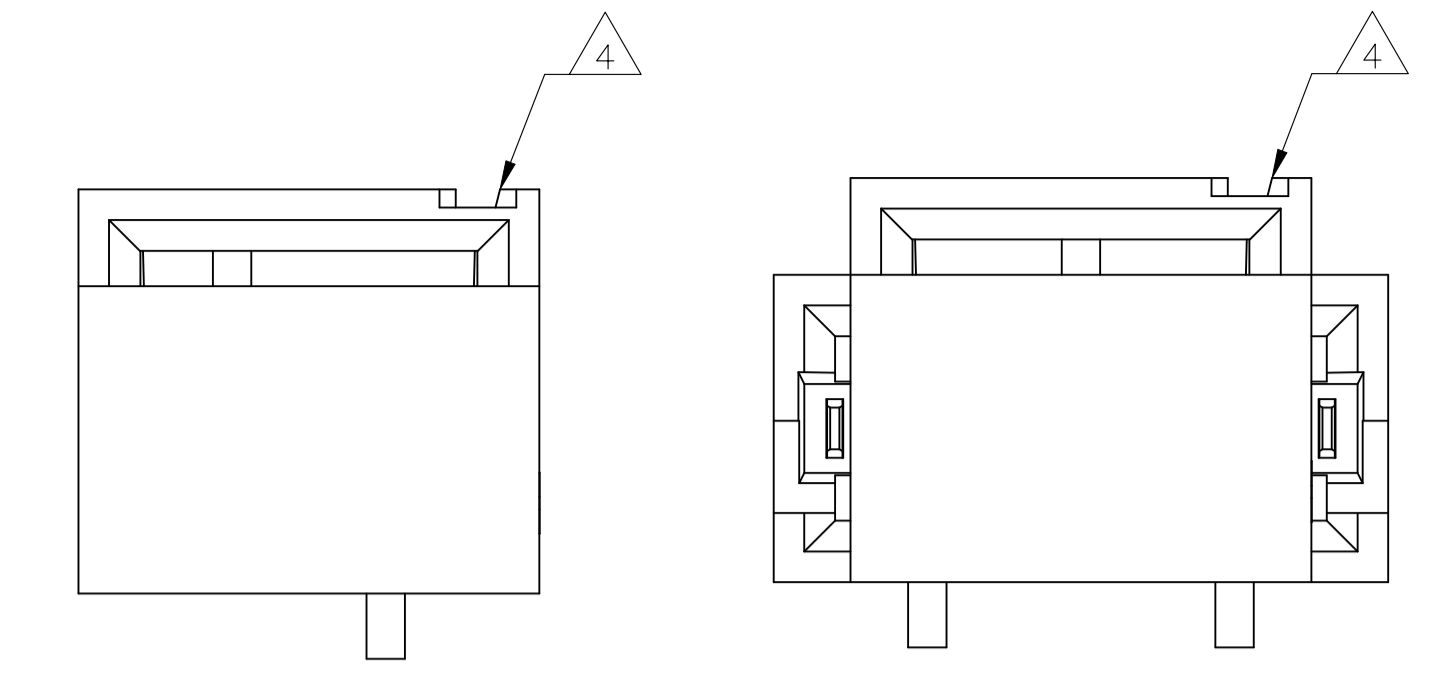
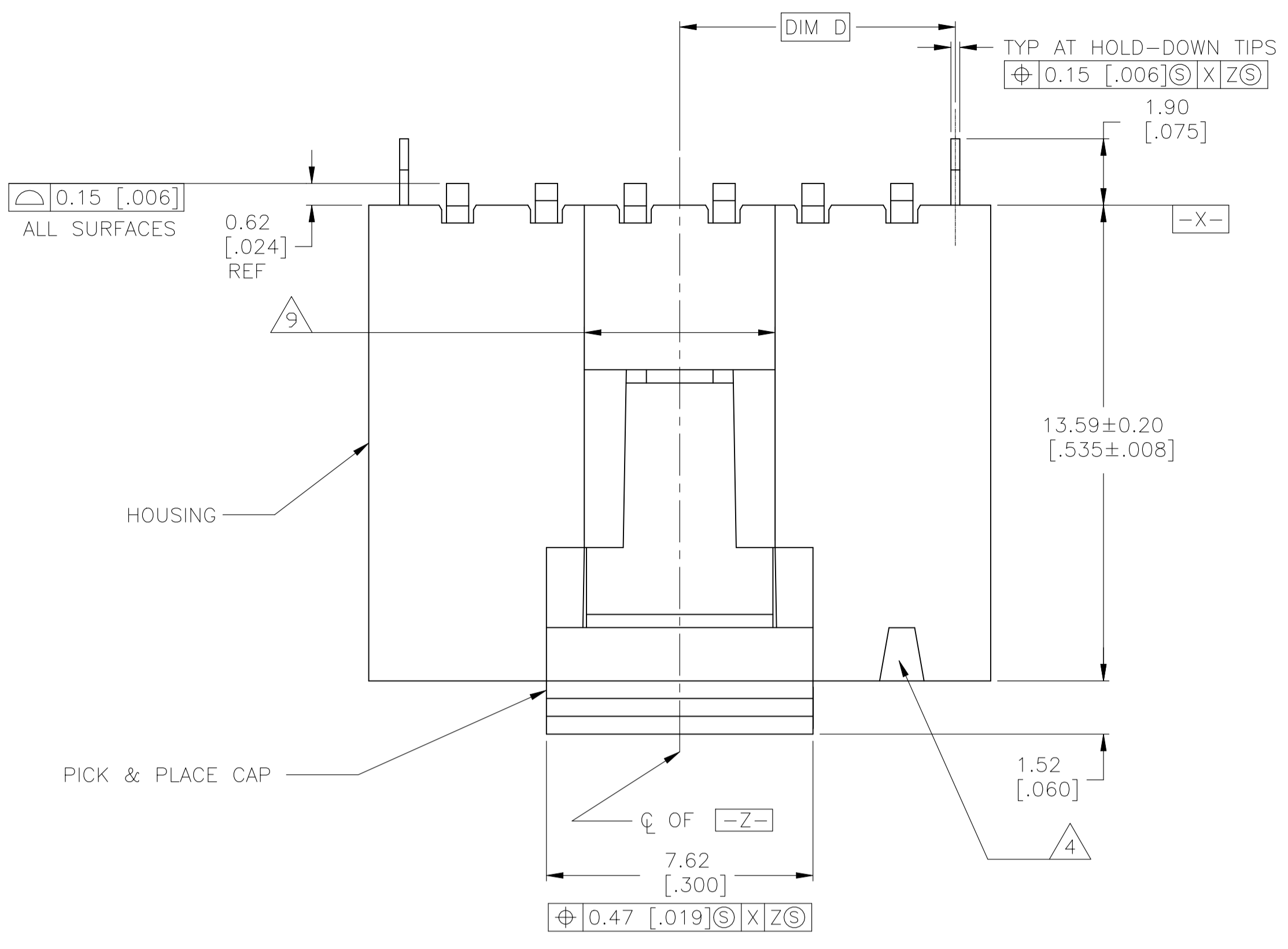
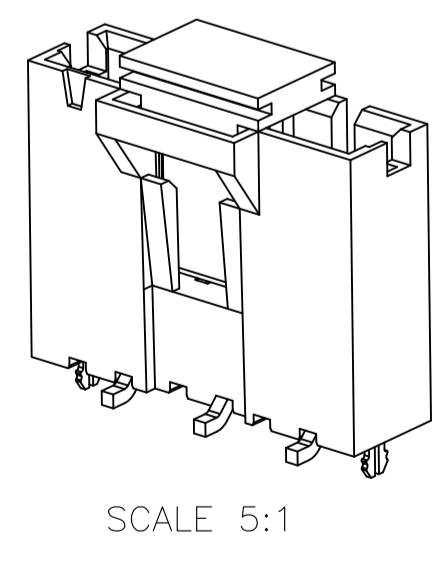
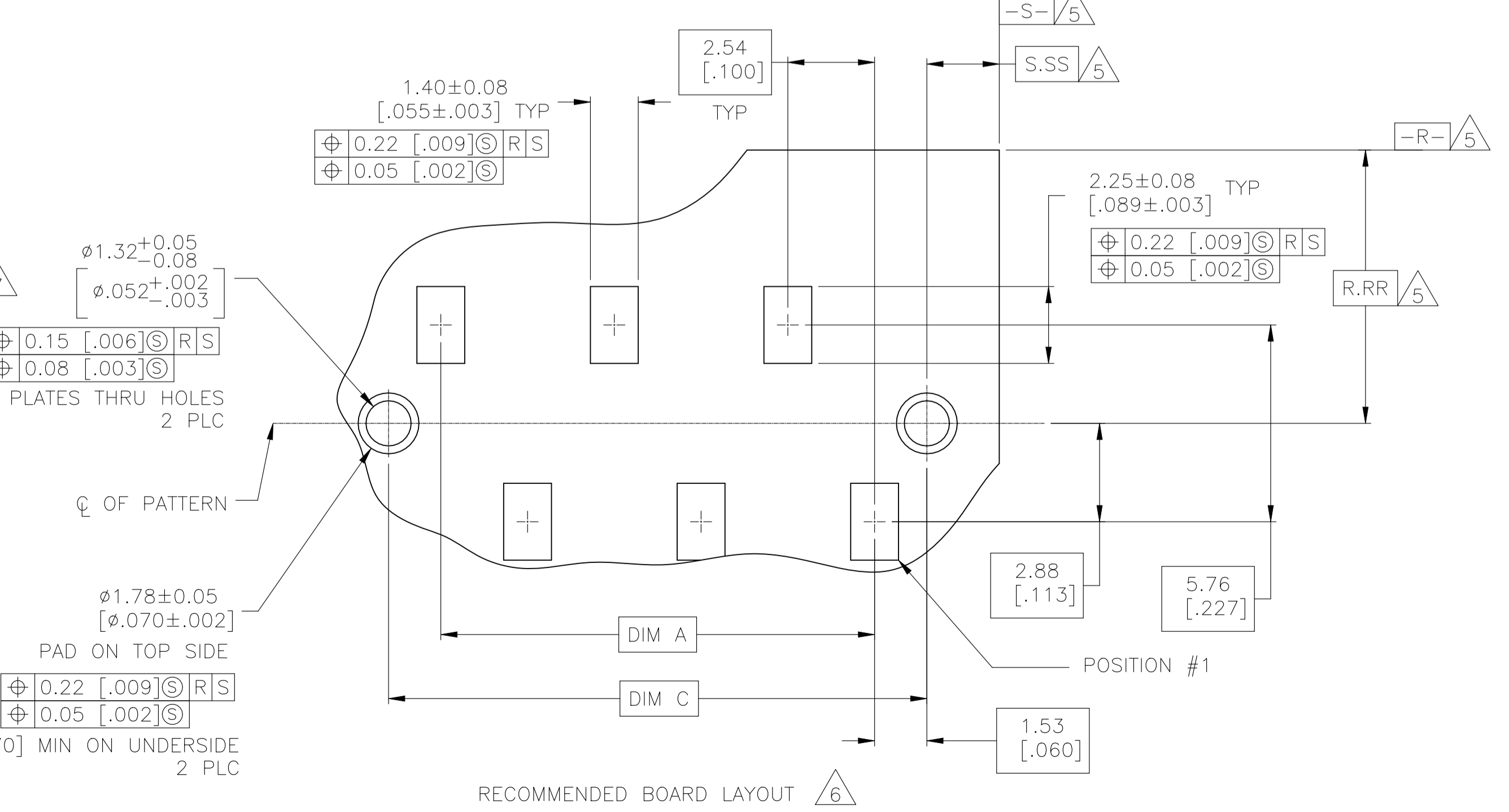
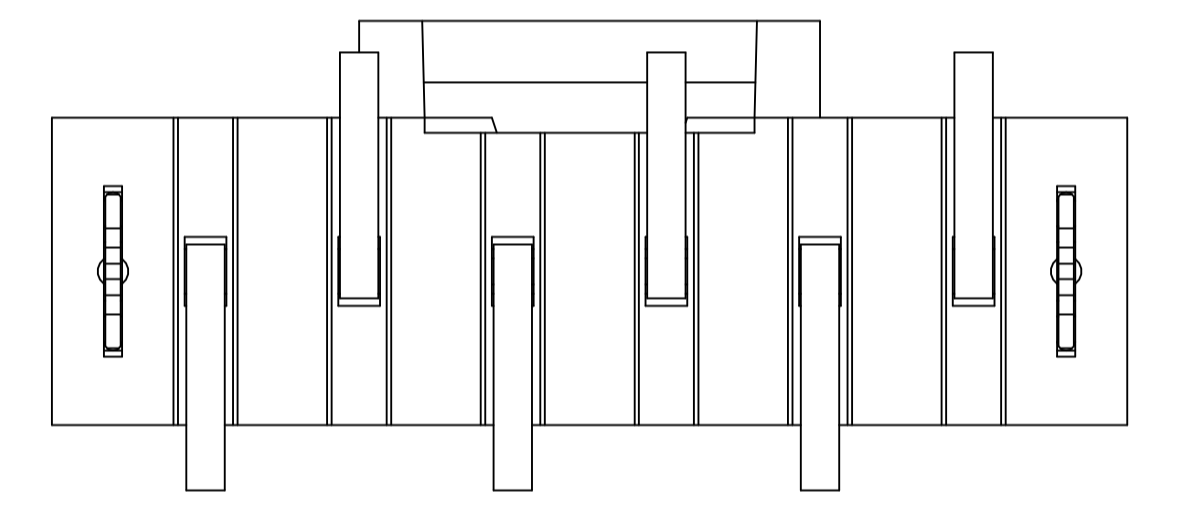
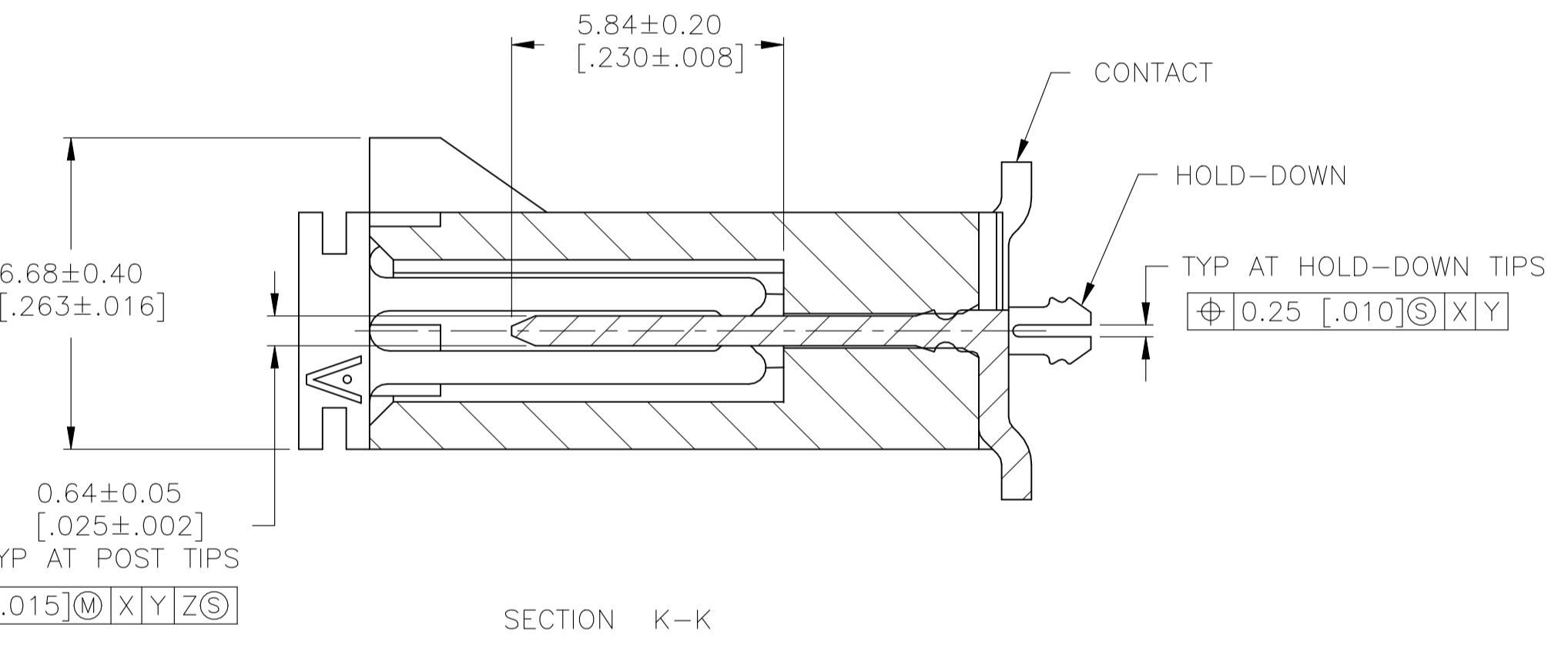
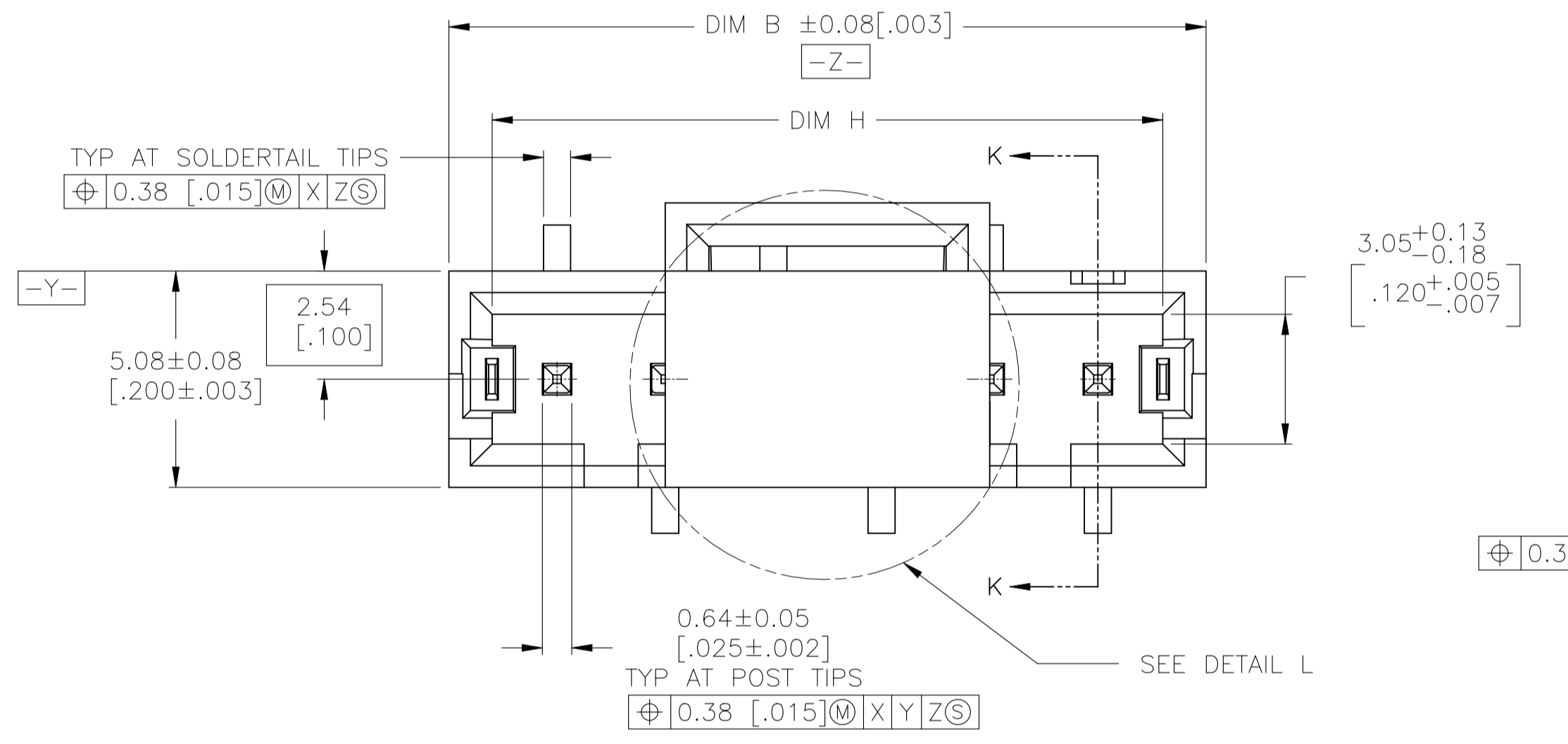


REVISIONS				
REV	DESCRIPTION	DATE	BY	APP'D
G	REVISED PER ECO-20-001327	04JUN2020	SB	JO



- PACKAGE: TAPE AND REEL PER EIA-481 SPECIFICATIONS. SEE TABLE FOR TAPE WIDTHS
- MATERIAL: HOUSING AND PICK & PLACE CAP: HIGH TEMPERATURE LCP, COLOR - BLACK, CONTACTS: BRASS, HOLD-DOWNS: BERYLLIUM COPPER
- FINISH: CONTACTS: 0.000381 [.000015] GOLD IN CONTACT AREA, 0.00254[.0001] MATTE TIN-LEAD ON SOLDER TAIL ALL OVER 0.00127[.00005] NICKEL HOLD-DOWNS: 0.00381[.00015] MATTE TIN-LEAD OVER 0.00127[.00005] NICKEL
- CIRCUIT POSITION #1 IDENTIFICATION MARK
- DATUMS AND BASIC DIMENSIONS ARE ESTABLISHED BY CUSTOMER
- RECOMMENDED PC BOARD THICKNESS OF 1.57[.062]
- USE 1.510 ±0.025[.0595±.0010] DRILLED HOLE (#53 DRILL), FINISH TO BE TIN-LEAD OVER 0.02[.0008] MIN COPPER
- FINISH: CONTACTS: 0.000381 [.000015] GOLD IN CONTACT AREA, 0.00254[.0001] MATTE TIN ON SOLDER TAIL ALL OVER 0.00127[.00005] NICKEL HOLD-DOWNS: 0.00381[.00015] MATTE TIN OVER 0.00127[.00005] NICKEL
- 0.25 [.010] RECESS PERMISSIBLE IN THIS AREA FOR MOLD SHUT OFF




THIS DRAWING IS A CONTROLLED DOCUMENT.		DIN J. MOSER 260CT99	TE Connectivity Ltd.	
DIMENSIONS: mm [INCHES]		GW L. BRESKOSKY 260CT99		
TOLERANCES UNLESS OTHERWISE SPECIFIED:		APVD K. WRIGHT 27JUN00	NAME AMPMODU MTE SURFACE MOUNT. VERTICAL HEADER ASSEMBLY	
0 PLC ± -	1 PLC ± -	PRODUCT SPEC 108-25034-2	APPLICATION SPEC 114-25026	
2 PLC ± 0.13 [.005]	3 PLC ± -	SIZE A1	CAGE CODE 00779	DRAWING NO. 1375582
4 PLC ± -	ANGLES ± -	WEIGHT -	SCALE 8:1	SHEET 1 OF 2
MATERIAL 2	FINISH SEE TABLE	CUSTOMER DRAWING	REV G	

REVISIONS				
REV	DATE	DESCRIPTION	BY	APPD
-	-	SEE SHEET 1	-	-

REV	DATE	DESCRIPTION	BY	APPD	REV	DATE	DESCRIPTION	BY	APPD	REV	DATE	DESCRIPTION	BY	APPD	REV	DATE	DESCRIPTION	BY	APPD	REV	DATE	DESCRIPTION	BY	APPD	REV	DATE	DESCRIPTION	BY	APPD	REV	DATE	DESCRIPTION	BY	APPD	REV	DATE	DESCRIPTION	BY	APPD
△	88	3.465	64.01	2.530	32.01	1.260	64.02	2.520	65.91	2.595	60.96	2.400	25	7-1375582-4																									
△	88	3.465	61.47	2.420	30.74	1.210	61.48	2.420	63.37	2.495	58.42	2.300	24	7-1375582-3																									
△	88	3.465	58.93	2.320	29.47	1.160	58.94	2.320	60.83	2.395	55.88	2.200	23	7-1375582-2																									
△	88	3.465	56.39	2.220	28.20	1.110	56.40	2.220	58.29	2.295	53.34	2.100	22	7-1375582-1																									
△	88	3.465	53.85	2.120	26.93	1.060	53.86	2.120	55.75	2.195	50.80	2.000	21	7-1375582-0																									
△	72	2.835	51.31	2.020	25.66	1.010	51.32	2.020	53.21	2.095	48.26	1.900	20	6-1375582-9																									
△	72	2.835	48.77	1.920	24.39	.960	48.78	1.920	50.67	1.995	45.72	1.800	19	6-1375582-8																									
△	72	2.835	46.23	1.820	23.12	.910	46.24	1.820	48.13	1.895	43.18	1.700	18	6-1375582-7																									
△	72	2.835	43.69	1.720	21.85	.860	43.70	1.720	45.59	1.795	40.64	1.600	17	6-1375582-6																									
△	72	2.835	41.15	1.620	20.58	.810	41.16	1.620	43.05	1.695	38.10	1.500	16	6-1375582-5																									
△	56	2.205	38.61	1.520	19.31	.760	38.62	1.520	40.51	1.595	35.56	1.400	15	6-1375582-4																									
△	56	2.205	36.07	1.420	18.04	.710	36.08	1.420	37.97	1.495	33.02	1.300	14	6-1375582-3																									
△	56	2.205	33.53	1.320	16.77	.660	33.54	1.320	35.43	1.395	30.48	1.200	13	6-1375582-2																									
△	56	2.205	30.99	1.220	15.50	.610	31.00	1.220	32.89	1.295	27.94	1.100	12	6-1375582-1																									
△	56	2.205	28.45	1.120	14.23	.560	28.46	1.120	30.35	1.195	25.40	1.000	11	6-1375582-0																									
△	56	2.205	25.91	1.020	12.96	.510	25.92	1.020	27.81	1.095	22.86	.900	10	5-1375582-9																									
△	44	1.732	23.37	.920	11.69	.460	23.38	.920	25.27	.995	20.32	.800	9	5-1375582-8																									
△	44	1.732	20.83	.820	10.42	.410	20.84	.820	22.73	.895	17.78	.700	8	5-1375582-7																									
△	44	1.732	18.29	.720	9.15	.360	18.30	.720	20.19	.795	15.24	.600	7	5-1375582-6																									
△	32	1.260	15.75	.620	7.88	.310	15.76	.620	17.65	.695	12.70	.500	6	5-1375582-5																									
△	32	1.260	13.21	.520	6.61	.260	13.22	.520	15.11	.595	10.16	.400	5	5-1375582-4																									
△	32	1.260	10.67	.420	5.34	.210	10.68	.420	12.57	.495	7.62	.300	4	5-1375582-3																									
△	32	1.260	8.13	.320	4.07	.160	8.14	.320	10.03	.395	5.08	.200	3	5-1375582-2																									
△	24	.945	5.59	.220	2.80	.110	5.60	.220	7.49	.295	2.54	.100	2	5-1375582-1																									
△	88	3.465	64.01	2.530	32.01	1.260	64.02	2.520	65.91	2.595	60.96	2.400	25	2-1375582-4																									
△	88	3.465	61.47	2.420	30.74	1.210	61.48	2.420	63.37	2.495	58.42	2.300	24	2-1375582-3																									
△	88	3.465	58.93	2.320	29.47	1.160	58.94	2.320	60.83	2.395	55.88	2.200	23	2-1375582-2																									
△	88	3.465	56.39	2.220	28.20	1.110	56.40	2.220	58.29	2.295	53.34	2.100	22	2-1375582-1																									
△	88	3.465	53.85	2.120	26.93	1.060	53.86	2.120	55.75	2.195	50.80	2.000	21	2-1375582-0																									
△	72	2.835	51.31	2.020	25.66	1.010	51.32	2.020	53.21	2.095	48.26	1.900	20	1-1375582-9																									
△	72	2.835	48.77	1.920	24.39	.960	48.78	1.920	50.67	1.995	45.72	1.800	19	1-1375582-8																									
△	72	2.835	46.23	1.820	23.12	.910	46.24	1.820	48.13	1.895	43.18	1.700	18	1-1375582-7																									
△	72	2.835	43.69	1.720	21.85	.860	43.70	1.720	45.59	1.795	40.64	1.600	17	1-1375582-6																									
△	72	2.835	41.15	1.620	20.58	.810	41.16	1.620	43.05	1.695	38.10	1.500	16	1-1375582-5																									
△	56	2.205	38.61	1.520	19.31	.760	38.62	1.520	40.51	1.595	35.56	1.400	15	1-1375582-4																									
△	56	2.205	36.07	1.420	18.04	.710	36.08	1.420	37.97	1.495	33.02	1.300	14	1-1375582-3																									
△	56	2.205	33.53	1.320	16.77	.660	33.54	1.320	35.43	1.395	30.48	1.200	13	1-1375582-2																									
△	56	2.205	30.99	1.220	15.50	.610	31.00	1.220	32.89	1.295	27.94	1.100	12	1-1375582-1																									
△	56	2.205	28.45	1.120	14.23	.560	28.46	1.120	30.35	1.195	25.40	1.000	11	1-1375582-0																									
△	56	2.205	25.91	1.020	12.96	.510	25.92	1.020	27.81	1.095	22.86	.900	10	1375582-9																									
△	44	1.732	23.37	.920	11.69	.460	23.38	.920	25.27	.995	20.32	.800	9	1375582-8																									
△	44	1.732	20.83	.820	10.42	.410	20.84	.820	22.73	.895	17.78	.700	8	1375582-7																									
△	44	1.732	18.29	.720	9.15	.360	18.30	.720	20.19	.795	15.24	.600	7	1375582-6																									
△	32	1.260	15.75	.620	7.88	.310	15.76	.620	17.65	.695	12.70	.500	6	1375582-5																									
△	32	1.260	13.21	.520	6.61	.260	13.22	.520	15.11	.595	10.16	.400	5	1375582-4																									
△	32	1.260	10.67	.420	5.34	.210	10.68	.420	12.57	.495	7.62	.300	4	1375582-3																									
△	32	1.260	8.13	.320	4.07	.160	8.14	.320	10.03	.395	5.08	.200	3	1375582-2																									
△	24	.945	5.59	.220	2.80	.110	5.60	.220	7.49	.295	2.54	.100	2	1375582-1																									

PLATING	TAPE WIDTH	H	D	C	B	A	NO OF POSN	PART NUMBER

THIS DRAWING IS A CONTROLLED DOCUMENT.		DIN J. MOSER 26OCT99	 TE Connectivity Ltd.
TOLERANCES UNLESS OTHERWISE SPECIFIED:		CHK: L. BRESKOSKY 26OCT99	
DIMENSIONS: mm [INCHES]	0. PLC ± -	APVD K. WRIGHT 27JUN00	NAME
	1. PLC ± -	PRODUCT SPEC	AMPMODU MTE SURFACE MOUNT.
	2. PLC ± 0.13 [005]	APPLICATION SPEC	VERTICAL HEADER ASSEMBLY
	3. PLC ± -	108-25034-2	
	4. PLC ± -	114-25026	
	ANGLES ± -	SIZE	CAGE CODE
MATERIAL	FINISH	WEIGHT	DRAWING NO
	SEE TABLE	A1	00779
		C=1375582	RESTRICTED TO
		CUSTOMER DRAWING	SCALE 8:1 SHEET 2 OF 2 REV G