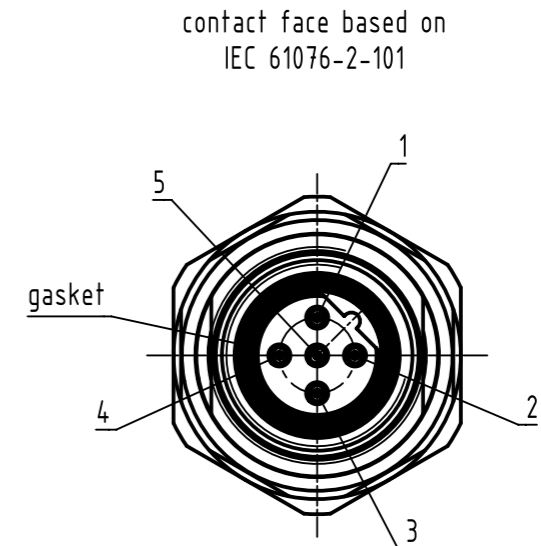
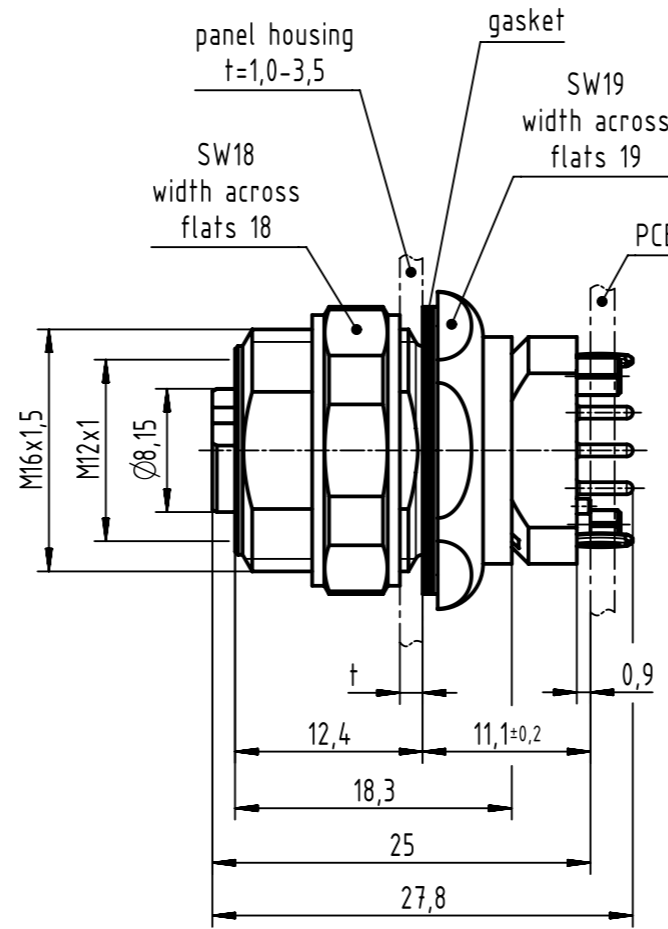
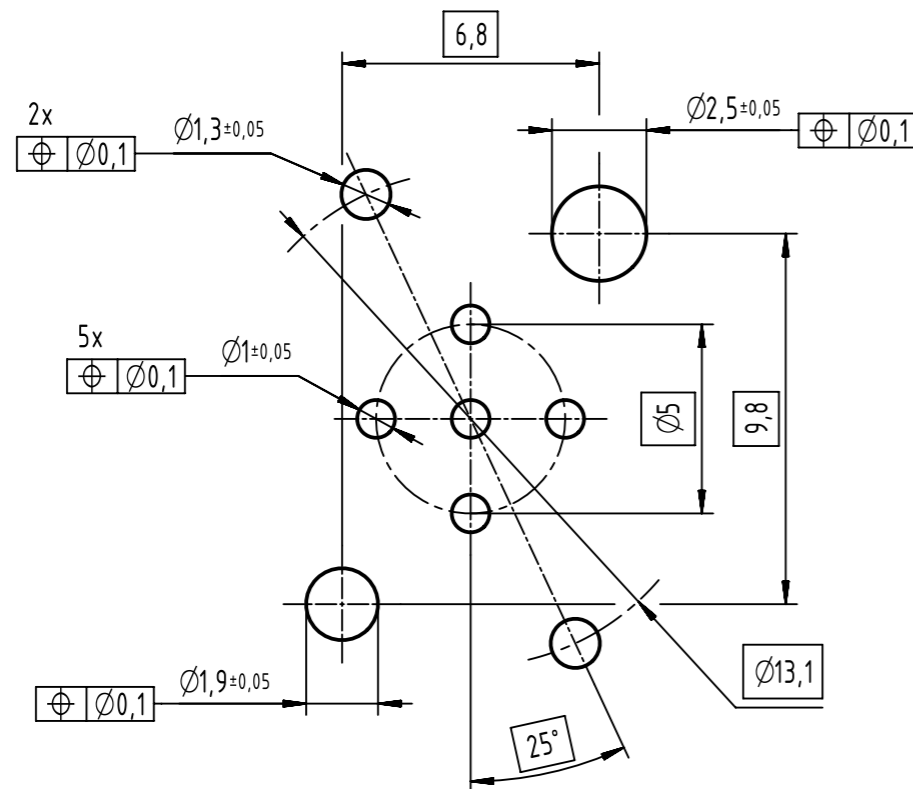


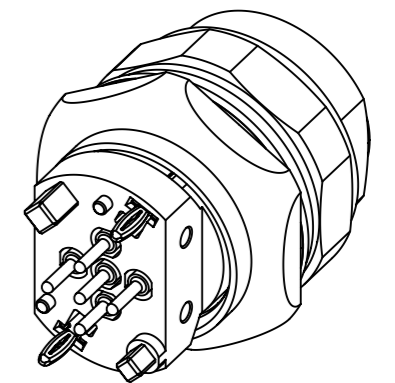
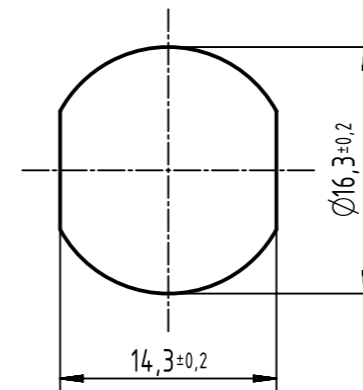
X



X (5:1)  
recommended PCB-layout



panel cut out



- 1 pcs. single package

	All rights reserved Department EC PD - DE HARTING Electronics GmbH D-32339 Espelkamp	All Dimensions in mm Original Size DIN A3	Scale 2:1	Free size tol.	Ref. Sub.
		Created by STORCK	Inspected by WELLMANN	Standardisation KOHLER	Date 2015-08-04
Title <b>HARTING M12 PCB receptacle female B-coded 5-pole back</b>					Doc-Key / ECM-Nr. 100568169/UGD/000/C 50000092599
Type TB		Number 21033412530			Rev. C
					Page 1/1