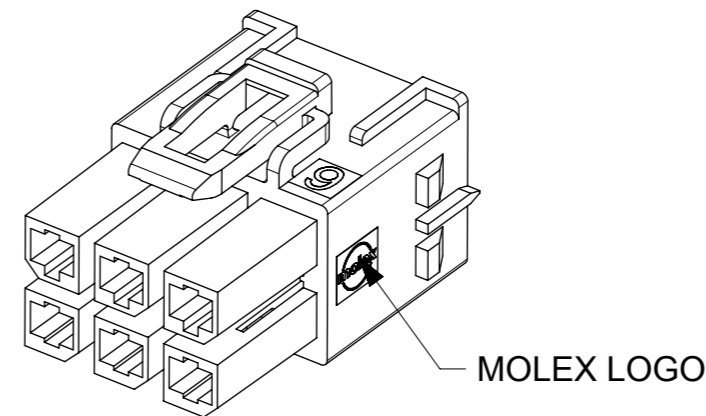
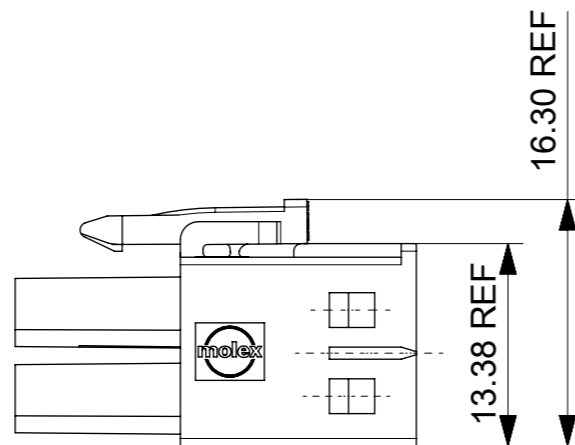
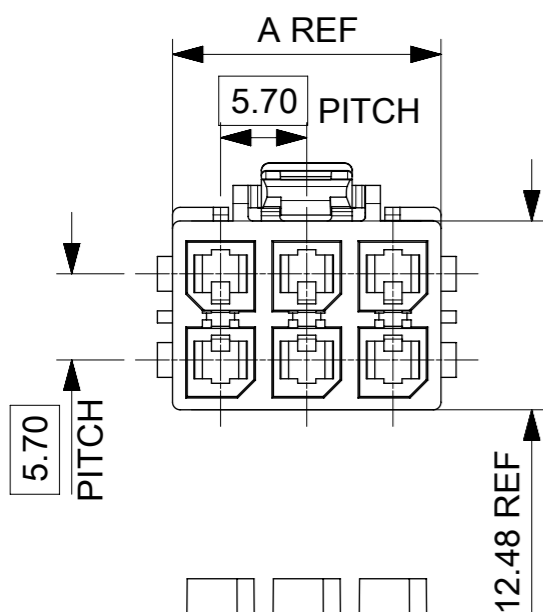
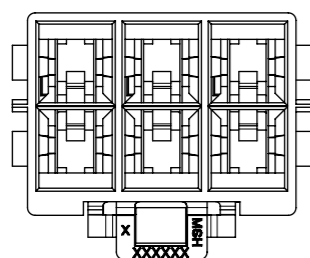
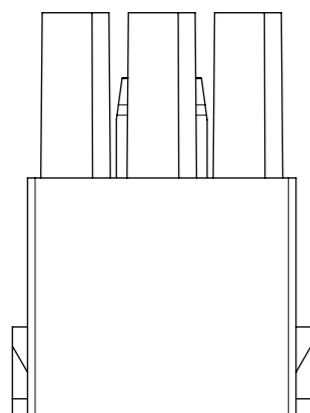


CIRCUIT	PART NO.	DIM A	COLOR
2	171692-0202	8.35	BLACK
4	171692-0204	12.05	
6	171692-0206	17.75	
8	171692-0208	23.45	
10	171692-0210	29.15	
12	171692-0212	34.85	

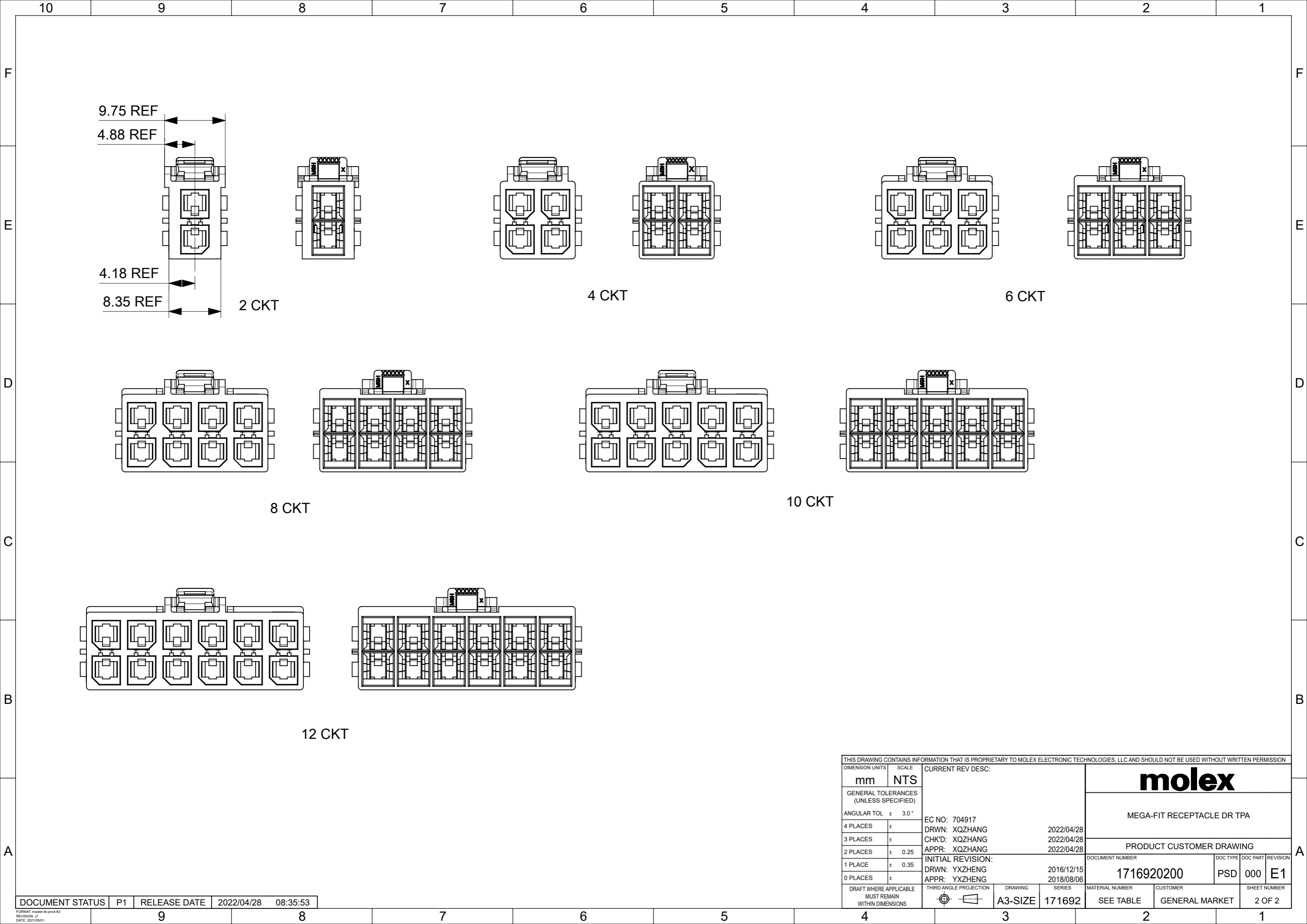


NOTES:

- MATERIAL:**
 NYLON, UL 94V-0 AND GLOW WIRE CAPABLE PER IEC60335-1.
 COLOR: BLACK.
- PART USED WITH MOLEX SERIES:**
 HEADER: 76829, 172065; 76825, 172064
 PLUG: 105411
 TPA-CAPABLE FEMALE TERMINAL: 76823, 172063
 TPA: 105415
- PRODUCT SPECIFICATION:** 1054171000-PS/1720631000-PS.
- PAKAGING SPECIFICATION:** 1716920200.
- APPLICATION SPECIFICATION:** 768232000-AS



THIS DRAWING CONTAINS INFORMATION THAT IS PROPRIETARY TO MOLEX ELECTRONIC TECHNOLOGIES, LLC AND SHOULD NOT BE USED WITHOUT WRITTEN PERMISSION									
DIMENSION UNITS mm		SCALE NTS		CURRENT REV DESC:				molex	
GENERAL TOLERANCES (UNLESS SPECIFIED)				EC NO: 704917					
ANGULAR TOL ± 3.0°				DRWN: XQZHANG 2022/04/28				MEGA-FIT RECEPTACLE DR TPA	
4 PLACES ±				CHK'D: XQZHANG 2022/04/28				PRODUCT CUSTOMER DRAWING	
3 PLACES ±				APPR: XQZHANG 2022/04/28				DOCUMENT NUMBER	
2 PLACES ± 0.25				INITIAL REVISION:				1716920200	
1 PLACE ± 0.35				DRWN: YXZHENG 2016/12/15				DOC TYPE	
0 PLACES ±				APPR: YXZHENG 2018/08/06				PSD	
DRAFT WHERE APPLICABLE MUST REMAIN WITHIN DIMENSIONS				THIRD ANGLE PROJECTION		DRAWING		DOC PART	
				A3-SIZE		SERIES		REVISION	
				171692		MATERIAL NUMBER		E1	
				SEE TABLE		CUSTOMER		SHEET NUMBER	
				GENERAL MARKET		1 OF 2			



9.75 REF
4.88 REF
4.18 REF
8.35 REF

2 CKT

4 CKT

6 CKT

8 CKT

10 CKT

12 CKT

THIS DRAWING CONTAINS INFORMATION THAT IS PROPRIETARY TO MOLEX ELECTRONIC TECHNOLOGIES, LLC AND SHOULD NOT BE USED WITHOUT WRITTEN PERMISSION										
DIMENSION UNITS	SCALE	CURRENT REV DESC:								
mm	NTS									
GENERAL TOLERANCES (UNLESS SPECIFIED)		EC NO: 704917			MEGA-FIT RECEPTACLE DR TPA					
ANGULAR TOL ± 3.0 °		DRWN: XQZHANG 2022/04/28								
4 PLACES ±		CHK'D: XQZHANG 2022/04/28			PRODUCT CUSTOMER DRAWING					
3 PLACES ±		APPR: XQZHANG 2022/04/28								
2 PLACES ± 0.25		INITIAL REVISION:			DOCUMENT NUMBER	DOC TYPE	DOC PART	REVISION		
1 PLACE ± 0.35		DRWN: YXZHENG 2016/12/15			1716920200	PSD	000	E1		
0 PLACES ±		APPR: YXZHENG 2018/08/06			MATERIAL NUMBER		CUSTOMER		SHEET NUMBER	
DRAFT WHERE APPLICABLE MUST REMAIN WITHIN DIMENSIONS	THIRD ANGLE PROJECTION	DRAWING	SERIES	MATERIAL NUMBER	CUSTOMER					
		A3-SIZE	171692	SEE TABLE	GENERAL MARKET				2 OF 2	

DOCUMENT STATUS	P1	RELEASE DATE	2022/04/28	08:35:53
-----------------	----	--------------	------------	----------