

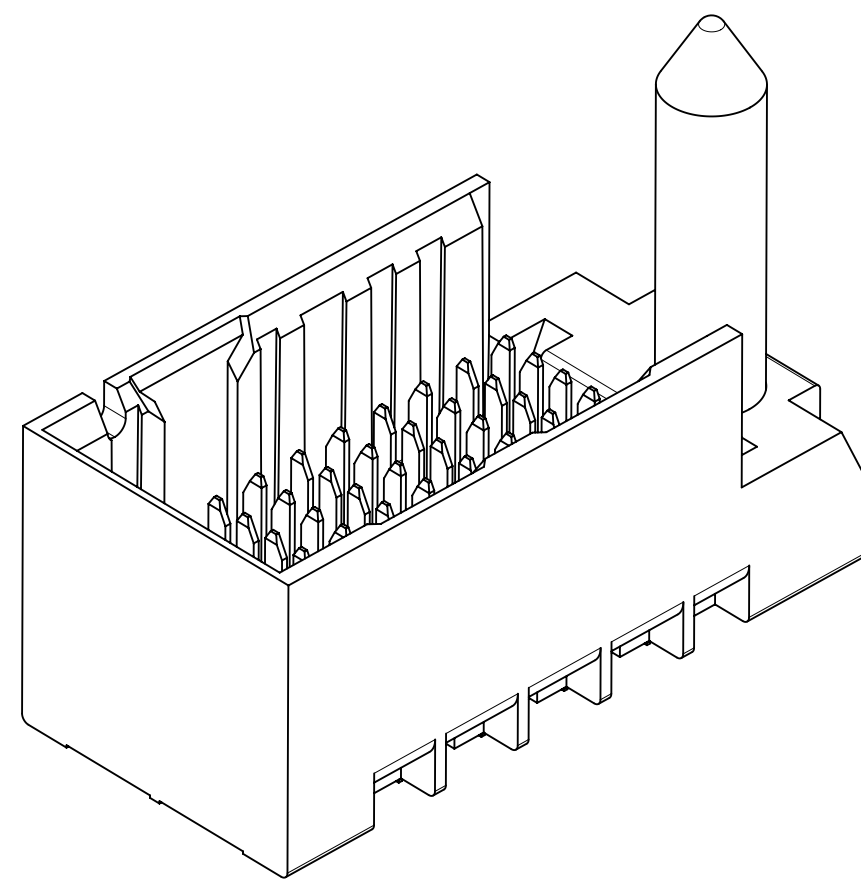
**NOTES:**

1. MATERIALS: HOUSING - LIQUID CRYSTAL POLYMER (LCP)  
GLASS-FILLED, UL94V-0  
TERMINALS - HIGH PERFORMANCE COPPER ALLOY
2. FINISH: 30µINCH MIN GOLD IN CONTACT AREA.  
SELECTIVE MATTE TIN ON PCB TAILS, NICKEL OVERALL.
3. REFER TO MOLEX PRODUCT SPECIFICATION PS-76060-999.  
FOR PERFORMANCE SPECIFICATIONS AND ADDITIONAL PCB INFORMATION.
4. THIS PART CONFORMS TO CLASS B REQUIREMENTS OF  
MOLEX COSMETIC SPEC PS-45499-002.
5. PARTS PACKAGED PER PK-70873-761
6. SEE SHEETS 2 & 3 FOR PART NUMBERS AND BOARD RELATIONSHIPS.
7. MATES WITH IMPACT DC SERIES NO. 171070.
8. KEEP OUT ZONE FOR BP HOUSING LENGTH INCLUDES AN ADDITIONAL 1.0MM  
TO ACCOMMODATE FOR SPACE REQUIRED BY DC FRONT HOUSING.
9. REFER TO MOLEX PCB ROUTING GUIDE AS-76060-990 FOR ANTIPAD AND  
ROUTING RECOMMENDATIONS.
10. CONNECTORS SUPPLIED WITH A 2-56 UNC-2A SCREW.
11. "THESE DIMENSIONS REPRESENT THE AREA NEEDED TO ACCOMMODATE CONNECTOR  
INSERTION AND REPAIR ON THE PC BOARD. THIS IS REFERRED TO AS THE  
"CONNECTOR KEEP OUT ZONE" AND DOES NOT REPRESENT THE ACTUAL PERIMETER  
OF THE CONNECTOR. WHEN LAYING OUT A PC BOARD FOR CONNECTORS STACKED  
TOGETHER, USE A 1.9mm PROGRESSION."
12. MINIMUM CIRCUIT BOARD THICKNESS: 1.00

QUALITY SYMBOLS	THIS DRAWING CONTAINS INFORMATION THAT IS PROPRIETARY TO MOLEX ELECTRONIC TECHNOLOGIES, LLC AND SHOULD NOT BE USED WITHOUT WRITTEN PERMISSION		GENERAL TOLERANCES (UNLESS SPECIFIED)		DIMENSION UNITS		SCALE		
			ANGULAR TOL ± 0.5 °		MM		4:1		
▽ = 0	REMASTERED IN INX EC NO: 168852 DRWN: VNANDAM CHKD: CD REV / APPR: GGA	4 PLACES ±		DRWN BY	DATE				
▽ = 0		3 PLACES ±		JBINGHAM	2012/02/08				
▽ = 0		2 PLACES ± 0.13		CHKD BY	DATE		IMPACT 2-PAIR 85-OHM RIGHT GUIDED BACKPLANE SALES ASSEMBLY DRAWING		
▽ = 0		1 PLACE ± 0.25		JLAURX	2012/02/08				
▽ = 0		0 PLACES ±		APPR BY	DATE		PRODUCT CUSTOMER DRAWING		
▽ = 0	DRAFT WHERE APPLICABLE MUST REMAIN WITHIN DIMENSIONS		JLAURX	2013/02/07		SERIES MATERIAL NUMBER CUSTOMER			
▽ = 0	C1	DRAWING SIZE THIRD ANGLE PROJECTION		C		171065 SEE CHART GENERAL MARKET			
RELEASE STATUS P1		RELEASE DATE 01.12.2017 12:29:19		DOCUMENT NUMBER SD-171065-0003		DOC TYPE PSD		DOC PART SHEET NUMBER 001 1 OF 3	

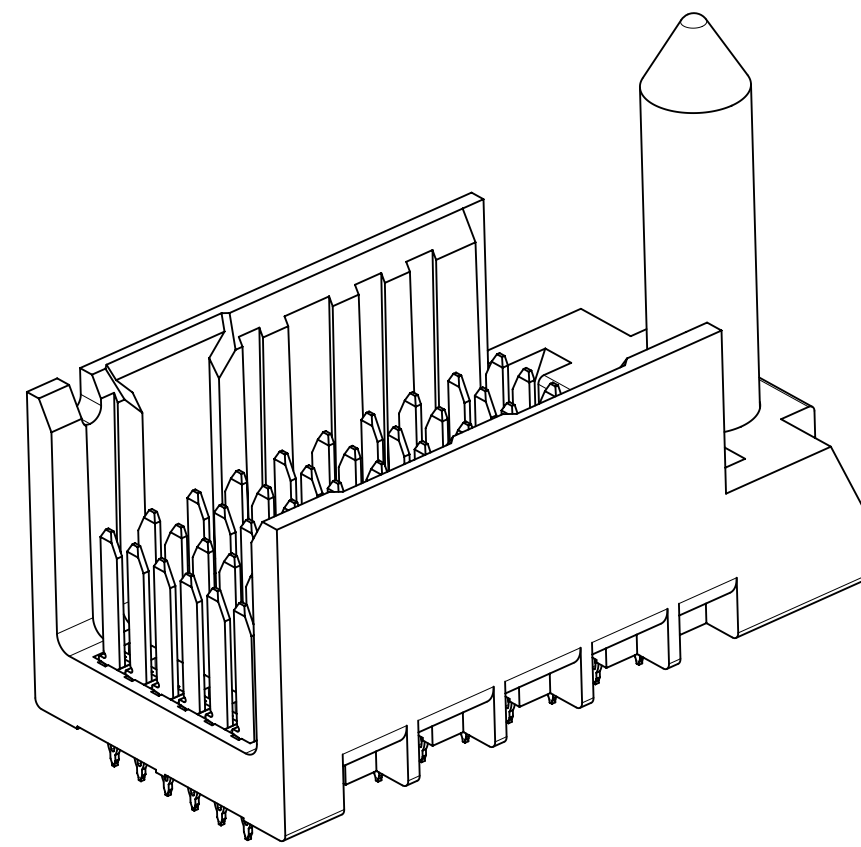
# PART NUMBER CHART

MATERIAL NUMBER	# OF COLUMNS	# OF DIFF PAIR	DIM "A"	DIM "B"	GUIDE RIGHT END WALL OPTION
171065-910*	10	20	26.9	17.10	
171065-960*	16	32	38.3	28.50	



GUIDE RIGHT  
END WALL  
OPTION

MATERIAL NUMBER	# OF COLUMNS	# OF DIFF PAIR	DIM "A"	DIM "B"	GUIDE RIGHT OPEN WALL OPTION
171065-510*	10	20	25.5	17.10	
171065-560*	16	32	36.9	28.50	



GUIDE RIGHT  
OPEN END  
OPTION

# PART NUMBER LOGIC

171065 - \* \* 0 \*

MODULE TYPE

- 5 = GUIDE RIGHT, MATTE TIN
- 9 = GUIDE RIGHT END WALL, MATTE TIN

# OF COLUMNS

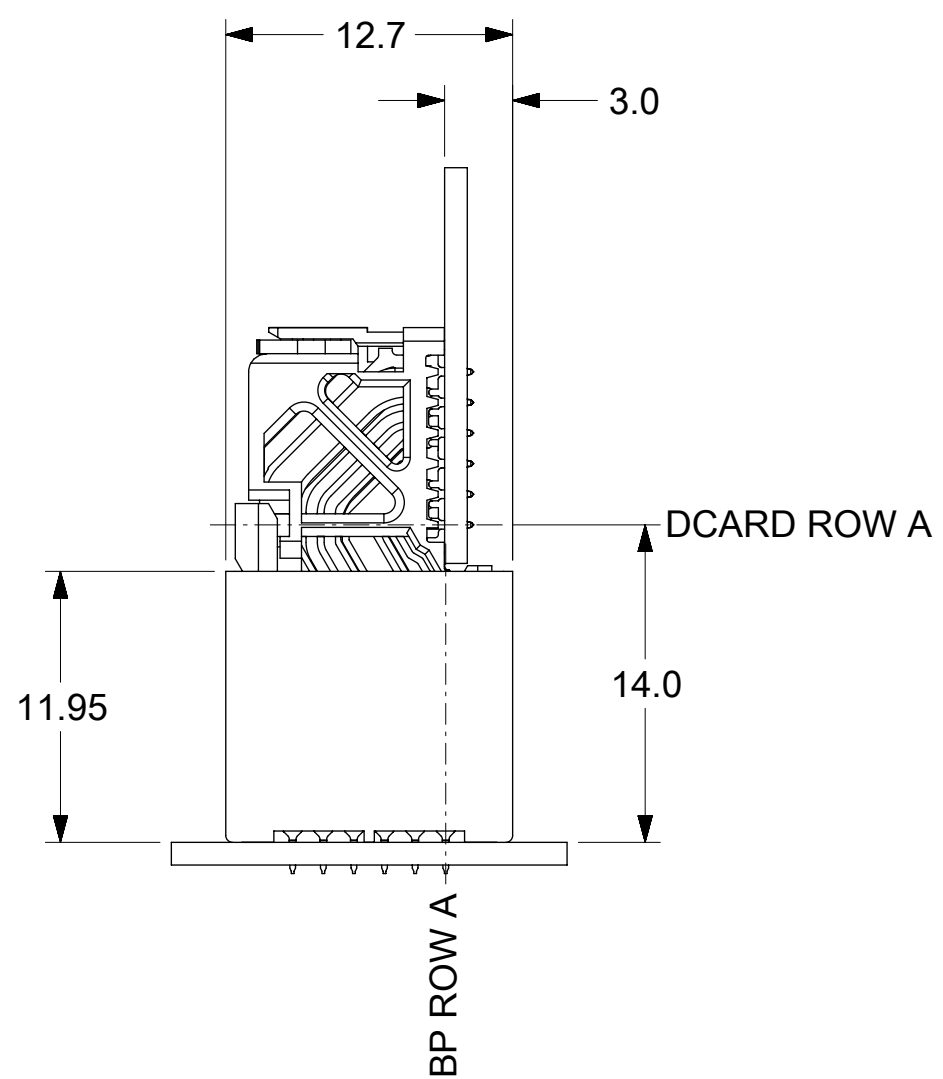
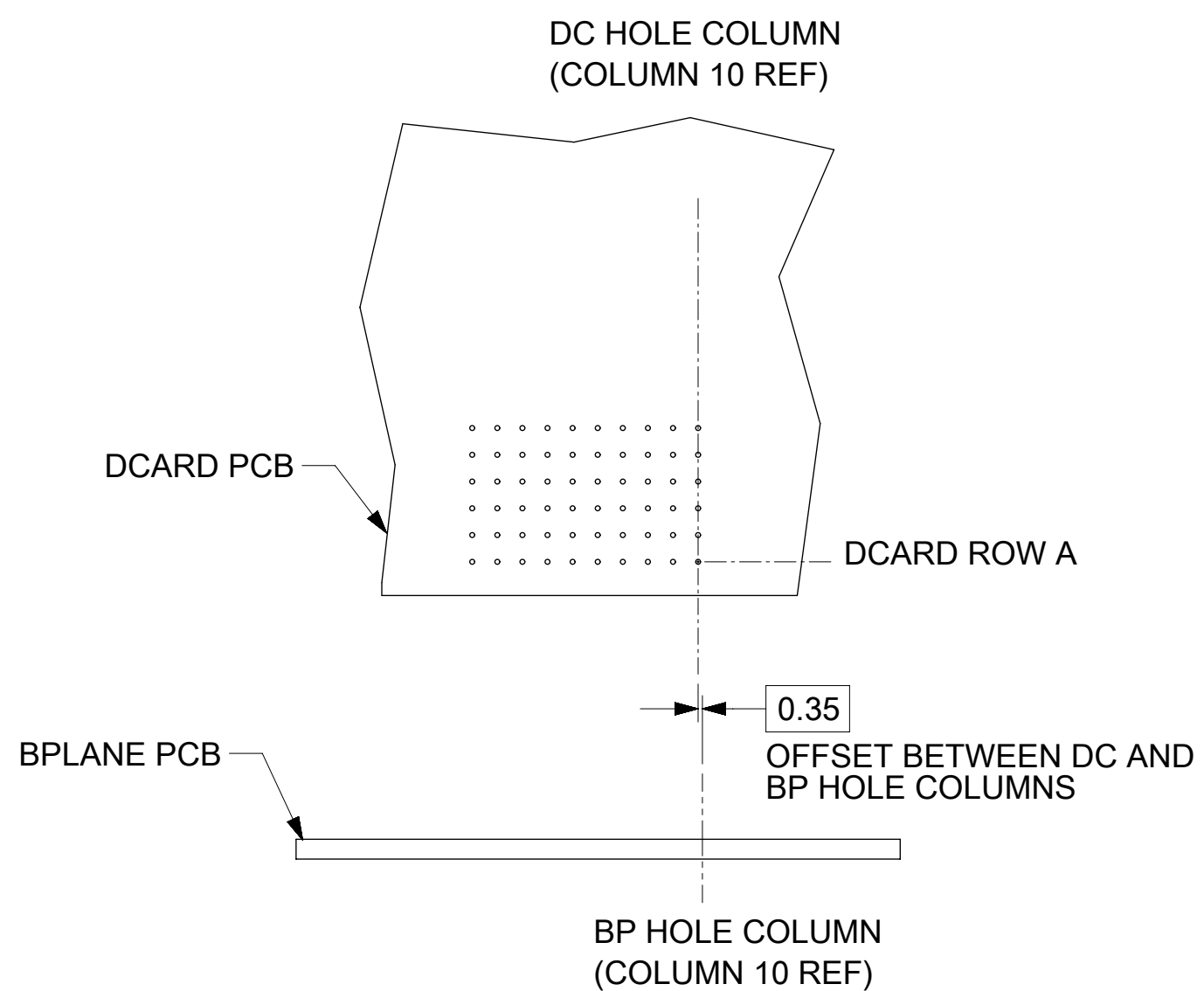
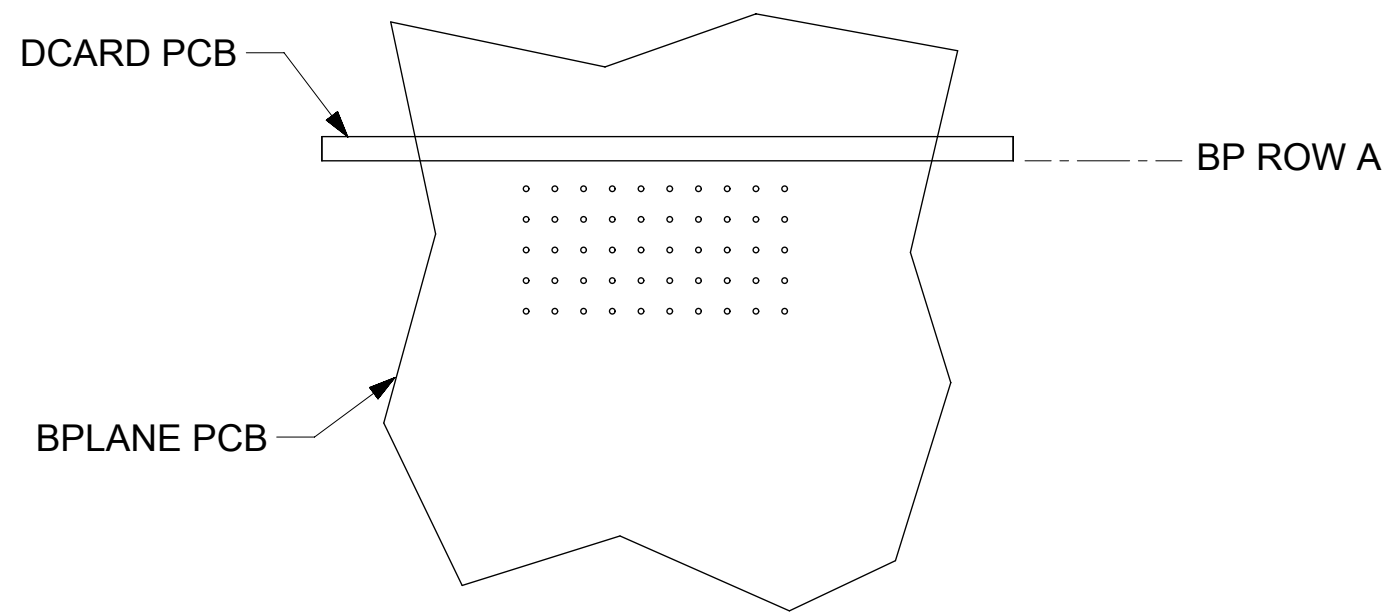
- 1 = 10 COL
- 6 = 16 COL

PIN LENGTH (P)

- 3 = 4.50 (SHORT COMPLIANT, 0.46±0.05 PTH)
- 4 = 4.90 (SHORT COMPLIANT, 0.46±0.05 PTH)
- 5 = 5.50 (SHORT COMPLIANT, 0.46±0.05 PTH)
- 6 = 4.50 (MICRO COMPLIANT, 0.39±0.05 PTH)
- 7 = 4.90 (MICRO COMPLIANT, 0.39±0.05 PTH)
- 8 = 5.50 (MICRO COMPLIANT, 0.39±0.05 PTH)

QUALITY SYMBOLS	THIS DRAWING CONTAINS INFORMATION THAT IS PROPRIETARY TO MOLEX ELECTRONIC TECHNOLOGIES, LLC AND SHOULD NOT BE USED WITHOUT WRITTEN PERMISSION										
	▽ = 0	▽ = 0	▽ = 0	▽ = 0	▽ = 0	▽ = 0	▽ = 0	▽ = 0	▽ = 0	▽ = 0	
REMASTERED IN INX	2017/11/09	2017/11/30	2017/12/01	GENERAL TOLERANCES (UNLESS SPECIFIED)			DIMENSION UNITS	SCALE			
EC NO: 168852	DRWN: VNANDAM	CHKD: CD	APP: GGA	ANGULAR TOL ± 0.5 °			MM	4:1			
JLAURX				4 PLACES ±			DRWN BY	DATE	IMPACT 2-PAIR 85-OHM RIGHT GUIDED BACKPLANE SALES ASSEMBLY DRAWING		
JLAURX				3 PLACES ±			JBINGHAM	2012/02/08			
JLAURX				2 PLACES ± 0.13			CHKD BY	DATE	PRODUCT CUSTOMER DRAWING		
JLAURX				1 PLACE ± 0.25			JLAURX	2012/02/08			
JLAURX				0 PLACES ±			APPR BY	DATE	SERIES MATERIAL NUMBER CUSTOMER 171065 SEE CHART GENERAL MARKET		
JLAURX				DRAFT WHERE APPLICABLE MUST REMAIN WITHIN DIMENSIONS			JLAURX	2013/02/07			
C1				DRAFTER: GGA			DRAWING SIZE	THIRD ANGLE PROJECTION	DOCUMENT NUMBER DOC TYPE DOC PART SHEET NUMBER SD-171065-0003 PSD 001 2 OF 3		
C1				REVISION: G			C				

# IMPACT 2 PAIR BOARD RELATIONSHIPS



QUALITY SYMBOLS		THIS DRAWING CONTAINS INFORMATION THAT IS PROPRIETARY TO MOLEX ELECTRONIC TECHNOLOGIES, LLC AND SHOULD NOT BE USED WITHOUT WRITTEN PERMISSION											
▽ = 0	▽ = 0	REMASTERED IN INX EC NO: 168852 DRWN: VNANDAM CHKD: CD REV / APPR: GGA	GENERAL TOLERANCES (UNLESS SPECIFIED)			DIMENSION UNITS	SCALE	<b>molex</b> IMPACT 2-PAIR 85-OHM RIGHT GUIDED BACKPLANE SALES ASSEMBLY DRAWING					
▽ = 0	▽ = 0		ANGULAR TOL ± 0.5 °			MM	2:1						
▽ = 0	▽ = 0		4 PLACES ±			DRWN BY	DATE	PRODUCT CUSTOMER DRAWING					
▽ = 0	▽ = 0		3 PLACES ±			JBINGHAM	2012/02/08	SERIES	MATERIAL NUMBER	CUSTOMER			
▽ = 0	▽ = 0		2 PLACES ± 0.13			CHKD BY	DATE	171065	SEE CHART	GENERAL MARKET			
▽ = 0	▽ = 0		1 PLACE ± 0.25			JLAURX	2012/02/08	DRAFT WHERE APPLICABLE MUST REMAIN WITHIN DIMENSIONS					
▽ = 0	▽ = 0	0 PLACES ±			JLAURX	2013/02/07	DRAWING SIZE		THIRD ANGLE PROJECTION				
□ = 0	■ = 0	C1	C			C		SD-171065-0003			PSD	DOC PART	SHEET NUMBER
▽ = 0								001			3 OF 3		