

NOTES:

1. MATERIALS AND FINISHES:

- HEX NUT - BRASS, GOLD PLATING
- LOCK WASHER - BRASS, GOLD PLATING
- BODY - BRASS, GOLD PLATING
- CONTACT PIN - BRASS, GOLD PLATING
- INSULATOR - PTFE, NATURAL

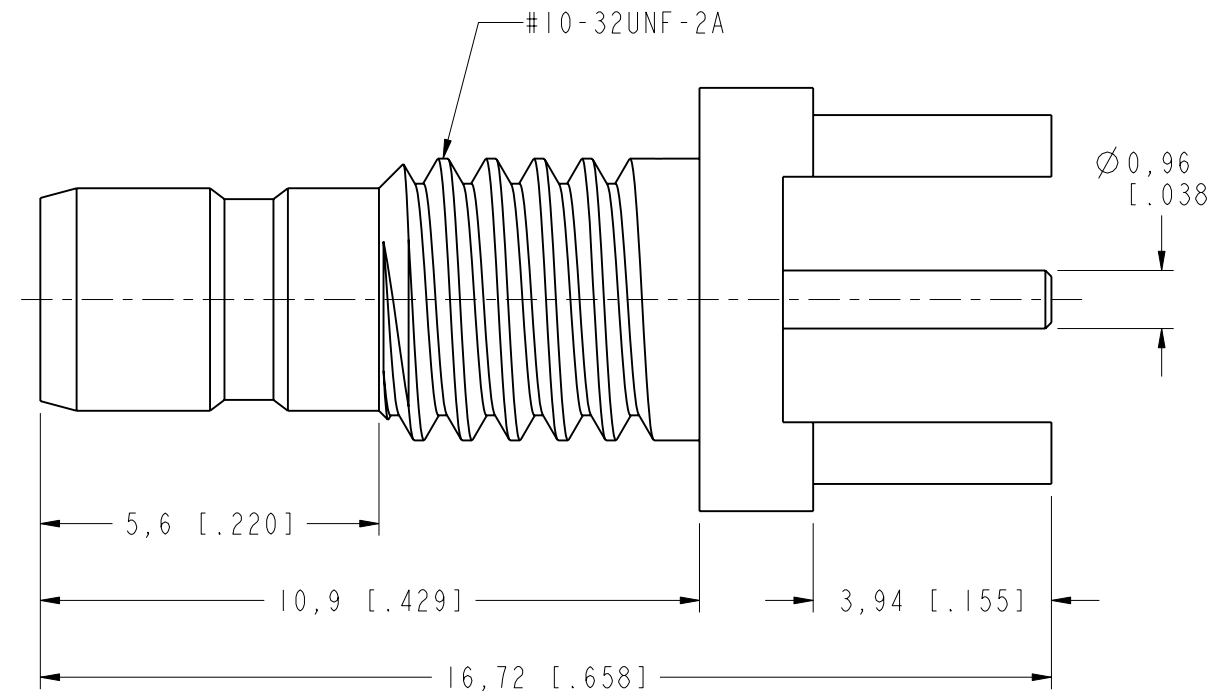
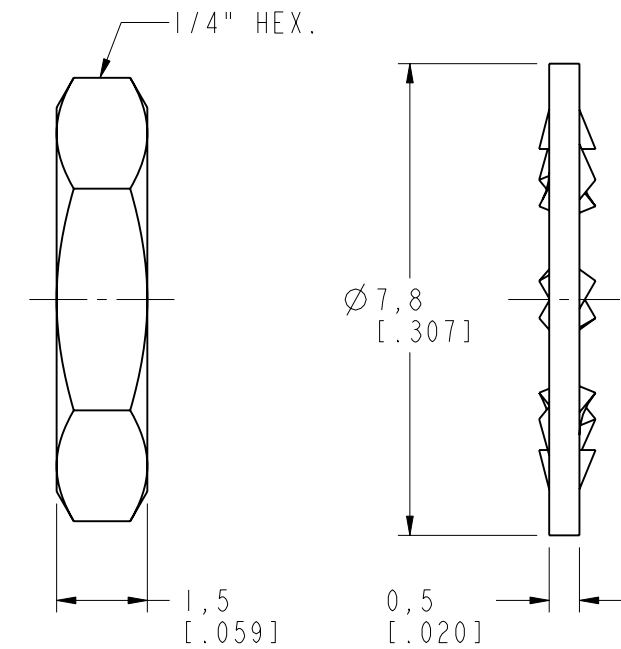
2. ELECTRICAL:

- A. IMPEDANCE: 75 OHM
- B. FREQUENCY RANGE: DC - 2 GHz
- C. D.W.V: 750 VRMS, MIN.

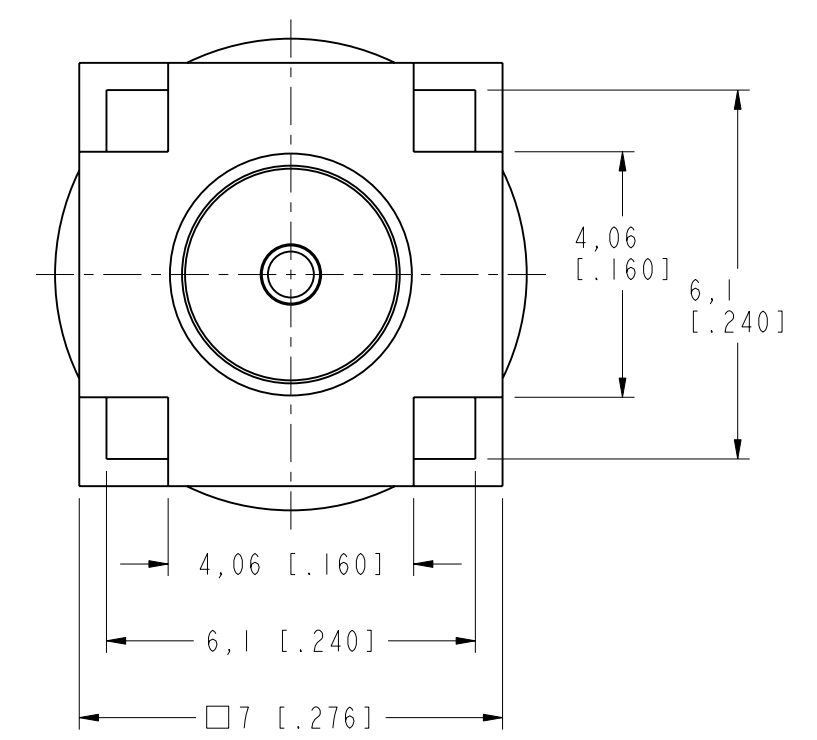
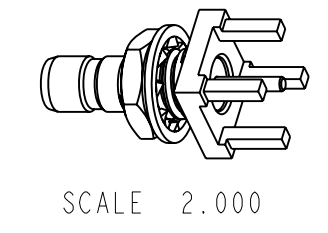
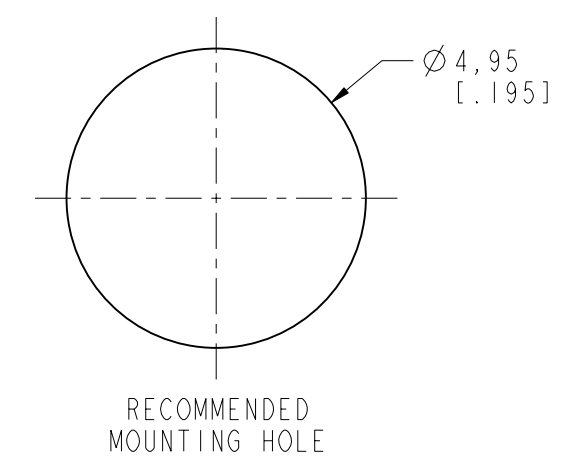
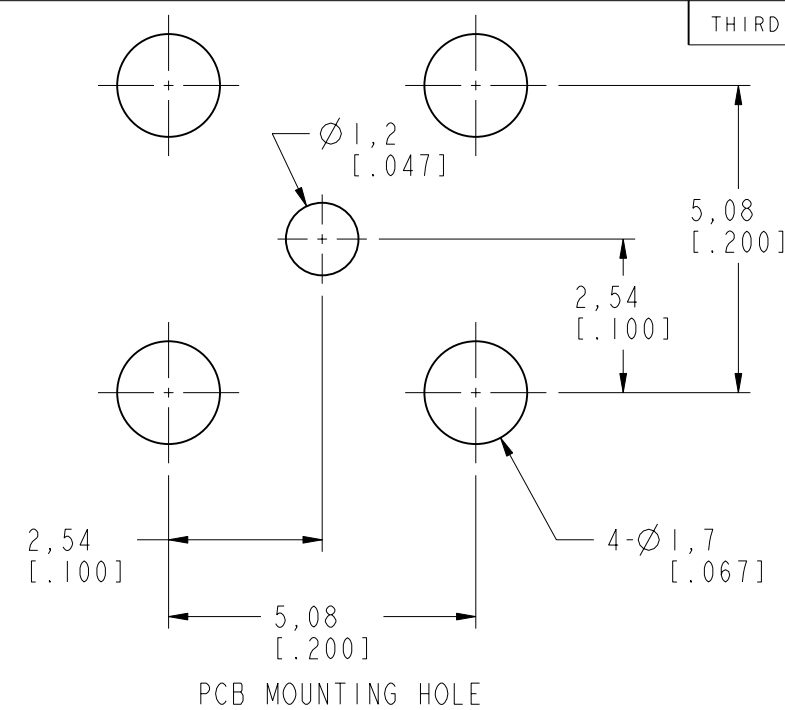
3. MECHANICAL:

- A. DURABILITY: 500 CYCLES MIN.
- B. TEMPERATURE RANGE: -65°C TO +165°C

4. PANEL THICKNESS=1.0~3.0mm



		REVISIONS		
REV	DESCRIPTION	DATE	ECO	APPR
NC	INITIAL RELEASE	29-Jan-98	-----	GRS
A	UPDATE DAAWING FORMAT	20-Jul-05	-----	GRS
B	SYNC, ADDED THE PANEL CUTOUT & NOTES \N/A	19-Aug-15	50699	SH



**CUSTOMER OUTLINE DRAWING**  
ALL OTHER SHEETS ARE FOR INTERNAL USE ONLY

<p>UNLESS OTHERWISE SPECIFIED, DIMENSIONS ARE IN METRIC AND TOLERANCES ARE:                  &lt;0.5mm ±0.05mm    0.5 - 6mm ±0.1mm    6 - 30mm ±0.2mm    30 - 120mm ±0.3mm    ANGLES ±1°</p> <p>NOTICE - These drawings, specifications, or other data (1) are, and remain the property of Amphenol corp. (2) must be returned upon request; and (3) are confidential and not to be disclosed to any person other than those to whom they are given by Amphenol Corp. the furnishing of these drawings, specifications, or other data by Amphenol Corp., or to any other person to anyone for any purpose is not to be regarded by implication or otherwise in any manner licensing, granting rights to permitting such holder or any other person to manufacture, use or sell any product, process or design, patented or otherwise, that may in any way be related to or disclosed by said drawings, specifications, or other data.</p>	MATERIAL	DRAWN M. ZHANG	DATE 11-Aug-15	<p>TITLE MINI 75 OHMS SMB BULKHEAD PCB MOUNT JACK</p>	<p>Amphenol RF www.amphenolrf.com</p>
	REFERENCE AND CONFIGURATION LEVEL: In Work	ENGINEER CHAREY	DATE 27-Aug-04		
	FINISH	APPROVED S. HSIEH	DATE 11-Aug-15	<p>DWG SIZE B    REV B</p>	<p>DRAWING NO. SMB1451B1-003-3GT30G-75</p>
					<p>ITEM NO. 121451AAF02GE7F</p> <p>PART NO. 142210-75</p>