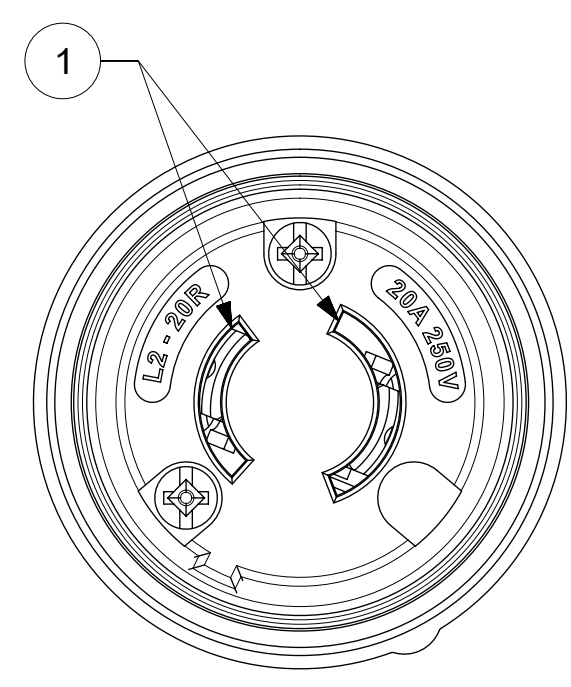
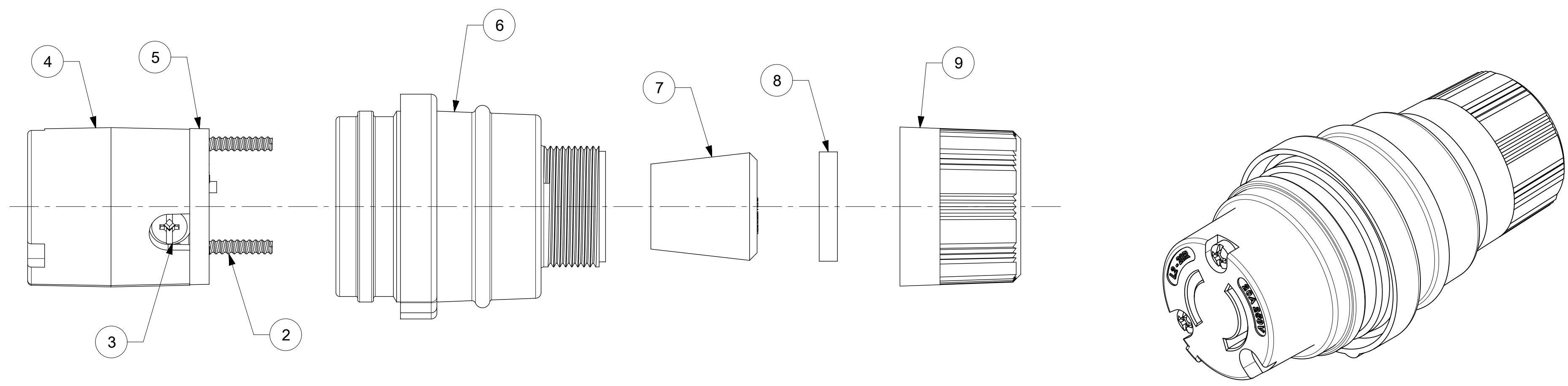
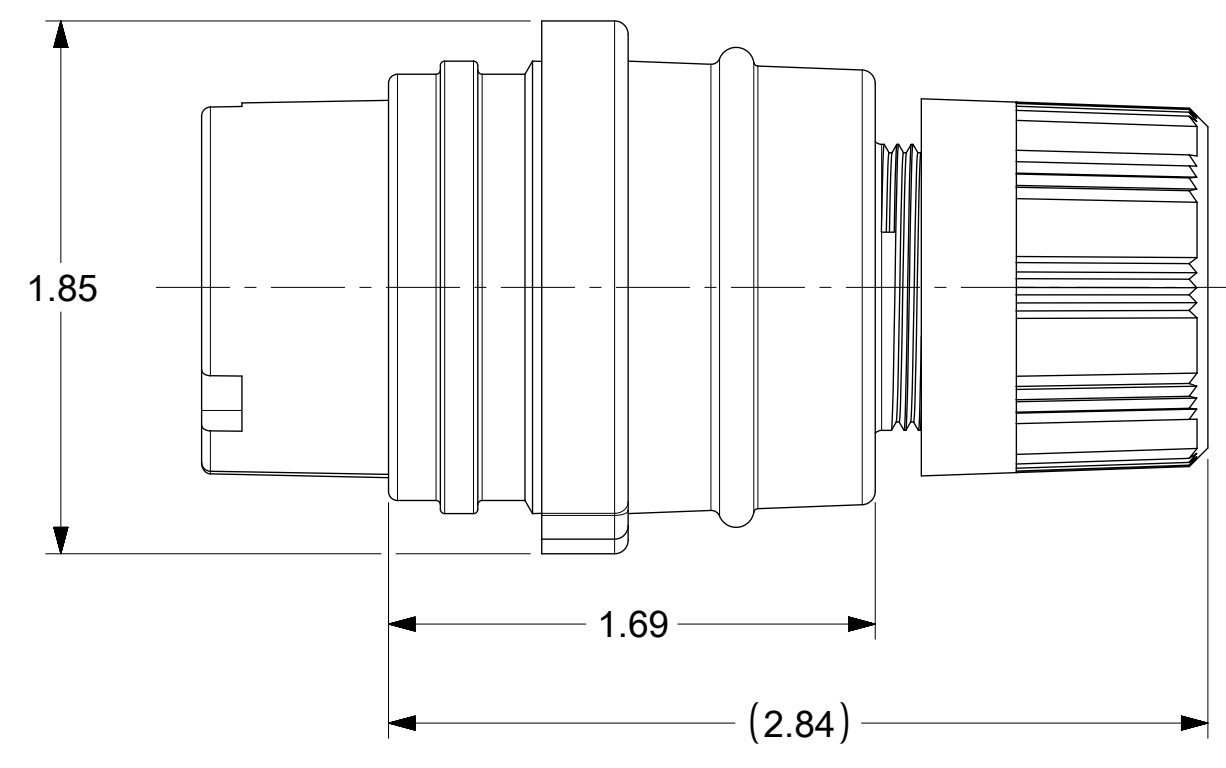


ORDER NO.	WOODHEAD NO.	COLOR
130146-0226	27W07MB-P	YELLOW



FACE VIEW



NOTES:

1. SEE INSTRUCTION SHEET NUMBER 1301414770 FOR PRODUCT SPECIFICATION.
2. CABLE RANGE FROM 0.375" TO 0.625"

ITEM NO.	DESCRIPTIONS	MATERIAL	QTY.
1	BLADES	BRASS	2
2	RETAINING SCREWS	STAINLESS STEEL	2
3	TERMINAL SCREWS	BRASS, ZINC PLATED	2
4	INSERT	NYLON	1
5	TERMINAL COVER	POLYCARBONATE	1
6	HOUSING	RUBBER WITH NYLON THREAD	1
7	GROMMETS	RUBBER	5
8	FRICTION RING	NYLON	1
9	COMPRESSION NUT	NYLON	1

SYMBOLS		THIS DRAWING CONTAINS INFORMATION THAT IS PROPRIETARY TO MOLEX ELECTRONIC TECHNOLOGIES, LLC AND SHOULD NOT BE USED WITHOUT WRITTEN PERMISSION		CURRENT REV DESC: RELEASED		molex	
▽ = 0	INCH	SCALE	NTS	EC NO: 613684			
▽ = 0	GENERAL TOLERANCES (UNLESS SPECIFIED)		4 PLACES ±		DRWN: ABABU01	2018/11/27	
▽ = 0	ANGULAR TOL ± 0.5°		3 PLACES ± 0.005		CHK'D: DNGUYEN62	2019/03/15	
▽ = 0	2 PLACES ± 0.01		1 PLACE ± 0.02		APPR: HKNEELAND	2019/03/21	
▽ = 0	DRAFT WHERE APPLICABLE MUST REMAIN WITHIN DIMENSIONS		THIRD ANGLE PROJECTION		INITIAL REVISION:		PRODUCT CUSTOMER DRAWING
▽ = 0	DRAWING		SERIES		DRWN: ABABU01	2018/11/27	
▽ = 0	C-SIZE		130146		APPR: HKNEELAND	2019/03/21	
DOCUMENT NUMBER		CUSTOMER		SHEET NUMBER		DOC TYPE DOC PART REVISION	
1301460226		GENERAL MARKET		1 OF 1		PSD 000 A	