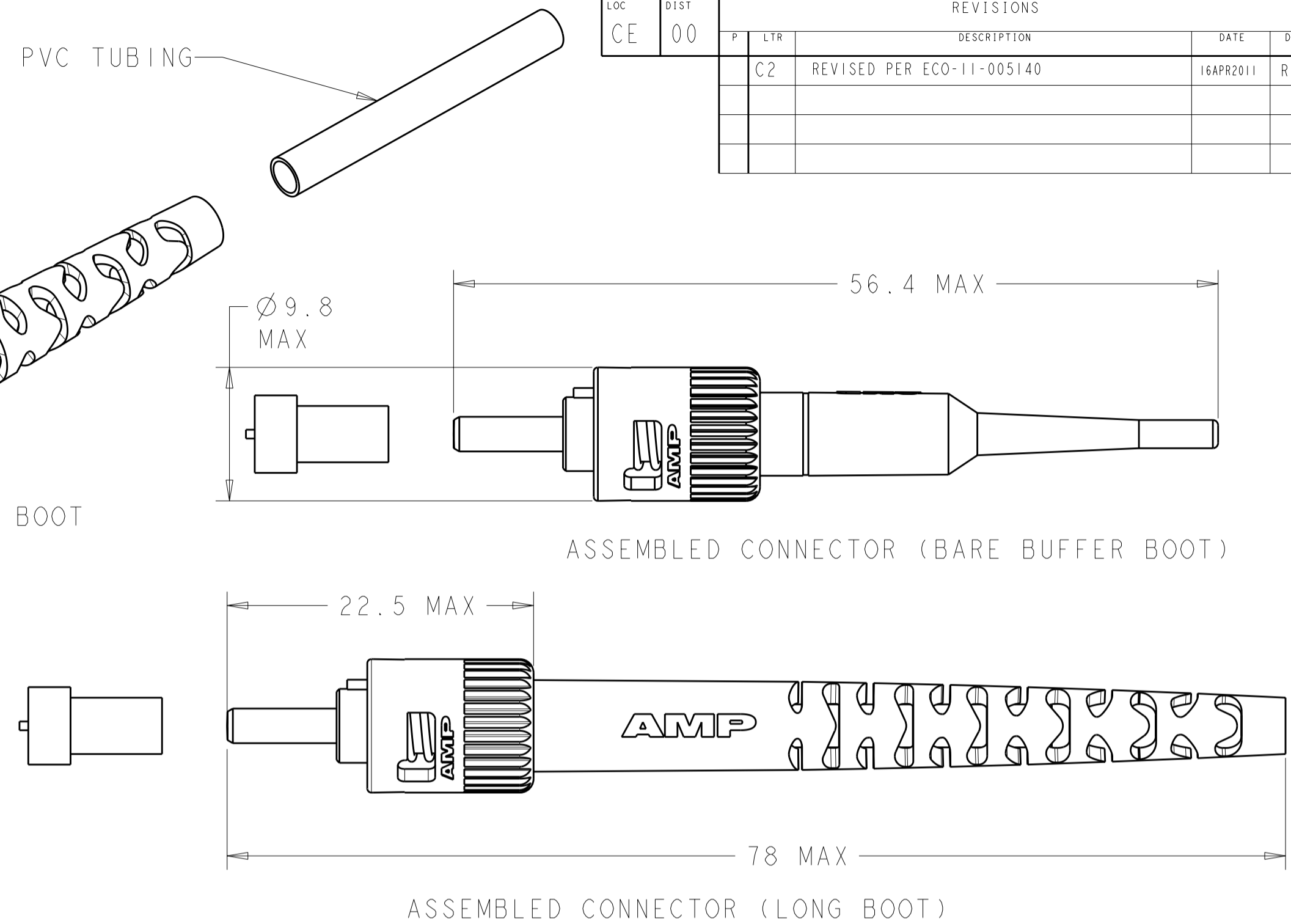
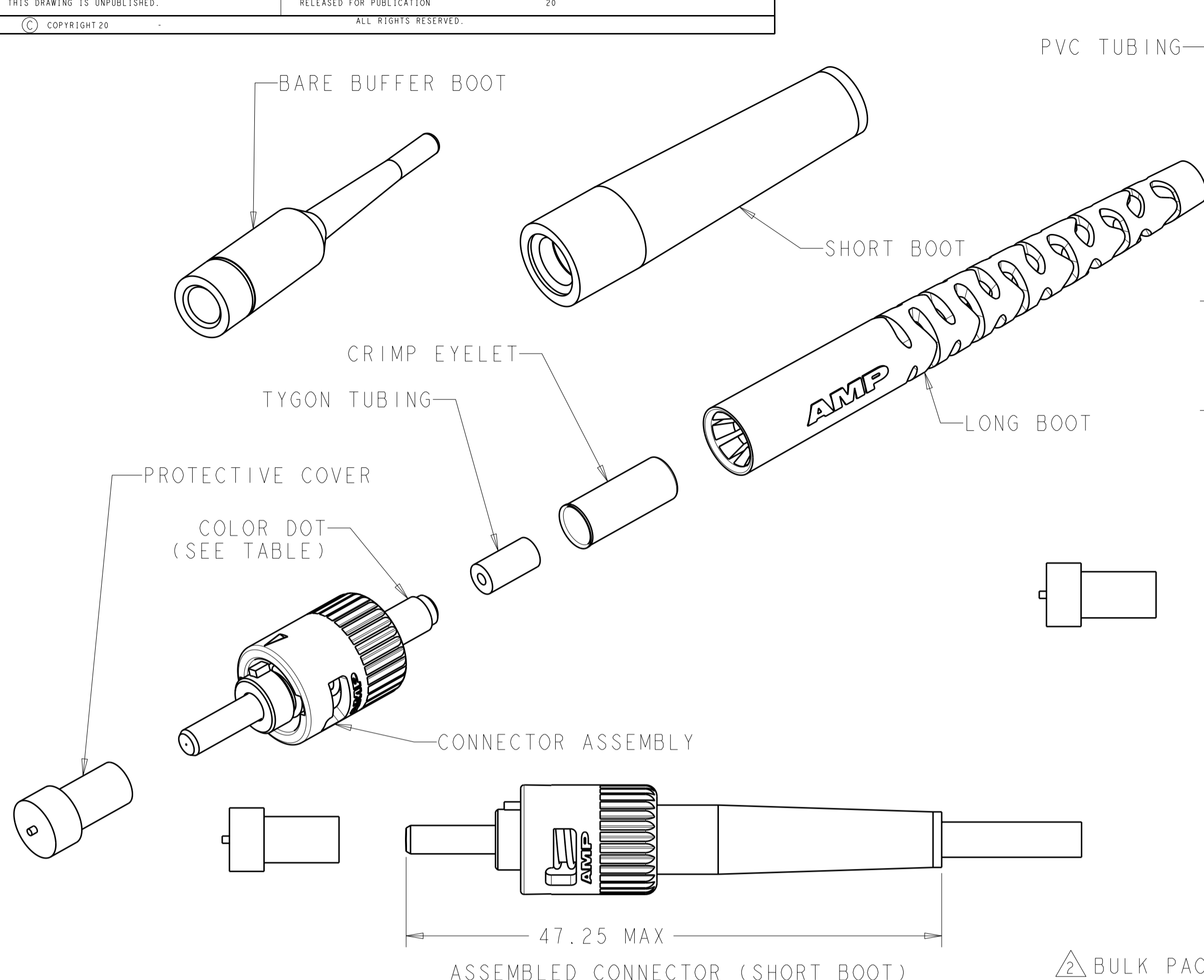


THIS DRAWING IS UNPUBLISHED. RELEASED FOR PUBLICATION 20  
 © COPYRIGHT 20 ALL RIGHTS RESERVED.

REVISIONS				
P	LTR	DESCRIPTION	DATE	APVD
C2		REVISED PER ECO-11-005140	16APR2011	RK HMR



- 1 MATERIAL:**  
 PROTECTIVE COVER: LDPE, COLOR: BLACK, NON-FR.  
 CONNECTOR ASSEMBLY:  
 FERRULE ASSEMBLY: CERAMIC/NICKEL PLATED BRASS.  
 SPRING: STAINLESS STEEL.  
 COUPLING NUT: ZINC.  
 RETENTION RING: STAINLESS STEEL.  
 CRIMP EYELET: TIN PLATED COPPER.  
 LONG BOOT: TPE, UL94 HB RATED AT QUALIFYING THICKNESS, SEE DASH NUMBER FOR COLOR.  
 SHORT BOOT: TPE, UL94 V-0 RATED AT QUALIFYING THICKNESS, SEE DASH NUMBER FOR COLOR.  
 BUFFER BOOT: TPE, UL94 V-0 RATED AT QUALIFYING THICKNESS, SEE DASH NUMBER FOR COLOR.  
 TYGON TUBING: TYGON, COLOR: CLEAR.  
 PVC TUBING: PVC, COLOR: BLACK, NON-FR.

**2 BULK PACKAGE.**

3. INSTRUCTION SHEET: 408-9971 AVAILABLE FOR DOWNLOAD AT [www.tycoelectronics.com/documents](http://www.tycoelectronics.com/documents) OR [www.ampnetconnect.com/foguide](http://www.ampnetconnect.com/foguide).

DESCRIPTION	BOOT COLOR	COLOR DOT	FIBER SIZE	PART NUMBER
SHORT BOOT	BLACK	-	125um	2-5501380-0
SHORT BOOT	BLACK	-	125um	1-5501380-6
LONG BOOT	BLACK	GREEN	140um	5501380-6
BARE BUFFER AND LONG BOOT	BLACK	-	125um	5501380-1

THIS DRAWING IS A CONTROLLED DOCUMENT.		DWN B. BRIGGS 27APR2005	TE Connectivity	
DIMENSIONS: mm		CHK S. BUCHTER 27APR2005		
TOLERANCES UNLESS OTHERWISE SPECIFIED:		APVD S. BUCHTER 27APR2005		
0 PLC ± 1 PLC ± 2 PLC ± 3 PLC ± 4 PLC ± ANGLES ± FINISH		NAME		
MATERIAL		PRODUCT SPEC	CONNECTOR KIT, 2.5mm BAYONET	
		APPLICATION SPEC	SIZE	RESTRICTED TO
		WEIGHT	A200779	
		CUSTOMER DRAWING	CAGE CODE	
			DRAWING NO	
			G=5501380	
			SCALE 3:1	
			SHEET 1 OF 1	
			REV C2	