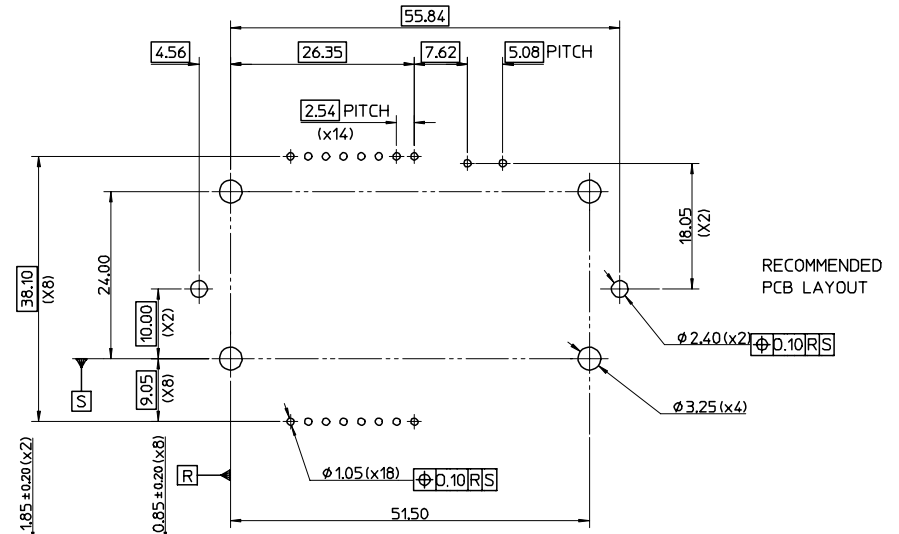
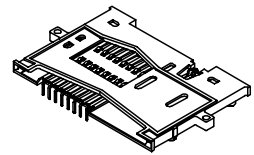
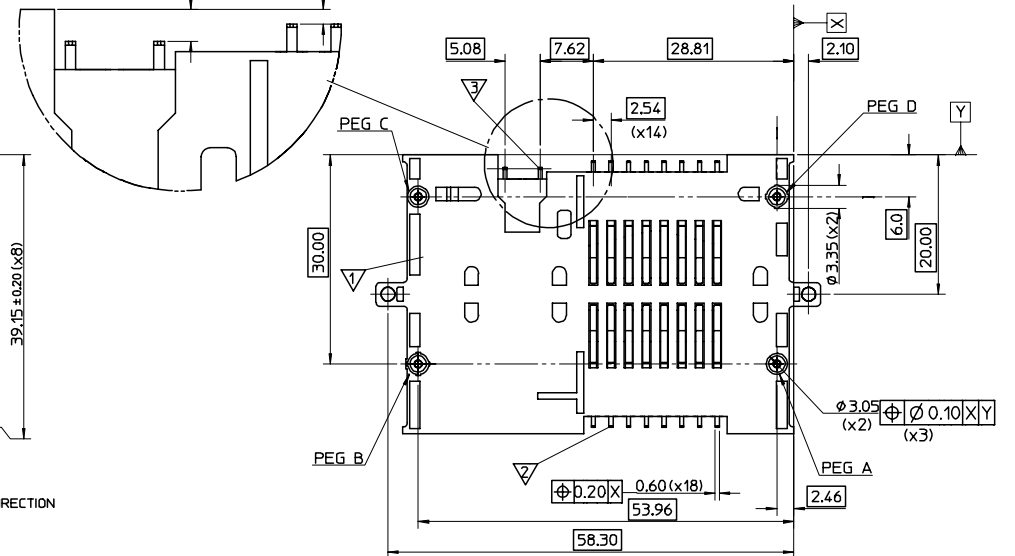
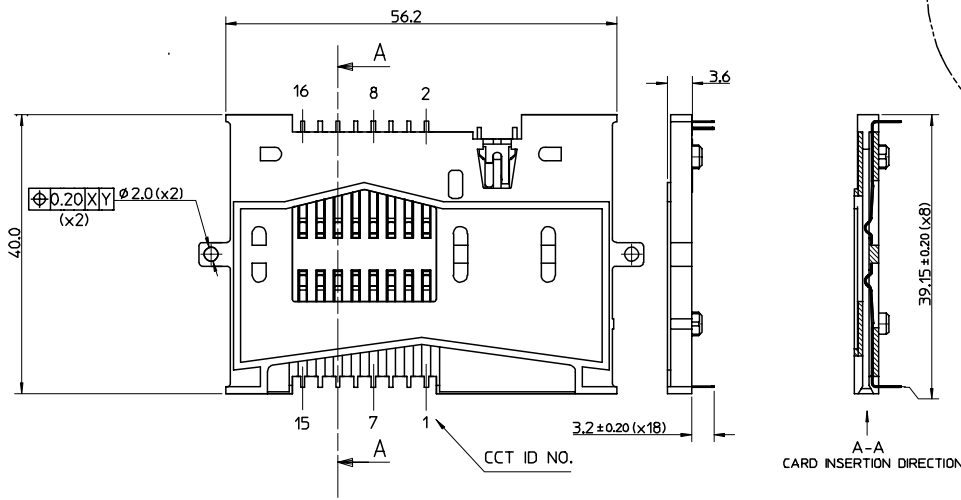


ITEM	COMPONENT	QTY	MATERIAL
▽	HOUSING	1	POLYAMIDE (PA46) ,45% GLASS FILL ,COLOUR BLACK
▽	SIGNAL TERMINAL	SEE CHART	0.20 REF. THK. PHOSPHOR BRONZE GOLD OVER NICKEL ON CONTACT AREA
▽	SWITCH CONTACT	1	TIN IN SOLDER AREA. NICKEL UNDERCOAT ALLOVER

PART NO.	CCT SIZE	WITH PEGS	HOLD DOWN FEATURES	PART NO.	CCT SIZE	WITH PEGS	HOLD DOWN FEATURES
91322-0004	8	A,B,C,D	YES	91322-0003	16	A,B,C,D	YES
91322-0026	8	A,B,C,D	NO	91322-0040	16	A,B,C,D	NO
91322-0019	8	A,C	YES	91322-0033	16	A,C	YES
91322-0020	8	A,C	NO	91322-0034	16	A,C	NO
91322-0021	8	B,D	YES	91322-0035	16	B,D	YES
91322-0022	8	B,D	NO	91322-0036	16	B,D	NO
91322-0023	8	NONE	YES	91322-0037	16	NONE	YES
91322-0024	8	NONE	NO	91322-0038	16	NONE	NO



RECOMMENDED
PCB LAYOUT



NOTES:
1. SEE PRODUCT SPECIFICATION PS-91321-005
2. PACKAGING: TRAYS.

DRAWING ERROR EC NO: E2006-0249 DRAWN: DBYRNES 08/11/2004 CHKD: 2005/10/04 APPR: BMAGUIRE 2005/10/12	QUALITY SYMBOLS	GENERAL TOLERANCES (UNLESS SPECIFIED)	SCALE 2 : 1	DESIGN UNITS METRIC	THIRD ANGLE PROJECTION	REVISE ON CAD ONLY	
	▽ 0	mm INCH	DIMENSION STYLE MM ONLY		TITLE SMART CARD CONNECTOR FRICTION (THRU HOLE)		
	∇ 0	4 PLACES ± --- ± --- 3 PLACES ± --- ± --- 2 PLACES ± 0.05 ± --- 1 PLACE ± 0.10 ± ---	DRAWN BY DATE MKEANE 98/08/28 CHECKED BY DATE JHORGAN 98/08/28 APPROVED BY DATE MWLHITE 98/08/28	MATERIAL NO. SEE CHART		DOCUMENT NO. SD-91322-005	SHEET NO. 1 OF 1
		ANGULAR ± 1/2° DRAFT WHERE APPLICABLE MUST REMAIN WITHIN DIMENSIONS	THIS DRAWING CONTAINS INFORMATION THAT IS PROPRIETARY TO MOLEX INCORPORATED AND SHOULD NOT BE USED WITHOUT WRITTEN PERMISSION				