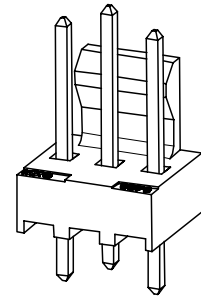
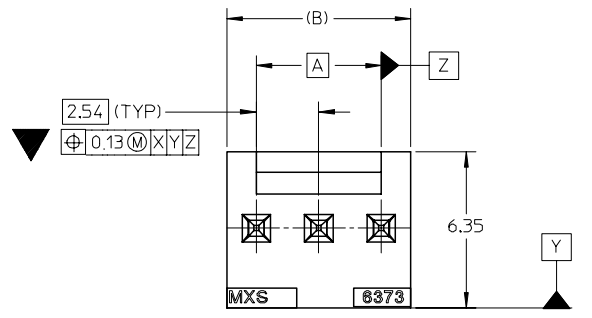
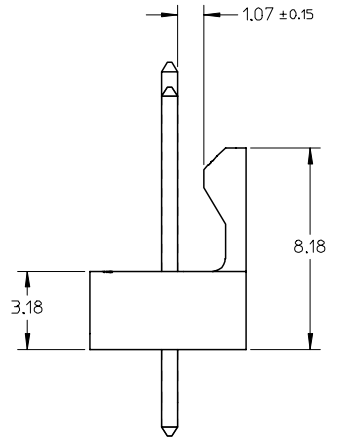
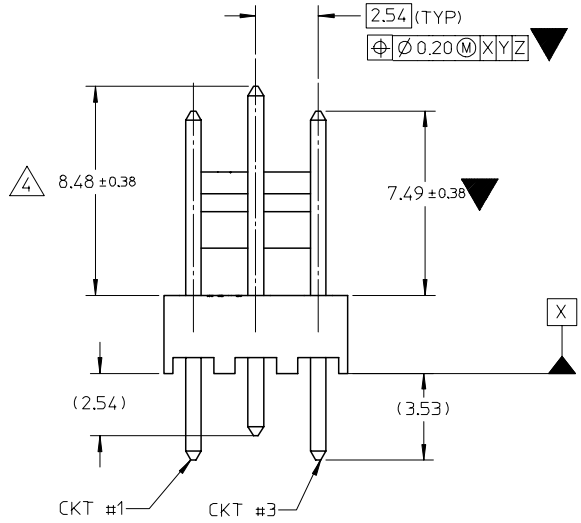


ASSEMBLY	CKT	CKT # WITH LONGER PINS \triangle	QUANTITY PER BAG	DIM. A	DIM. B
45661-0003	3	2	500	5.08	7.47
45661-0006	6	1, 6	300	12.70	15.09



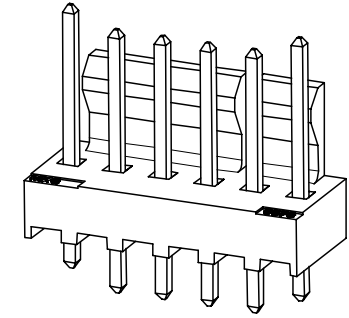
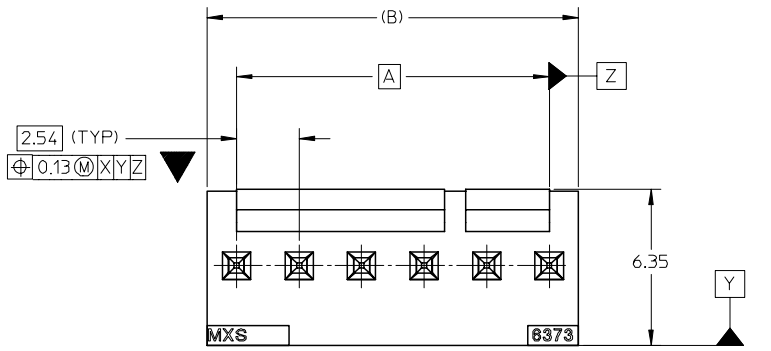
3CKT ASSEMBLY



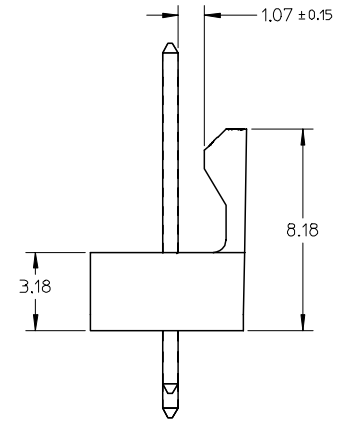
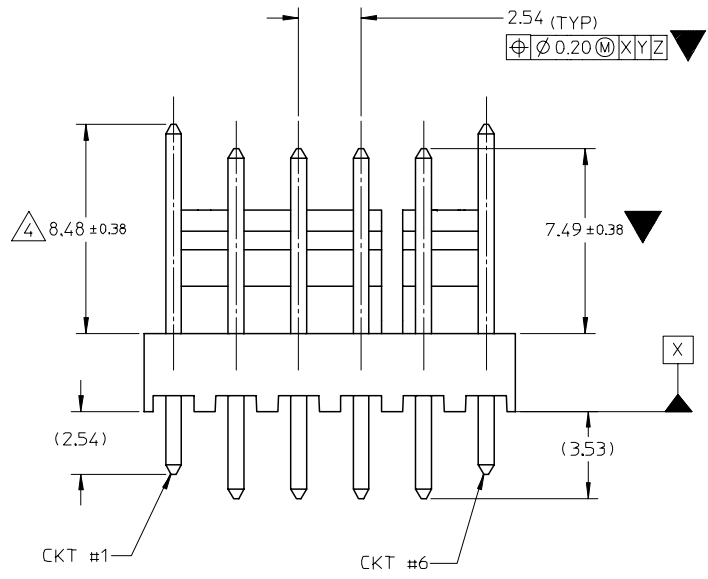
- NOTES:
- MATERIAL: NYLON, UL 94V-0, COLOR: WHITE
 - FINISH: 5.00μm MIN. TIN OVER 1.25μm MIN. NICKEL UNDERPLATE OVERALL.
 - PRODUCT SPECIFICATION: PS-10-07
 - \triangle REFER TO TABLE FOR FIRST MATE LAST BREAK PIN'S POSITION.

EC NO: S2006-0696 DRWNS:KLI IM01 2005/12/30 CHKD:BOKOK 2006/01/03 APPR:PATEY 2006/01/03	DESCRIPTION REV	QUALITY SYMBOLS $\nabla=3$ $\nabla C=0$	GENERAL TOLERANCES (UNLESS SPECIFIED)		DIMENSION STYLE MM ONLY		SCALE NTS	DESIGN UNITS METRIC	\triangle THIRD ANGLE PROJECTION		
				DRAWN BY XSAMIEC	DATE 2003/10/06	KK 100 HEADER FRLK WITH MULTIPLY MATING					
				CHECKED BY MARGULIS	DATE 2003/10/06	MOLEX INCORPORATED					
				APPROVED BY MARGULIS	DATE 2003/10/06	MATERIAL NO. SEE TABLE		DOCUMENT NO. SD-45661-003	SHEET NO. 1 OF 2		
DRAFT WHERE APPLICABLE MUST REMAIN WITHIN DIMENSIONS		SIZE A3		THIS DRAWING CONTAINS INFORMATION THAT IS PROPRIETARY TO MOLEX INCORPORATED AND SHOULD NOT BE USED WITHOUT WRITTEN PERMISSION							

10 9 8 7 6 5 4 3 2 1



6CKT ASSEMBLY



EC NO: S2006-0696 DRWNS:SKL1M01 CHKD:BOBOK APPR:PATEY 2005/12/30 2006/01/03 2006/01/03	QUALITY SYMBOLS $\nabla = 3$ $\nabla C = 0$	GENERAL TOLERANCES (UNLESS SPECIFIED)		DIMENSION STYLE MM ONLY	SCALE NTS	DESIGN UNITS METRIC	$\text{THIRD ANGLE PROJECTION}$														
		<table border="1"> <thead> <tr> <th></th> <th>mm</th> <th>INCH</th> </tr> </thead> <tbody> <tr> <td>4 PLACES</td> <td>± ---</td> <td>± ---</td> </tr> <tr> <td>3 PLACES</td> <td>± ---</td> <td>± ---</td> </tr> <tr> <td>2 PLACES</td> <td>± 0.25</td> <td>± ---</td> </tr> <tr> <td>1 PLACE</td> <td>± 0.38</td> <td>± ---</td> </tr> </tbody> </table>		mm	INCH	4 PLACES	± ---	± ---	3 PLACES	± ---	± ---	2 PLACES	± 0.25	± ---	1 PLACE	± 0.38	± ---	DRAWN BY KSAMIEC	DATE 2003/10/06	KK 100 HEADER FRLK WITH MULTIPLY MATING	
			mm	INCH																	
		4 PLACES	± ---	± ---																	
3 PLACES	± ---	± ---																			
2 PLACES	± 0.25	± ---																			
1 PLACE	± 0.38	± ---																			
ANGULAR ± 3 °	CHECKED BY MARGUL IS	DATE 2003/10/06																			
DRAFT WHERE APPLICABLE MUST REMAIN WITHIN DIMENSIONS		SEE TABLE	APPROVED BY MARGUL IS	DATE 2003/10/06	MOLEX INCORPORATED		SHEET NO. 2 OF 2														
A2	REV	DRAFT WHERE APPLICABLE MUST REMAIN WITHIN DIMENSIONS		MATERIAL NO. SEE TABLE	DOCUMENT NO. SD-45661-003	MOLEX INCORPORATED															

9 8 7 6 5 4 3 2 1