

CPA TO BE INSTALLED IN PRE-LOCK POSITION AS SHOWN IN BOTH VIEWS. SEE NOTE #5

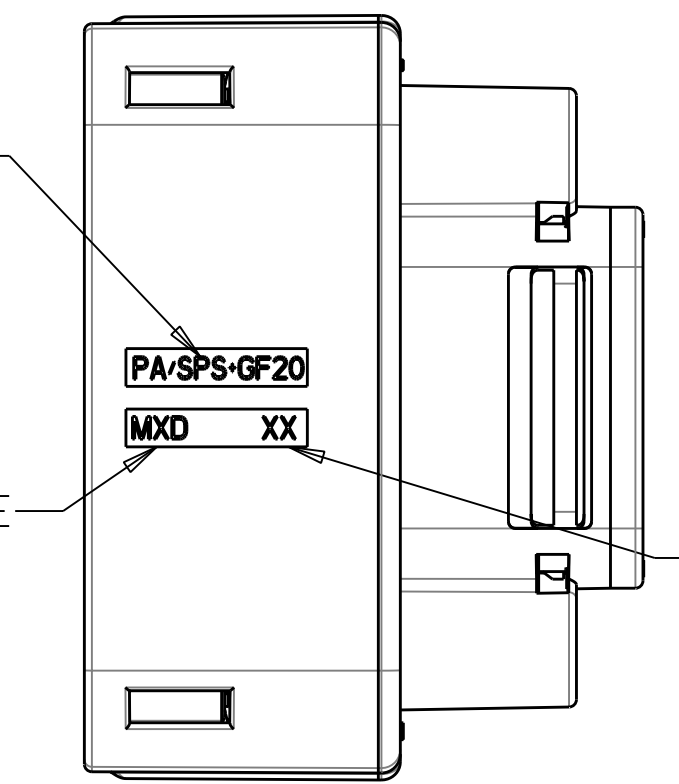
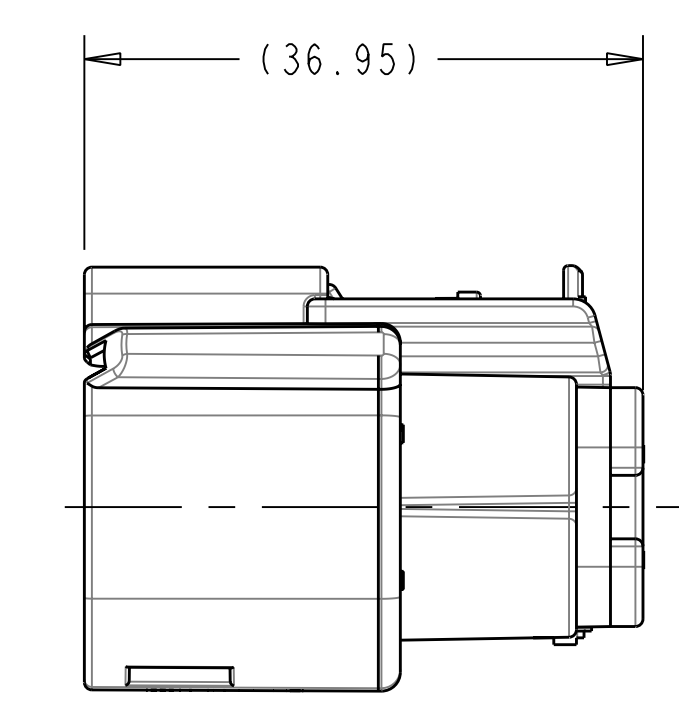
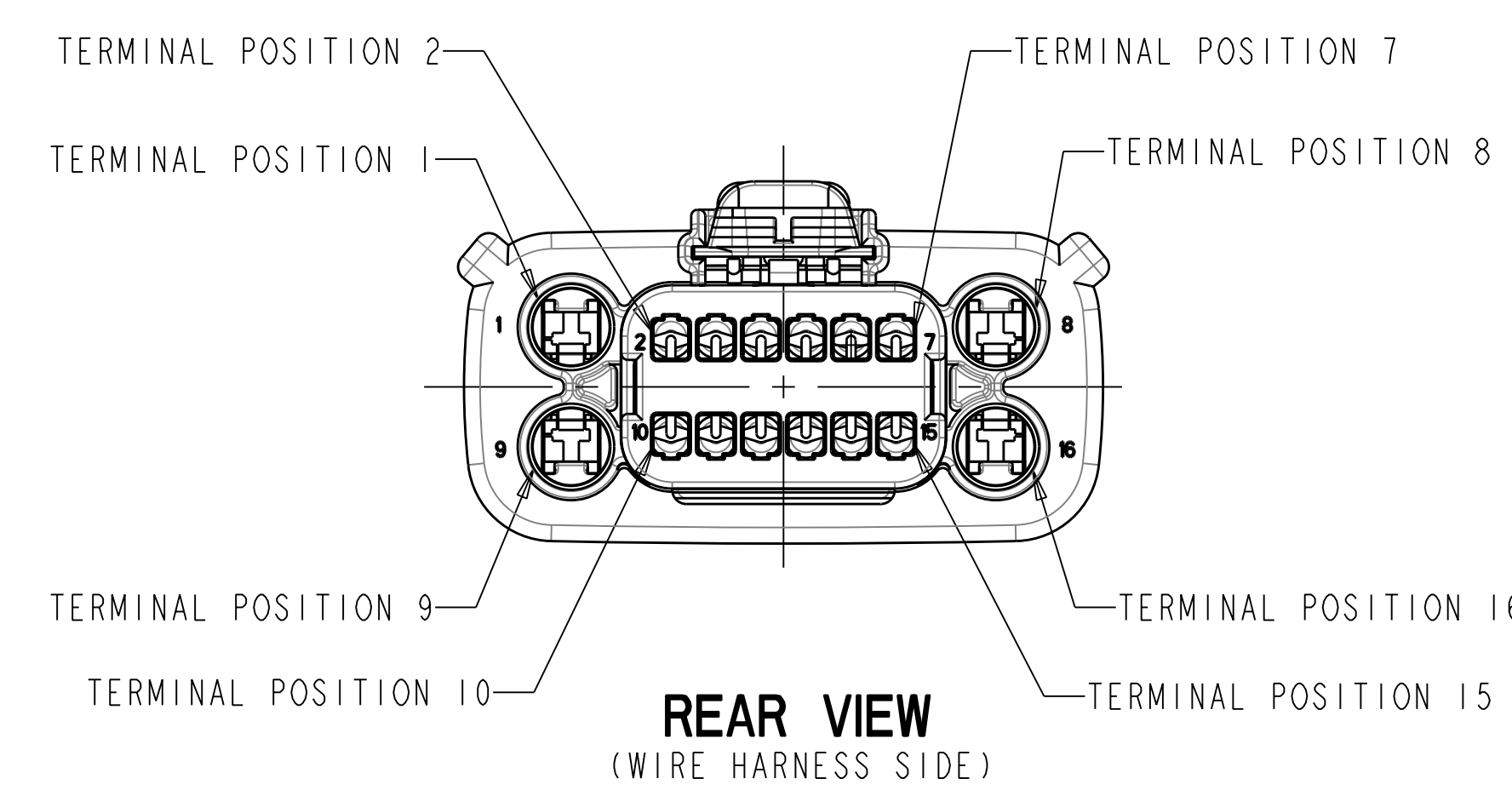
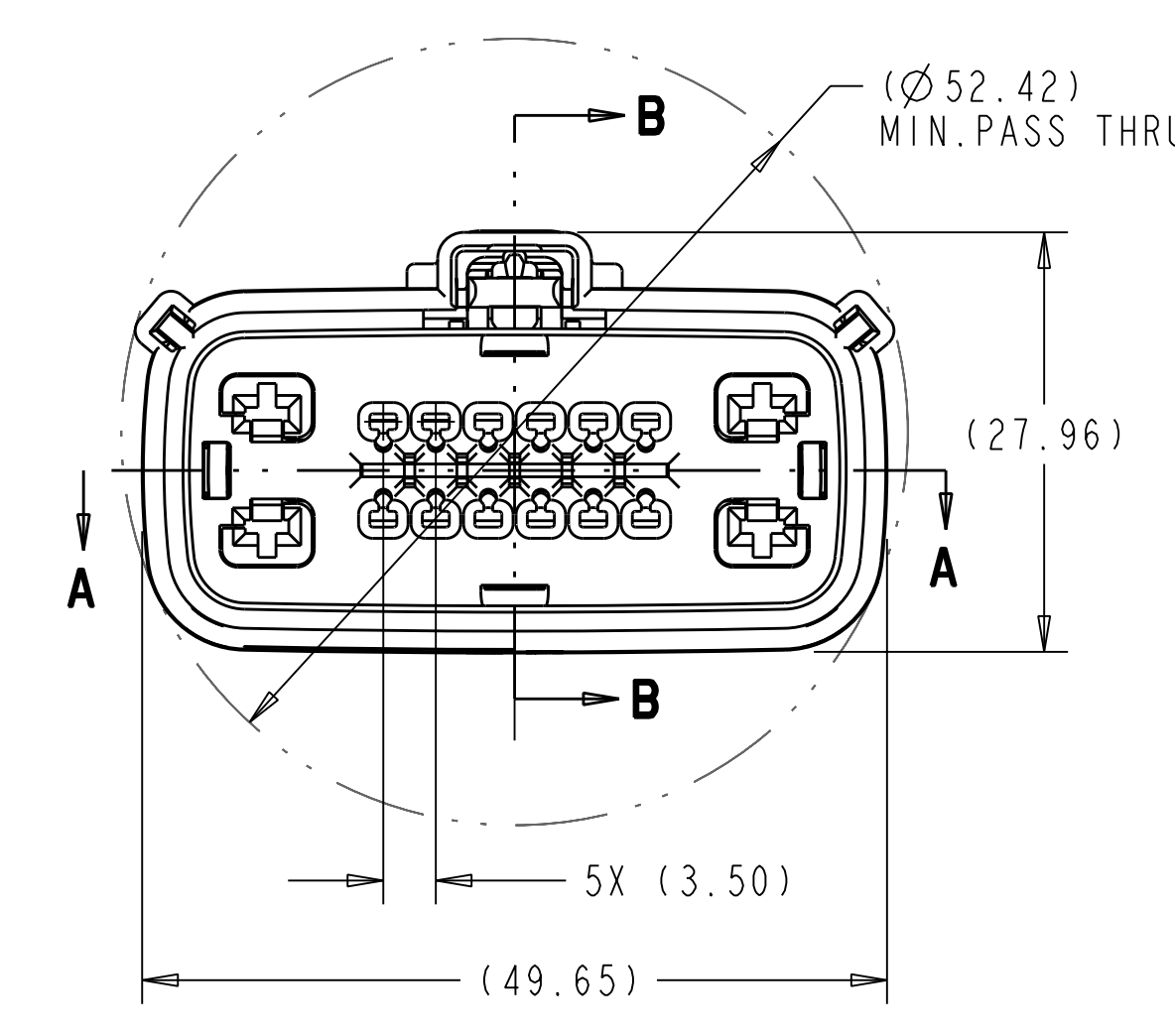
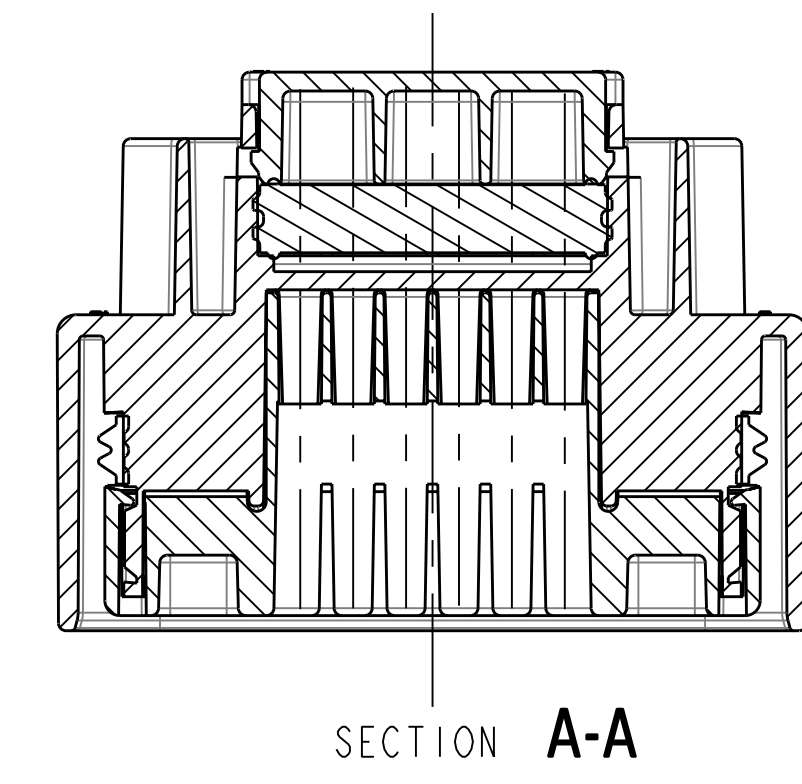
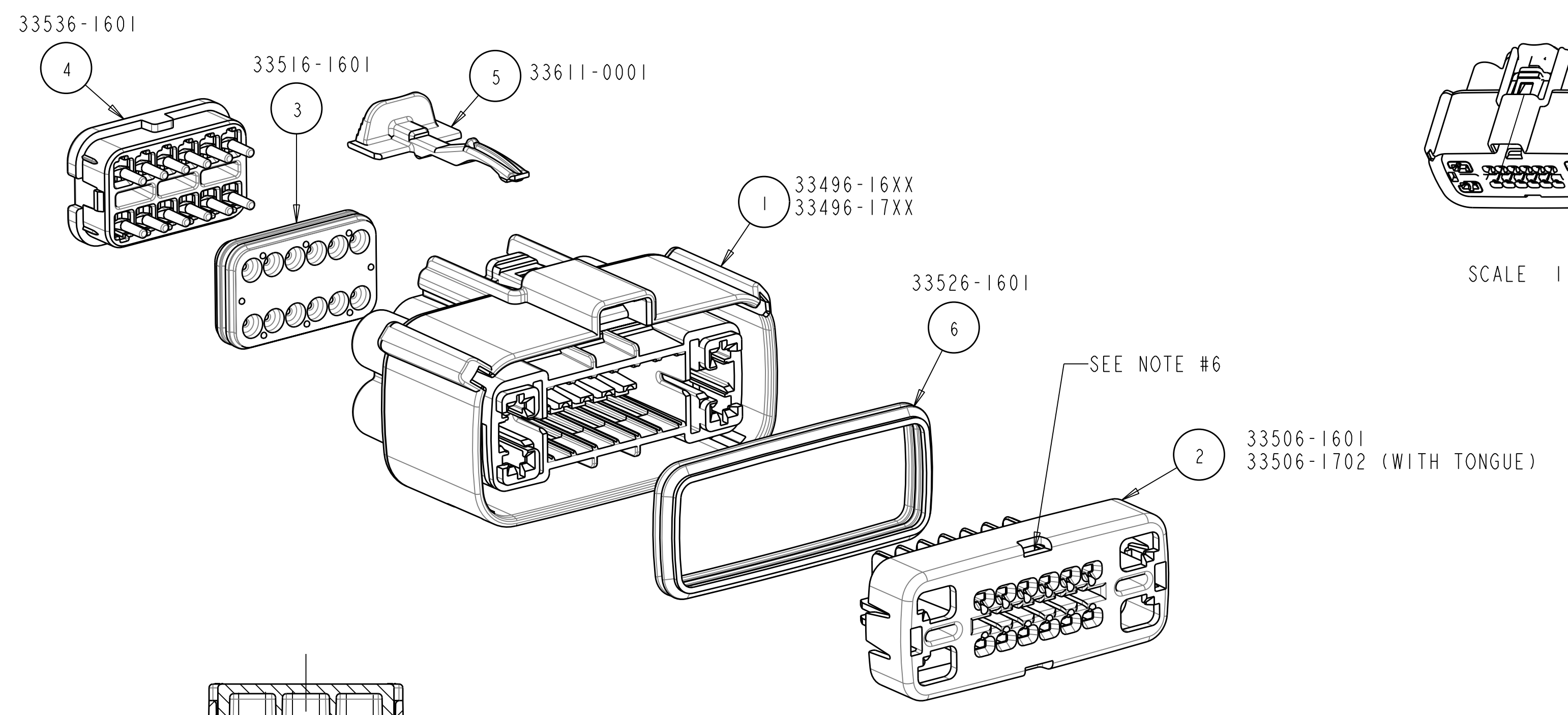
CPA TO BE INSTALLED IN PRE-LOCK POSITION AS SHOWN IN BOTH VIEWS. SEE NOTE #5

SECTION B-B (RECEPTACLE INSERT WITH SHORTING BAR SHOWN IN PRE-LOCK) SEE NOTE #2

SECTION B-B (RECEPTACLE INSERT WITH SHORTING BAR SHOWN IN FULL-LOCK) SEE NOTE #2

SECTION B-B (RECEPTACLE INSERT SHOWN IN PRE-LOCK POSITION) SEE NOTE #2

SECTION B-B (RECEPTACLE INSERT SHOWN IN FULL-LOCK POSITION) SEE NOTE #2



MATERIAL RECYCLE CODE
MOLDING LOCATION CODE
MOLD CAVITY I.D.

- NOTES: UNLESS OTHERWISE SPECIFIED
- DESIGNED TO MATE WITH BLADE HOUSING ASSEMBLY SPECIFIED IN CHARTED DRAWING E-33486-161 OR DEVICE CONNECTION AS SPECIFIED IN DRAWING E-33586-161. SEE CHART
 - ASSEMBLY SHIPPED WITH RECEPTACLE INSERT IN PRE-LOCK POSITION (SEE SECTION B-B PRE-LOCK). UPON FULL TERMINAL ASSEMBLY, EACH RECEPTACLE INSERT MUST BE SNAPPED INTO ITS FINAL-LOCK POSITION.
 - FOR 1.5mm RECEPTACLE TERMINALS TO BE USED WITH THIS ASSEMBLY, SEE MOLEX DRAWING E-33012-001. FOR FORD 2.8mm FEMALE RECEPTACLE SEE CHART.
 - SYSTEM TO BE USED WITH WIRE WITHIN Ø RANGE OF 1.2mm TO 2.4mm.
 - OPTIONAL CPA SHOWN IN ALL VIEWS. SEE TABLES FOR SPECIFIC ASSEMBLY OPTION AND NUMBER. CPA MUST BE INSERTED TO THE PRE-LOCK POSITION, AS SHOWN IN SECTION B-B. WHEN CORRECTLY SEATED THE CPA DOES NOT MOVE, FREELY.
 - SERVICE WITH SCREWDRIVER.
 - REFER TO SHEET # 2 OF THIS DRAWING FOR ALL PART NUMBER CONFIGURATION OPTIONS.
 - REFER TO ASSEMBLY DRAWING E-33476-181 FOR RECEPTACLE WITH CLIP SLOT OPTIONS.
 - a. ENGAGEMENT FORCE - NO TERMINALS (PRE TO FINAL): 15N MIN.
b. ENGAGEMENT FORCE - WITH TERMINALS (PRE TO FINAL): 60N MAX.
c. DISENGAGEMENT FORCE - WITH TERMINALS (FINAL TO PRE): 18N MIN. 60N MAX.
d. PARTIALLY INSTALLED TERMINAL DETECTION - 80N MIN OR 40N GREATER THAN (b) WHICHEVER IS GREATER.
e. REMOVAL FORCE - WITH TERMINALS (FINAL TO OUT OF CONNECTOR): 25N MIN.

TYCO 2.8mm CABLE SEAL TERMINAL	
FORD P/N	GRIP SIZE
IFIT-14474-KA	12
IFIT-14474-JA	14
IFIT-14474-HA	16
IFIT-14474-GA	18
IFIT-14474-FA	20
IFIT-14474-EA	22

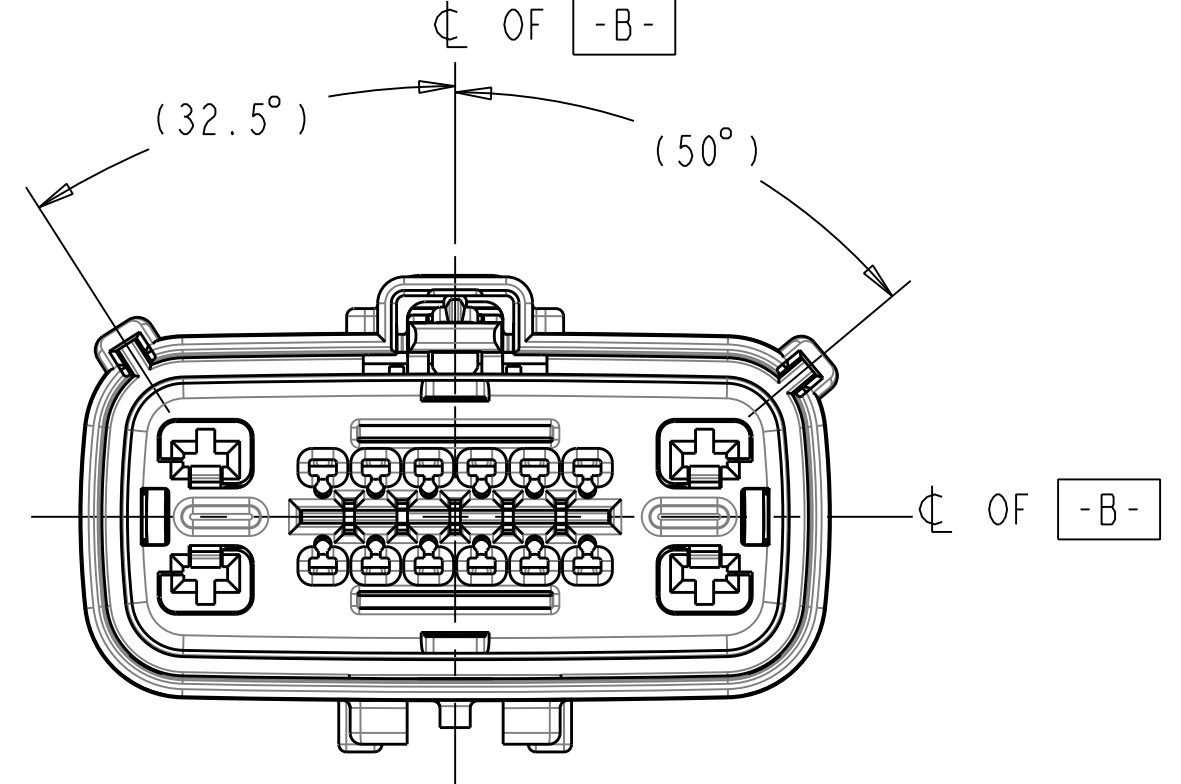
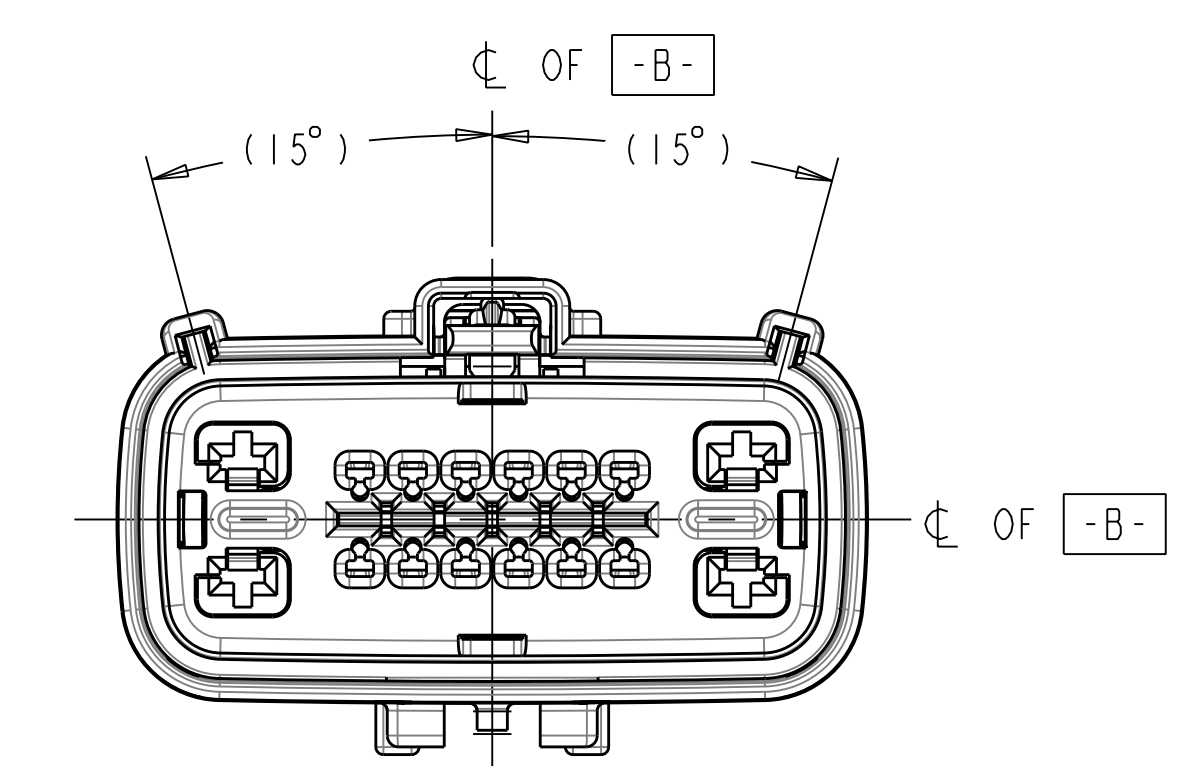
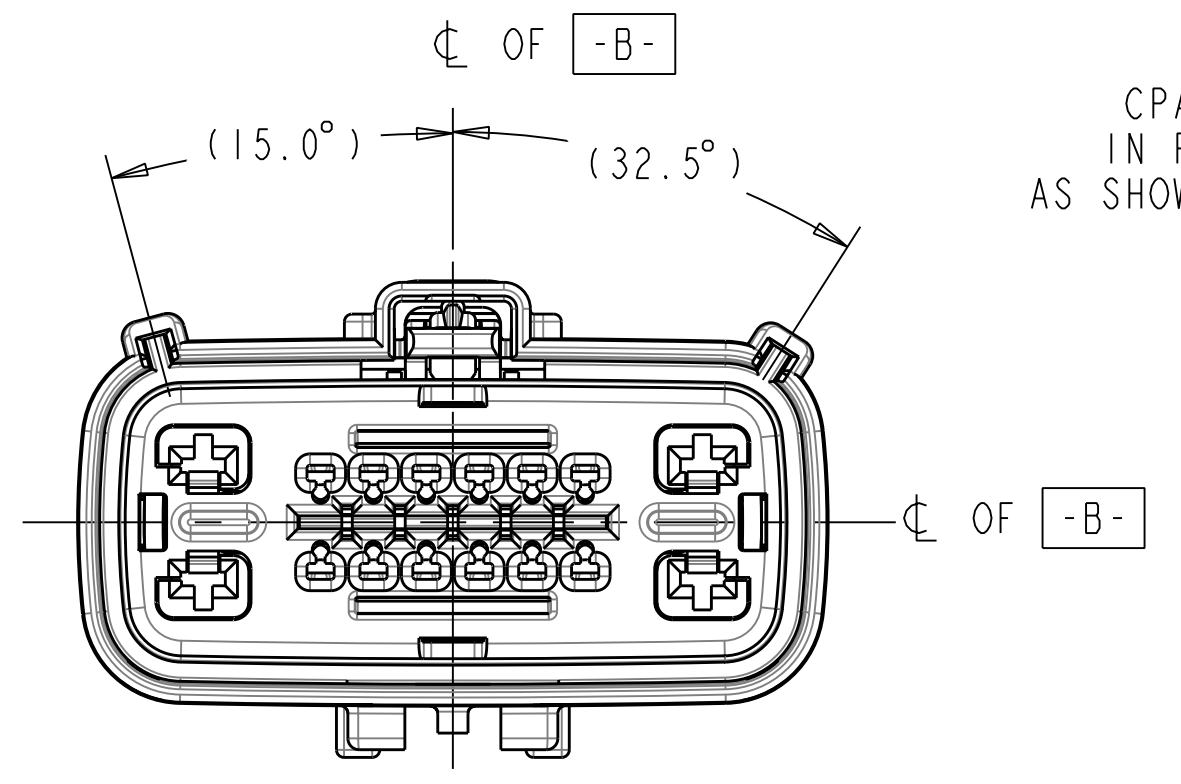
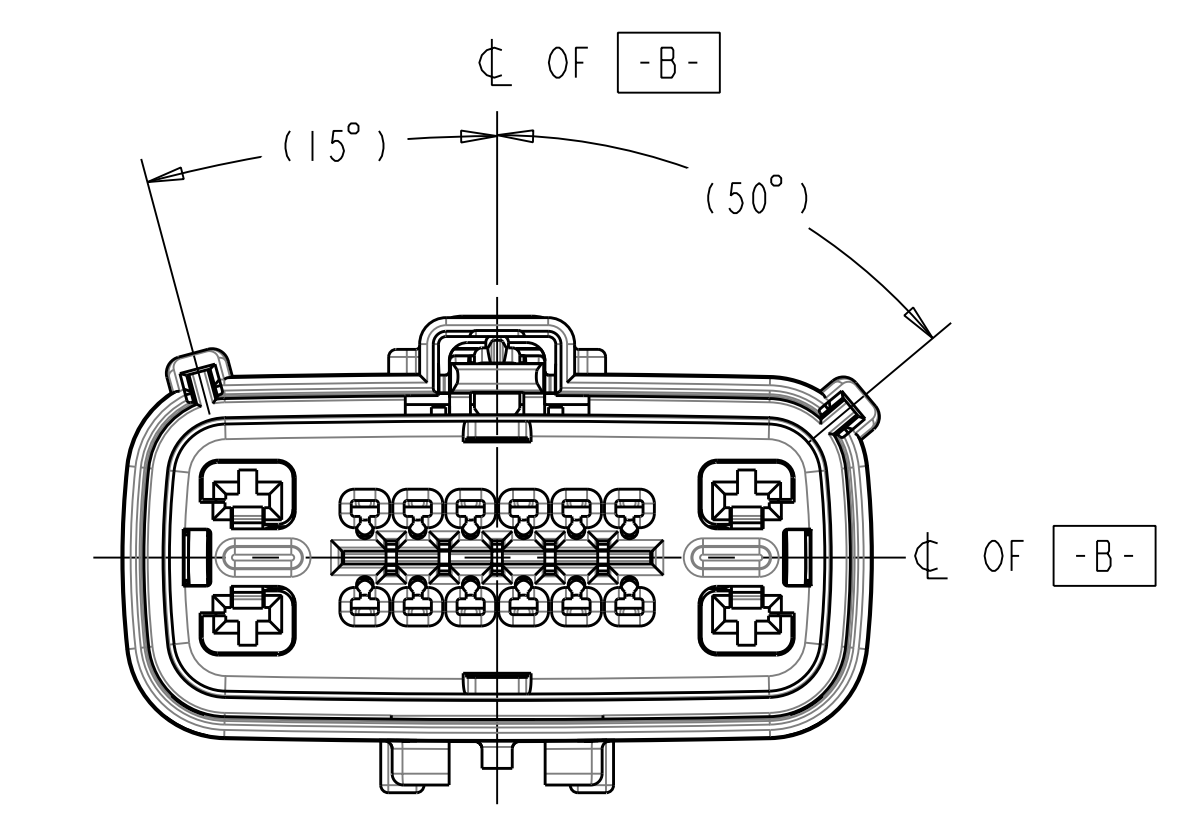
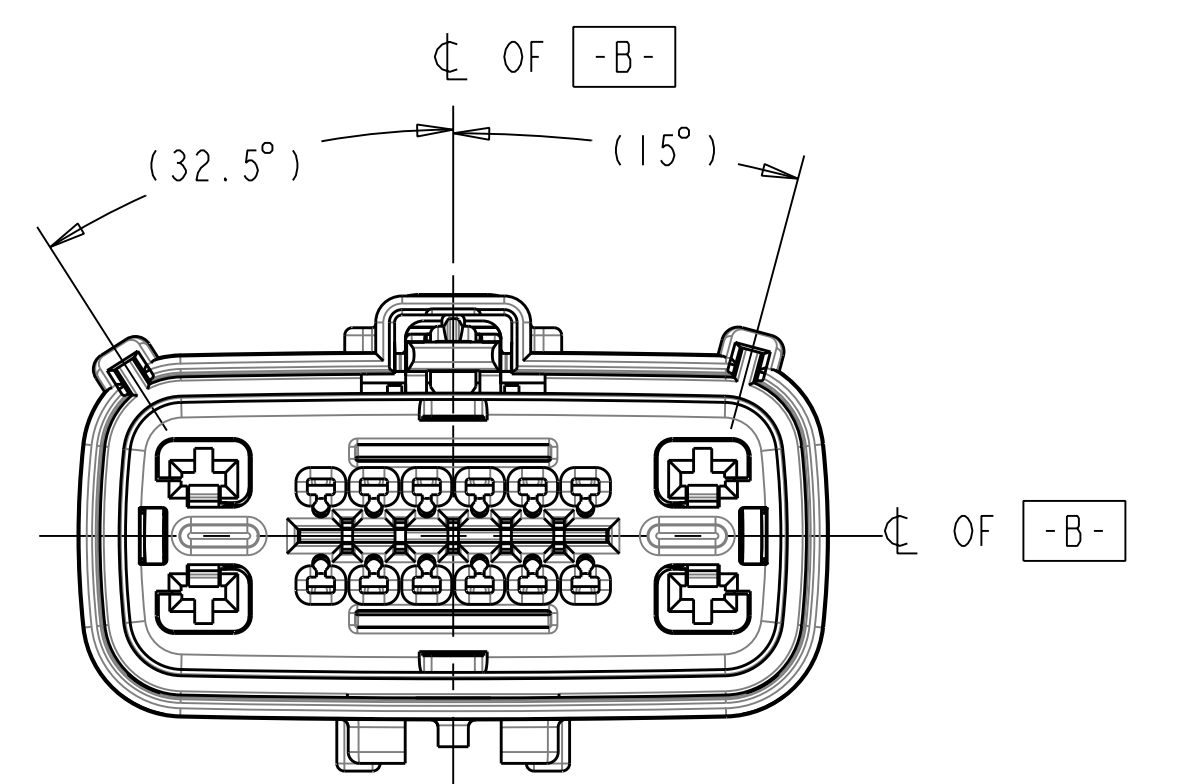
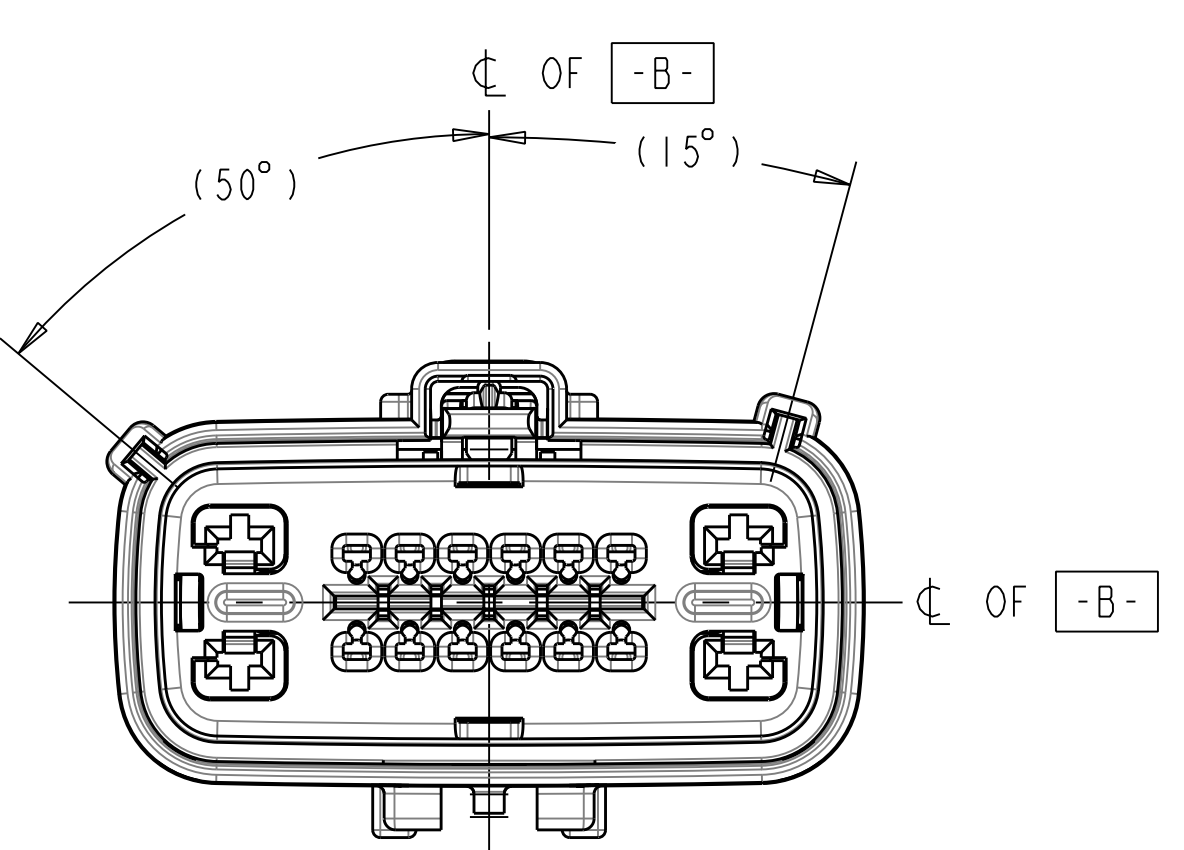
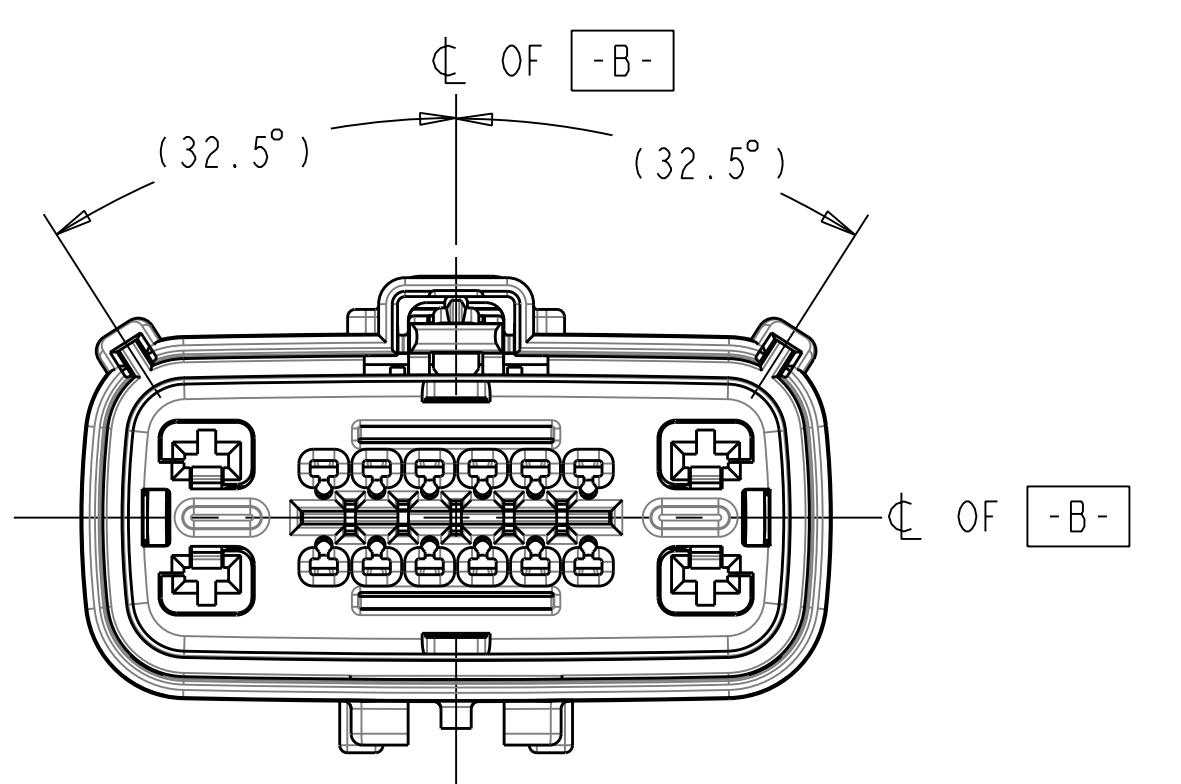
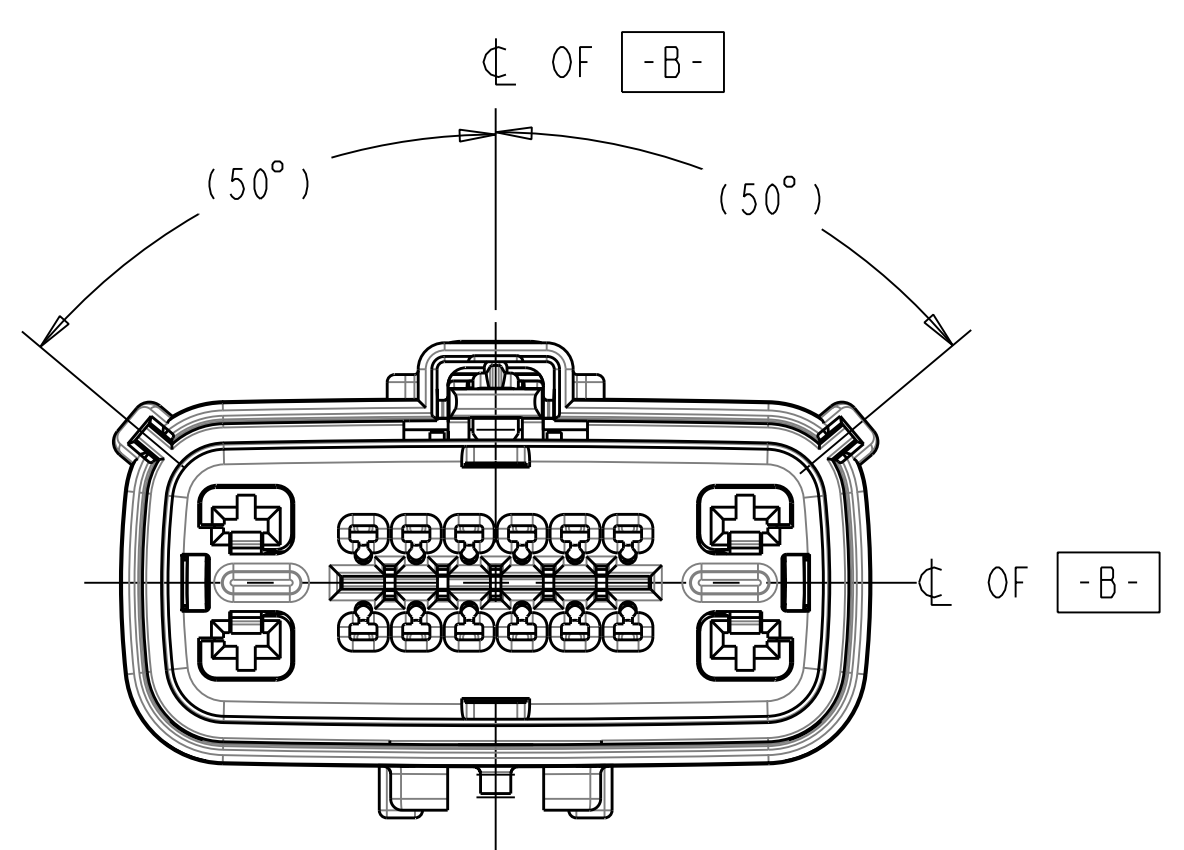
EC NO: UA02005-0053
DRWN: D.GRIFFITHS 08-11-04
CHK: D.GRIFFITHS 08-11-04
APPR: D.GRIFFITHS 08-11-04

QUALITY SYMBOLS	GENERAL TOLERANCES (UNLESS SPECIFIED)	
	mm	INCH
4 PLACES	± .10	± .004
3 PLACES	± .15	± .005
2 PLACES	± 0.10	± .004
1 PLACE	± 0.3	± .012
	ANGULAR ± 3°	

SCALE	DESIGN UNITS
2:1	mm

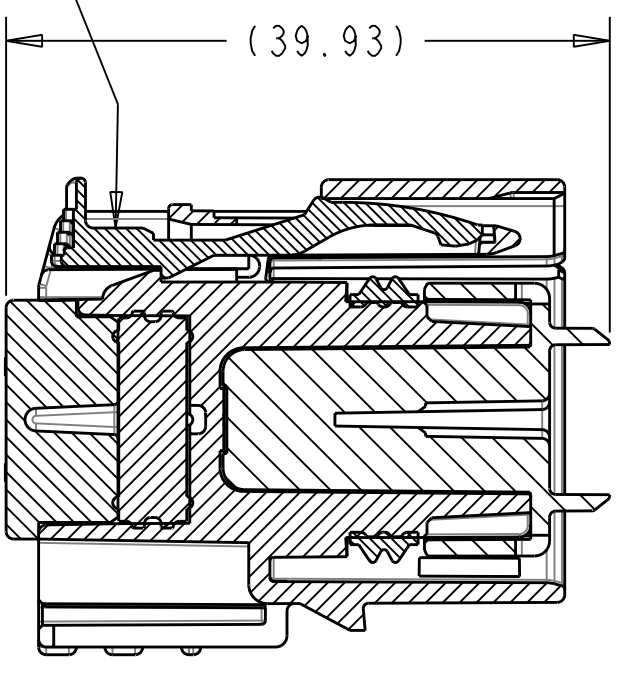
THIRD ANGLE PROJECTION		REVISE ON CAD ONLY	
TITLE			
1.5mm/2.8mm HYBRID CONNECTOR, RCPT 2 ROW HOUSING, SEALED, 16 WAY			
MOLEX MOLEX INCORPORATED			
MATERIAL NO.	DOCUMENT NO.	SHEET NO.	
-	SD-33476-161	1 OF 2	

THIS DRAWING CONTAINS INFORMATION THAT IS PROPRIETARY TO MOLEX INCORPORATED AND SHOULD NOT BE USED WITHOUT WRITTEN PERMISSION

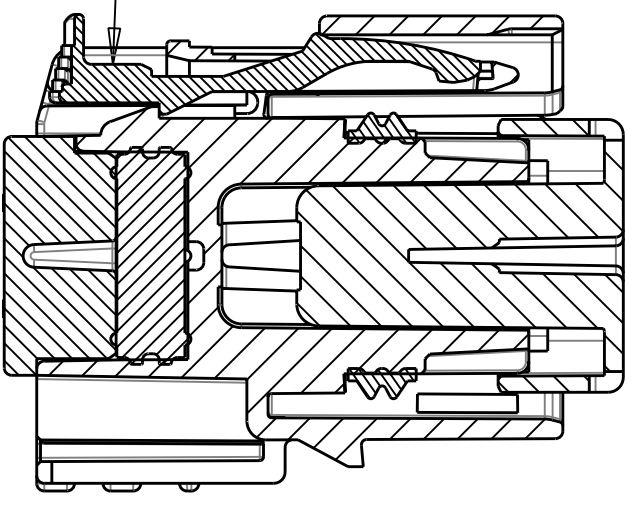


CPA TO BE INSTALLED IN PRE-LOCK POSITION AS SHOWN IN BOTH VIEWS, SEE NOTE #5

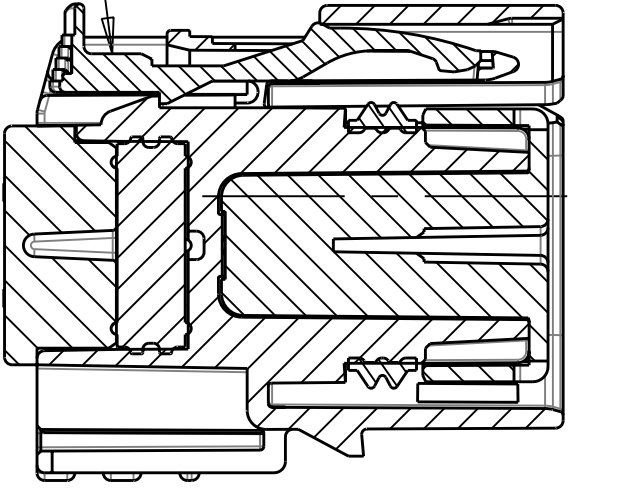
SECTION B-B
(RECEPTACLE INSERT WITH SHORTING BAR LIFTER SHOWN IN PRE-LOCK)
SEE NOTE #2



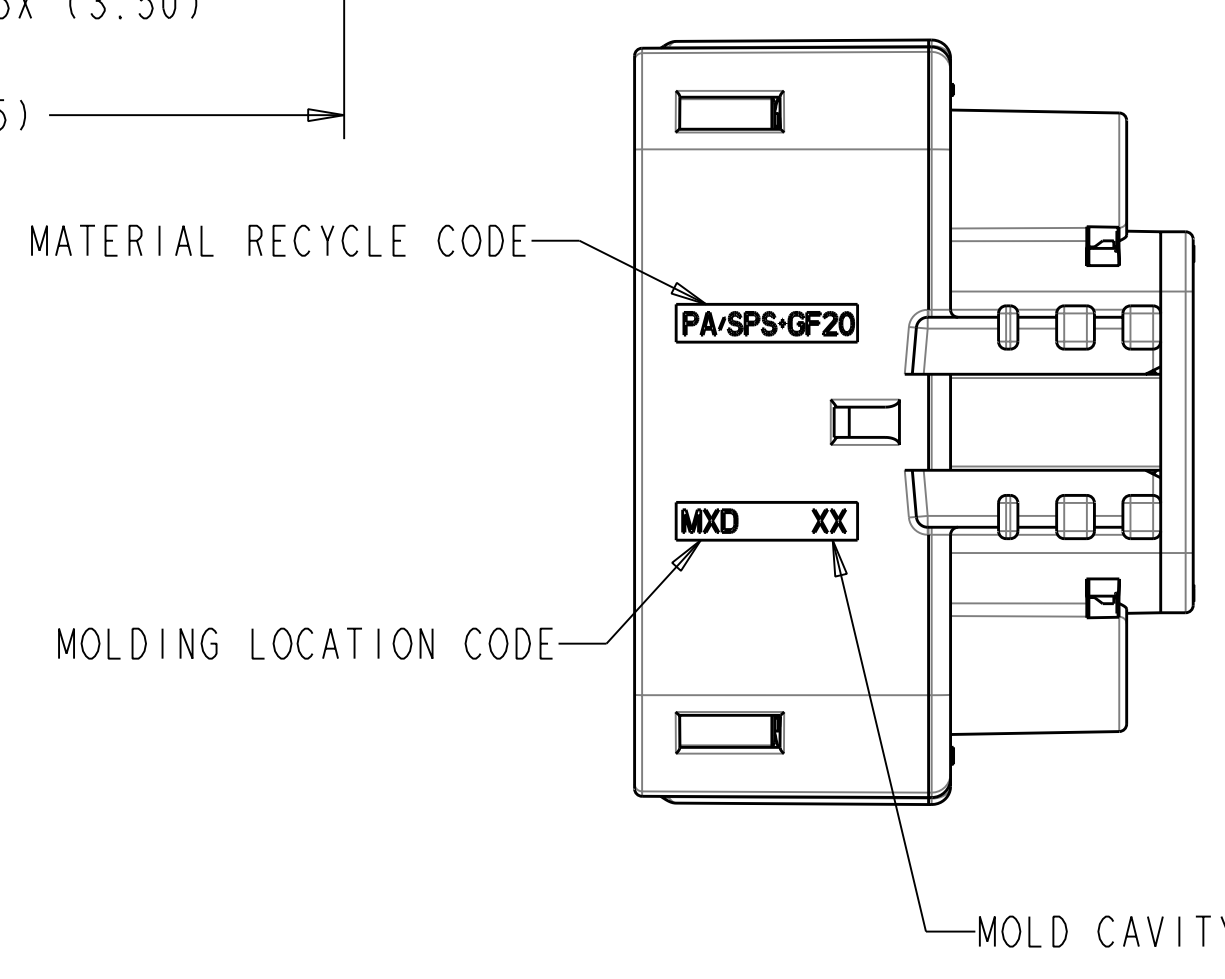
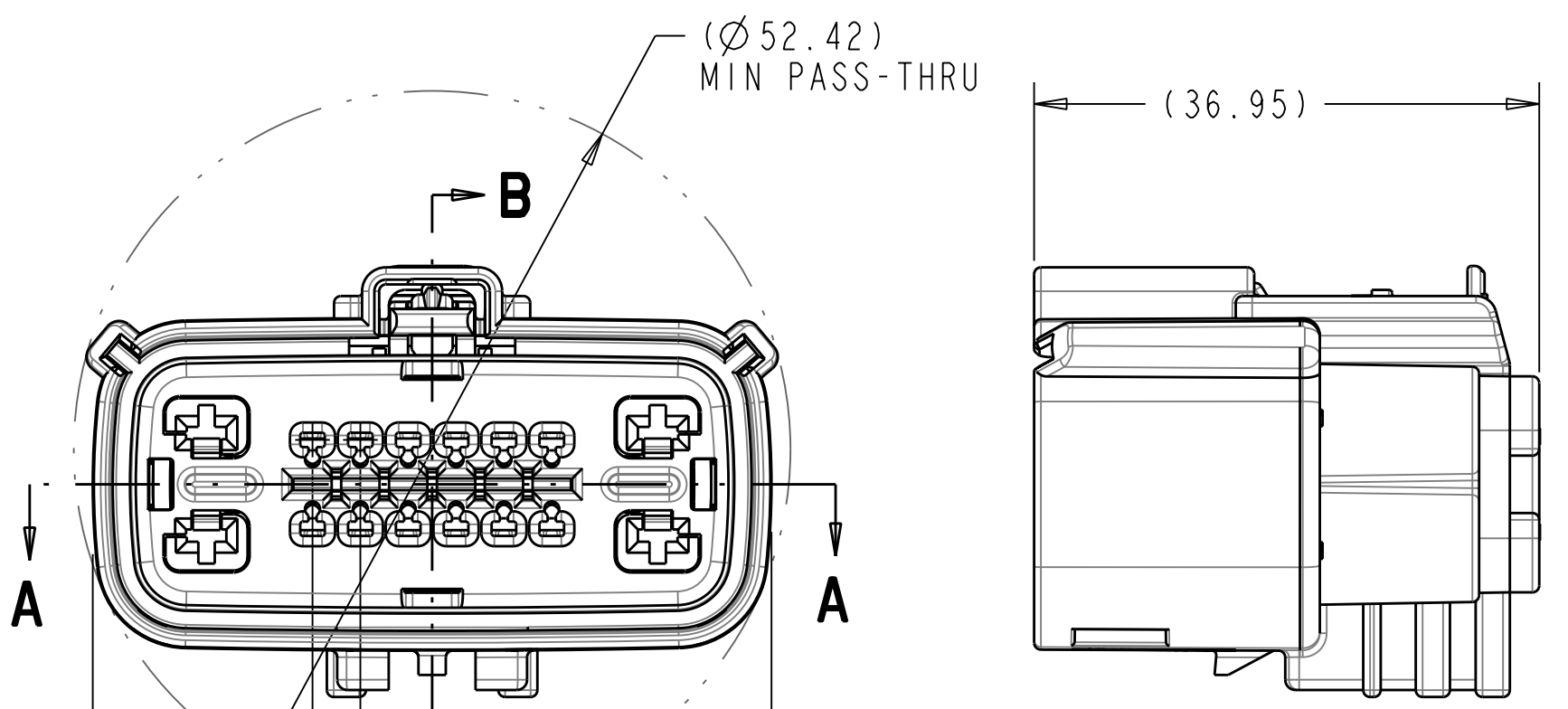
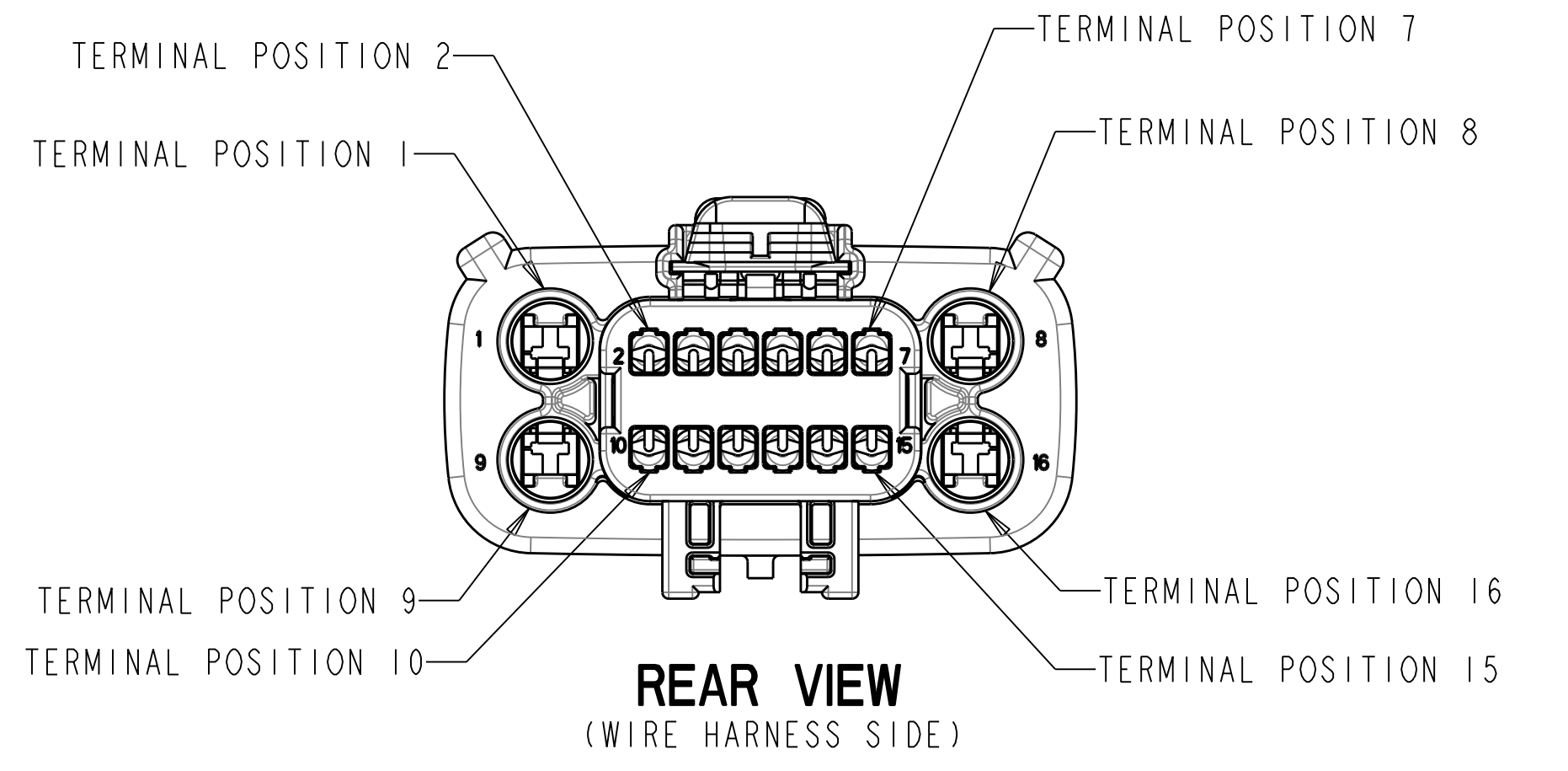
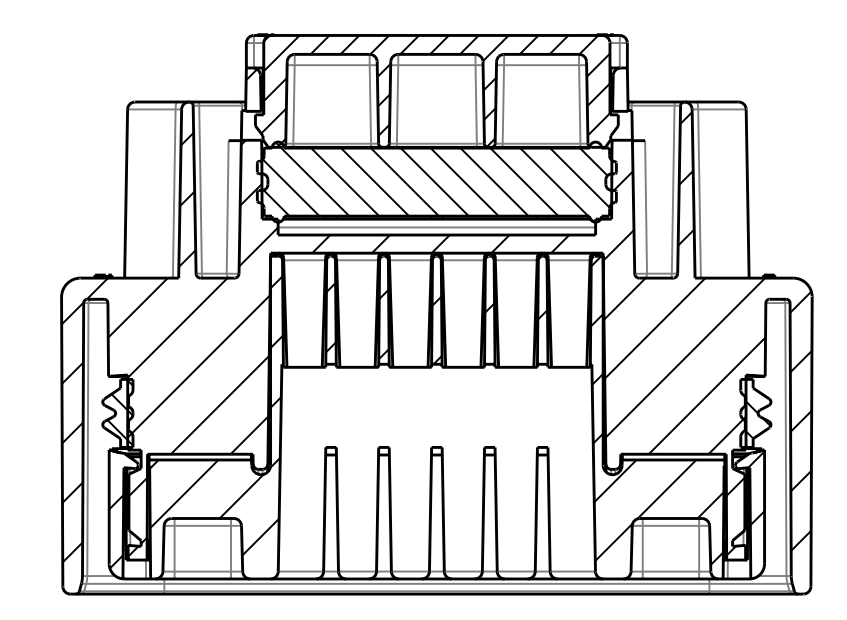
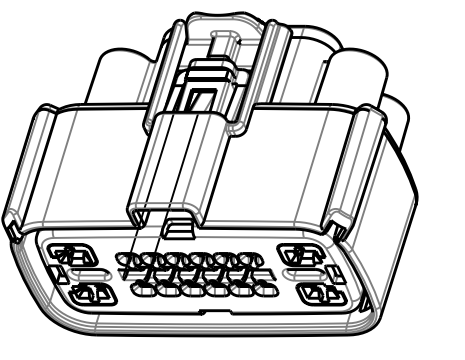
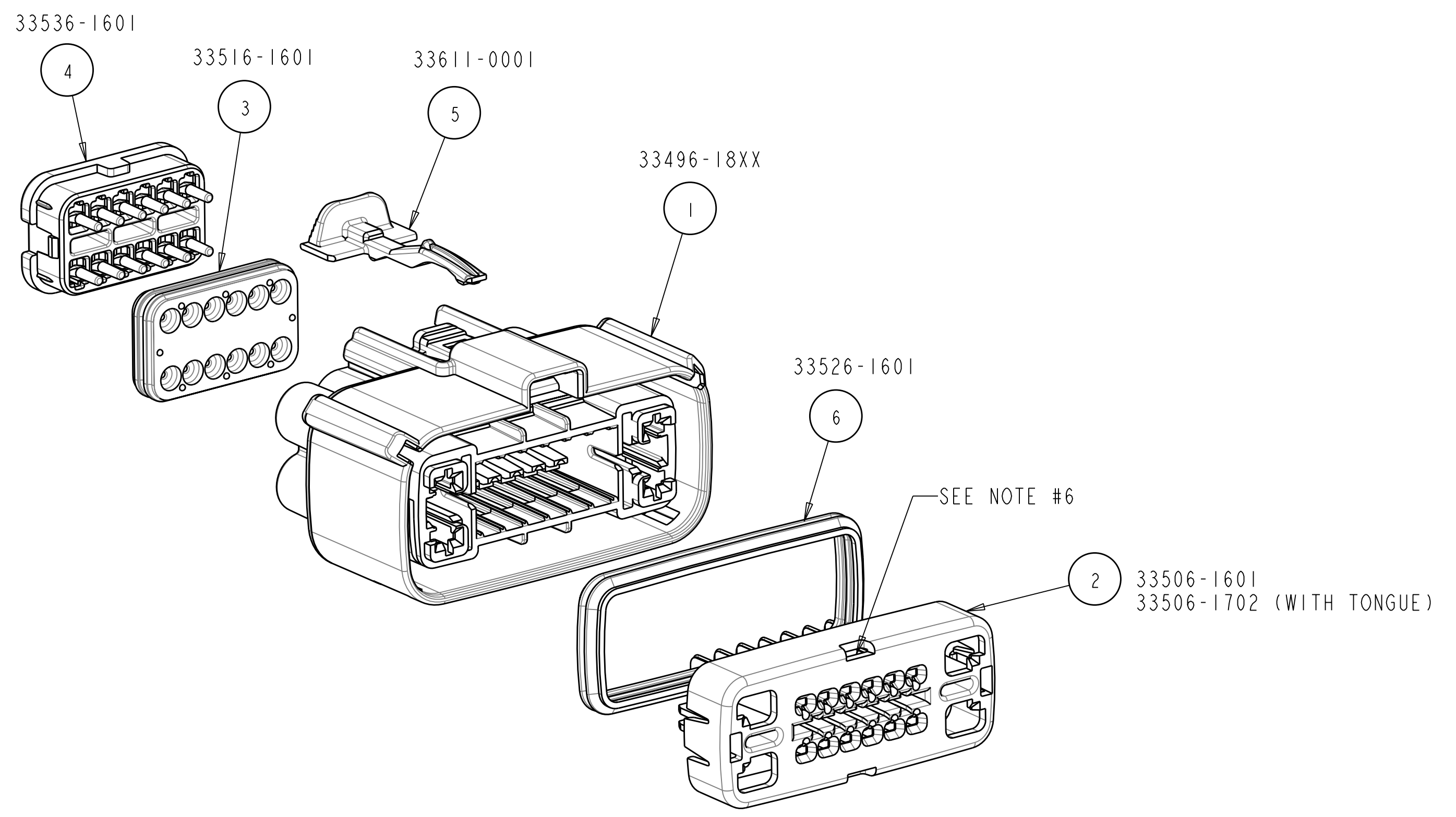
SECTION B-B
(RECEPTACLE INSERT WITH SHORTING BAR LIFTER SHOWN IN FULL-LOCK)
SEE NOTE #2



SECTION B-B
(RECEPTACLE INSERT SHOWN IN PRE-LOCK)
SEE NOTE #2



SECTION B-B
(RECEPTACLE INSERT SHOWN IN FULL-LOCK)
SEE NOTE #2



- NOTES: UNLESS OTHERWISE SPECIFIED
- DESIGNED TO MATE WITH BLADE HOUSING ASSEMBLY SPECIFIED IN CHARTED DRAWING E-33486-161 OR DEVICE CONNECTION AS SPECIFIED IN DRAWING E-33586-161. SEE CHART
 - ASSEMBLY SHIPPED WITH RECEPTACLE INSERT IN PRE-LOCK POSITION (SEE SECTION B-B PRE-LOCK). UPON FULL TERMINAL ASSEMBLY, EACH RECEPTACLE INSERT MUST BE SNAPPED INTO ITS FINAL-LOCK POSITION.
 - FOR 1.5mm RECEPTACLE TERMINALS TO BE USED WITH THIS ASSEMBLY, SEE MOLEX DRAWING E-33012-001. FOR FORD 2.8mm FEMALE RECEPTACLE SEE CHART.
 - SYSTEM TO BE USED WITH WIRE WITHIN Ø RANGE OF 1.2mm TO 2.4mm.
 - OPTIONAL CPA SHOWN IN ALL VIEWS. SEE TABLES FOR SPECIFIC ASSEMBLY OPTION AND NUMBER. CPA MUST BE INSERTED TO THE PRE-LOCK POSITION, AS SHOWN IN SECTION B-B. WHEN CORRECTLY SEATED THE CPA DOES NOT MOVE, FREELY.
 - SERVICE WITH SCREWDRIVER.
 - REFER TO TABLE ON SHEET 2 OF THIS DRAWING FOR ALL PART NUMBER CONFIGURATION OPTIONS.
 - REFER TO ASSEMBLY DRAWING E-33476-161 FOR RECEPTACLE WITHOUT CLIP SLOT OPTIONS.
 - 9a. ENGAGEMENT FORCE - NO TERMINALS (PRE TO FINAL): 15N MIN.
9b. ENGAGEMENT FORCE - WITH TERMINALS (PRE TO FINAL): 60N MAX.
9c. DISENGAGEMENT FORCE - WITH TERMINALS (FINAL TO PRE): 18N MIN, 60N MAX.
9d. PARTIALLY INSTALLED TERMINAL DETECTION - 80N MIN OR 40N GREATER THAN (b) WHICHEVER IS GREATER.
9e. REMOVAL FORCE - WITH TERMINALS (FINAL TO OUT OF CONNECTOR): 25N MIN.

TYCO 2.8mm CABLE SEAL TERMINAL	
FORD P/N	GRIP SIZE
IFIT-14474-RA	12
IFIT-14474-JA	14
IFIT-14474-HA	16
IFIT-14474-GA	18
IFIT-14474-FA	20
IFIT-14474-EA	22

EC NO: UAU2005-0053	DRWN: D.GRIFFITHS 08-11-04	CH'K: D.GRIFFITHS 08-11-04	APPR: D.GRIFFITHS 08-11-04
M	REV	DESCRIPTION	

QUALITY SYMBOLS	GENERAL TOLERANCES (UNLESS SPECIFIED)	
	mm	INCH
4 PLACES	± .10	± .004
3 PLACES	± .15	± .005
2 PLACES	± 0.30	± .012
1 PLACE	± 0.75	± .030
	ANGULAR ± 3°	

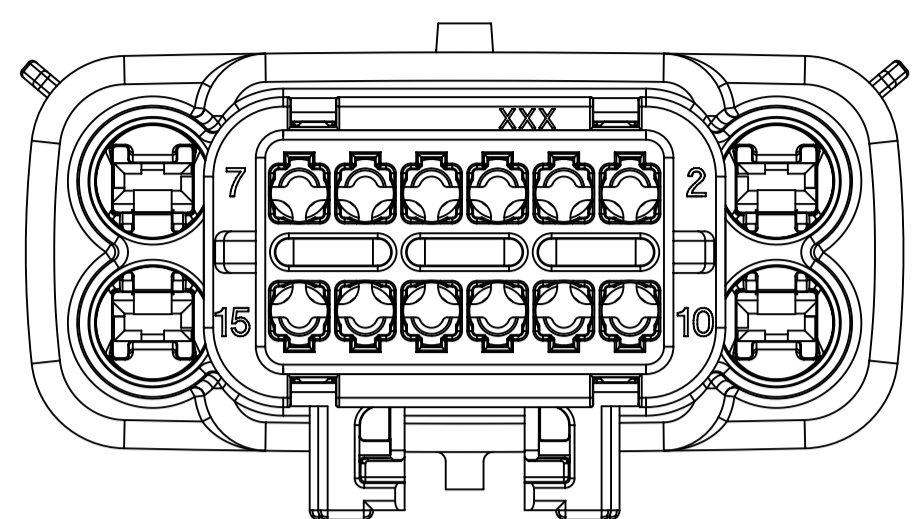
SCALE 2:1	DESIGN UNITS mm
DIMENSION STYLE mm	
DRAWN BY D.GRIFFITHS	DATE 05-21-03
CHECKED BY D.GRIFFITHS	DATE 05-21-03
APPROVED BY D.GRIFFITHS	DATE 05-21-03

THIRD ANGLE PROJECTION	REVISE ON CAD ONLY
TITLE 1.5mm/2.8mm HYBRID CONNECTOR, RCPT 2 ROW HOUSING w/ CLIP SLOT SEALED, 16 WAY	
MOLEX MOLEX INCORPORATED	
MATERIAL NO. -	DOCUMENT NO. SD-33476-181
SHEET NO. 1 OF 2	

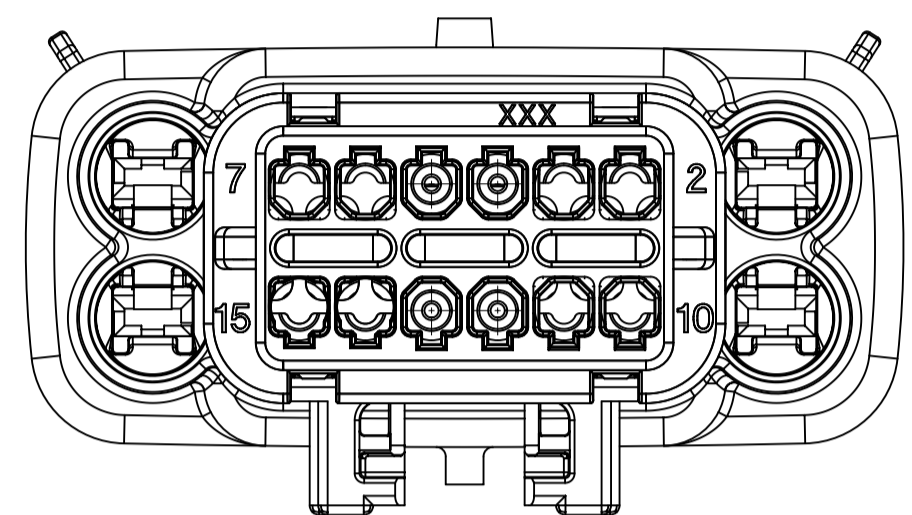
THIS DRAWING CONTAINS INFORMATION THAT IS PROPRIETARY TO MOLEX INCORPORATED AND SHOULD NOT BE USED WITHOUT WRITTEN PERMISSION

SHEET DESCRIPTION

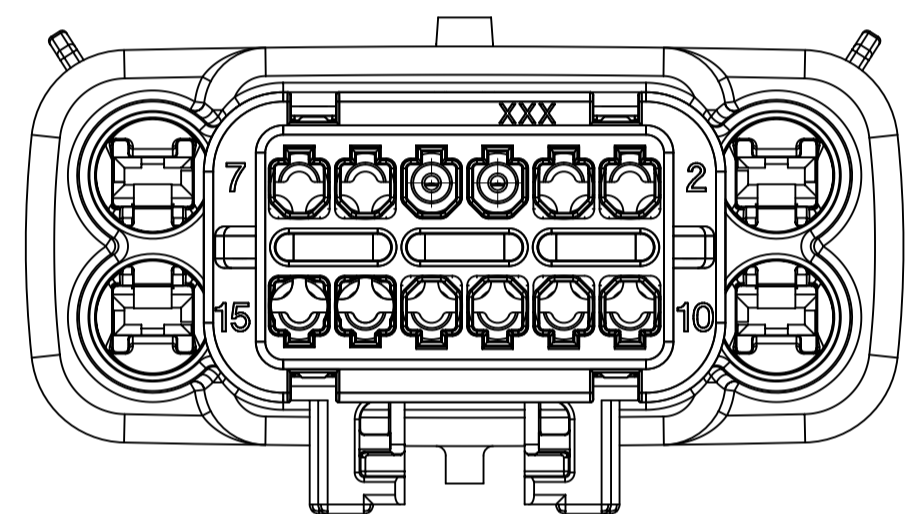
CONFIGURATIONS



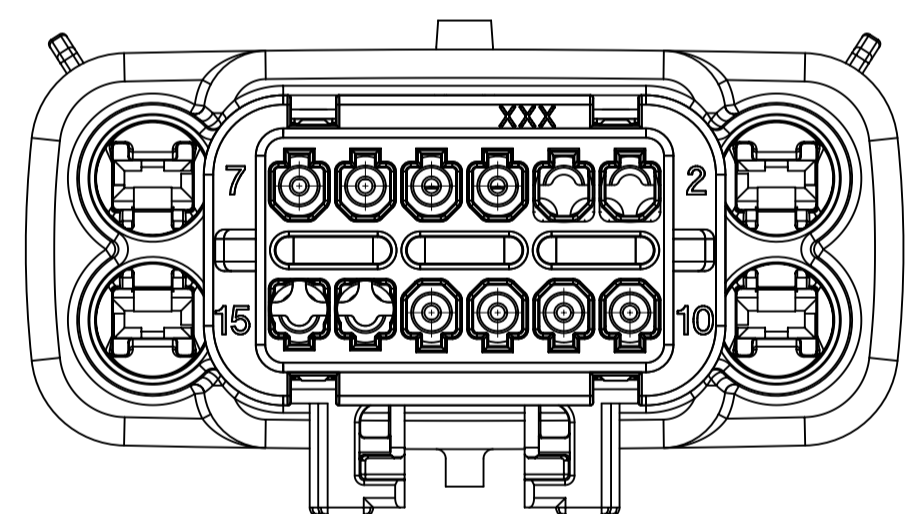
STANDARD GROMMET CAP



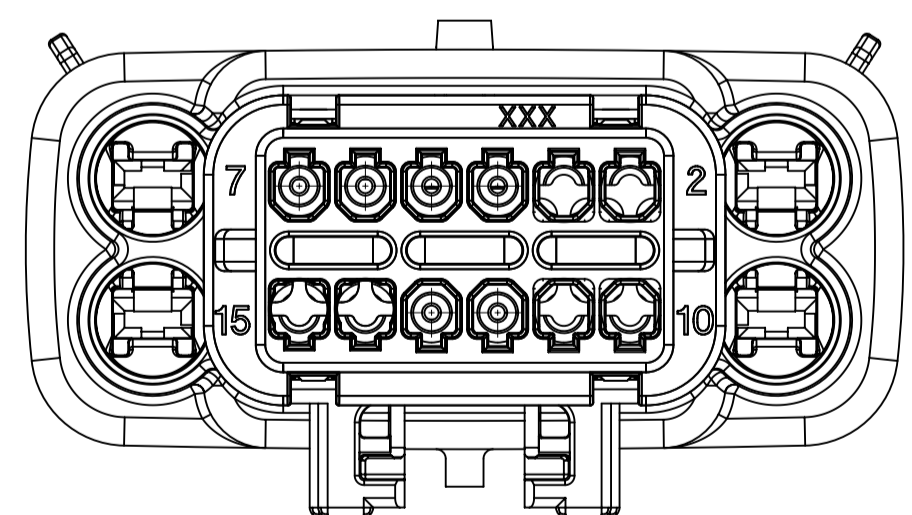
SHORTING BAR GROMMET CAP 1



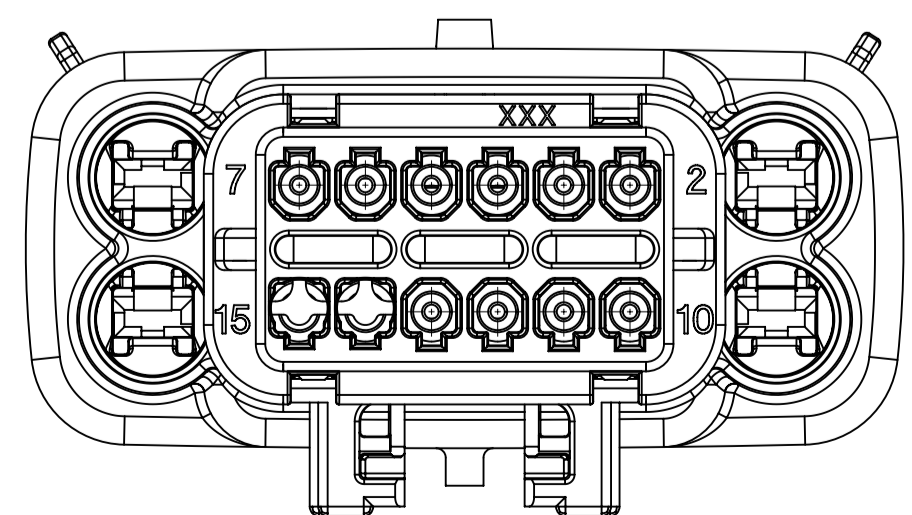
SHORTING BAR GROMMET CAP 2



SHORTING BAR GROMMET CAP 3



SHORTING BAR GROMMET CAP 4

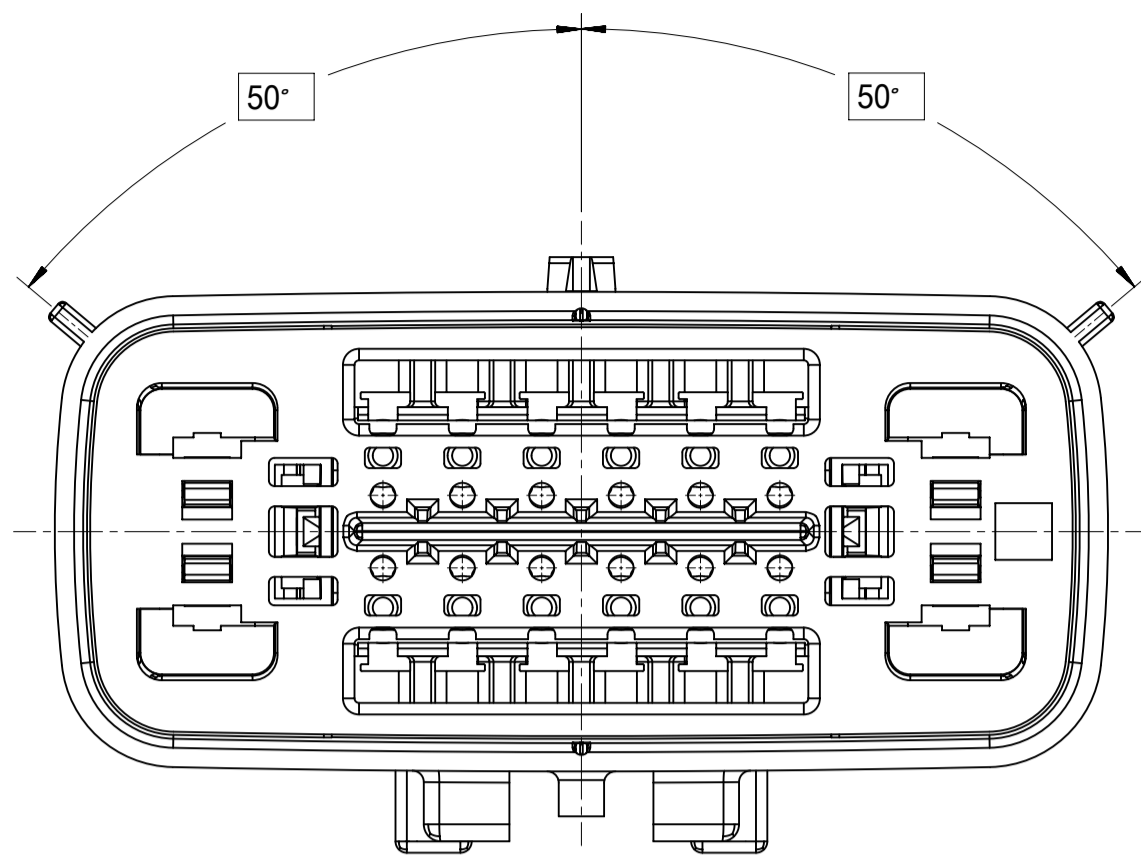


SHORTING BAR GROMMET CAP 5

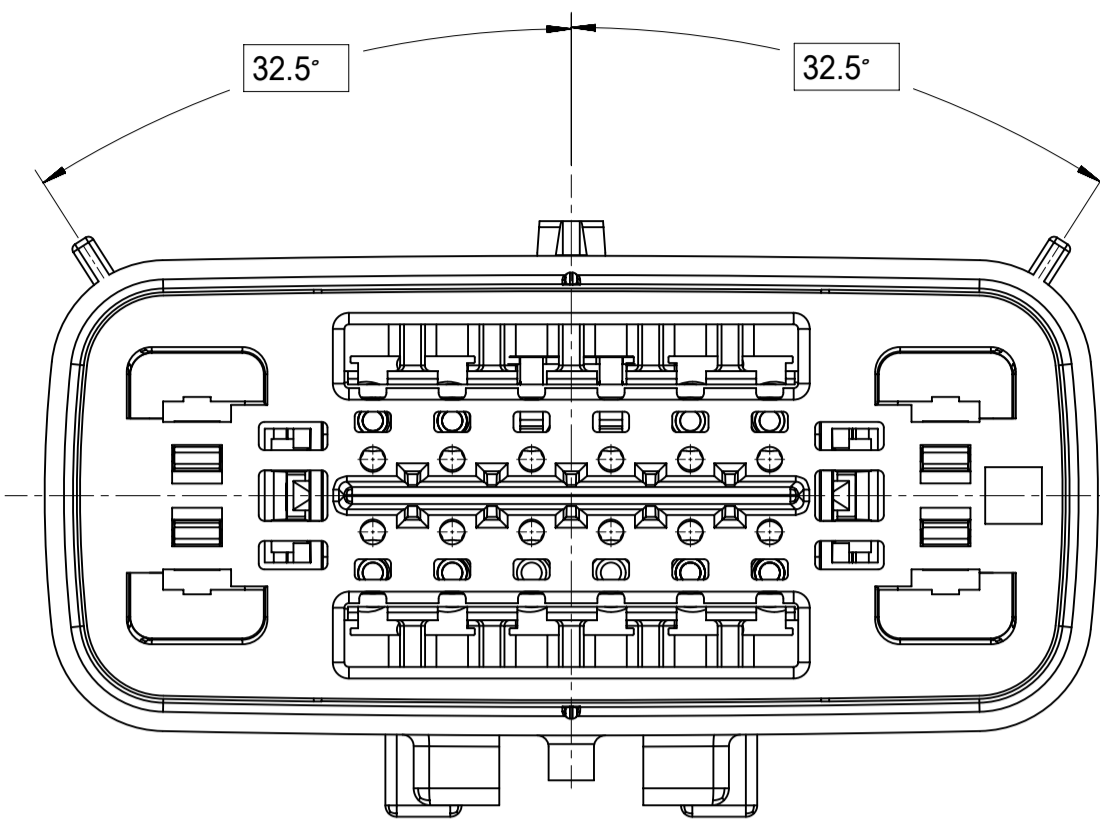
SYMBOLS	THIS DRAWING CONTAINS INFORMATION THAT IS PROPRIETARY TO MOLEX ELECTRONIC TECHNOLOGIES, LLC AND SHOULD NOT BE USED WITHOUT WRITTEN PERMISSION		CURRENT REV DESC:				
	DIMENSION UNITS	SCALE					
▽ = 0	mm	2.5:1	GENERAL TOLERANCES (UNLESS SPECIFIED)		CHK'D: MVANSLAMBROU	2018/06/12	PRODUCT CUSTOMER DRAWING
▽ = 0	ANGULAR TOL ± 3.0°		4 PLACES ±		APPR: MVANSLAMBROU	2018/06/12	
▽ = 0	3 PLACES ±		2 PLACES ± 0.1		INITIAL REVISION:		DOCUMENT NUMBER
▽ = 0	2 PLACES ± 0.3		1 PLACE ± 0.3		DRWN: APROFFITT	2013/05/06	SD-34986-8001
▽ = 0	0 PLACES ±		DRAFT WHERE APPLICABLE MUST REMAIN WITHIN DIMENSIONS		APPR: VKOSHY	2013/05/16	PSD 001 C1
⊕	THIRD ANGLE PROJECTION	DRAWING	SERIES	MATERIAL NUMBER	CUSTOMER	SHEET NUMBER	
		A1-SIZE	34986		GENERAL MARKET	2 OF 5	

SHEET DESCRIPTION

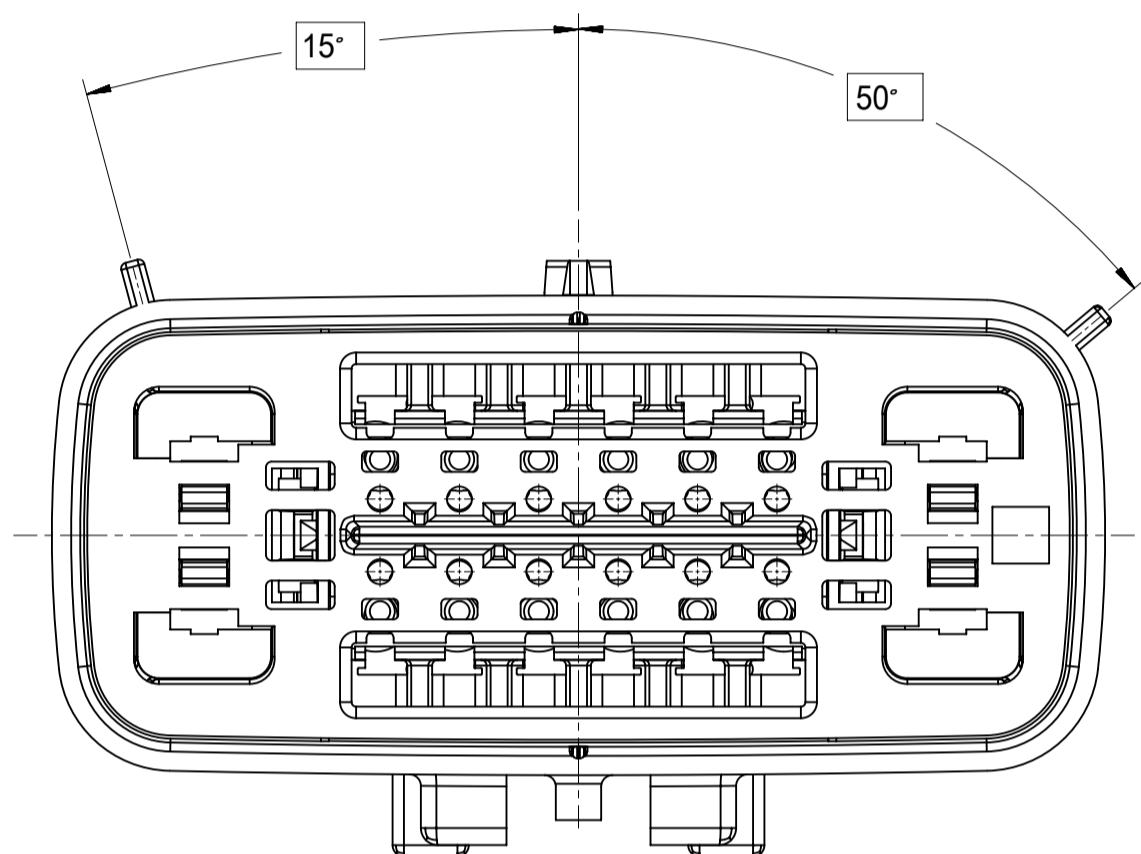
KEY CONFIGURATIONS



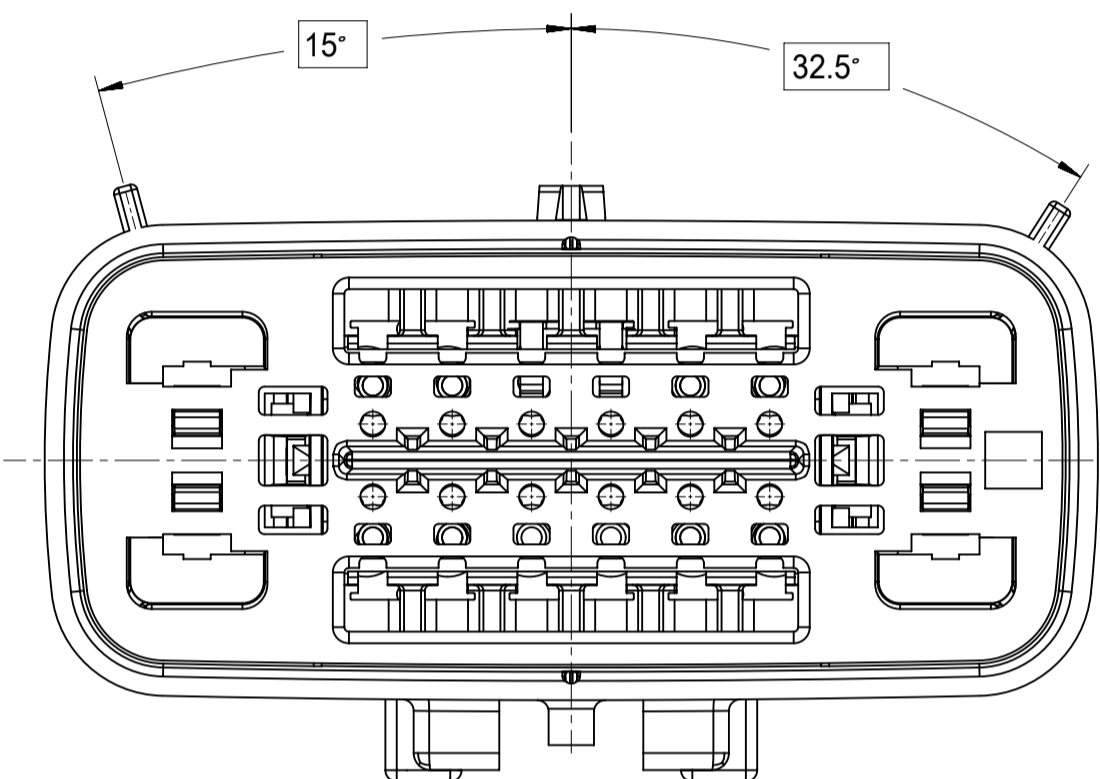
KEY A



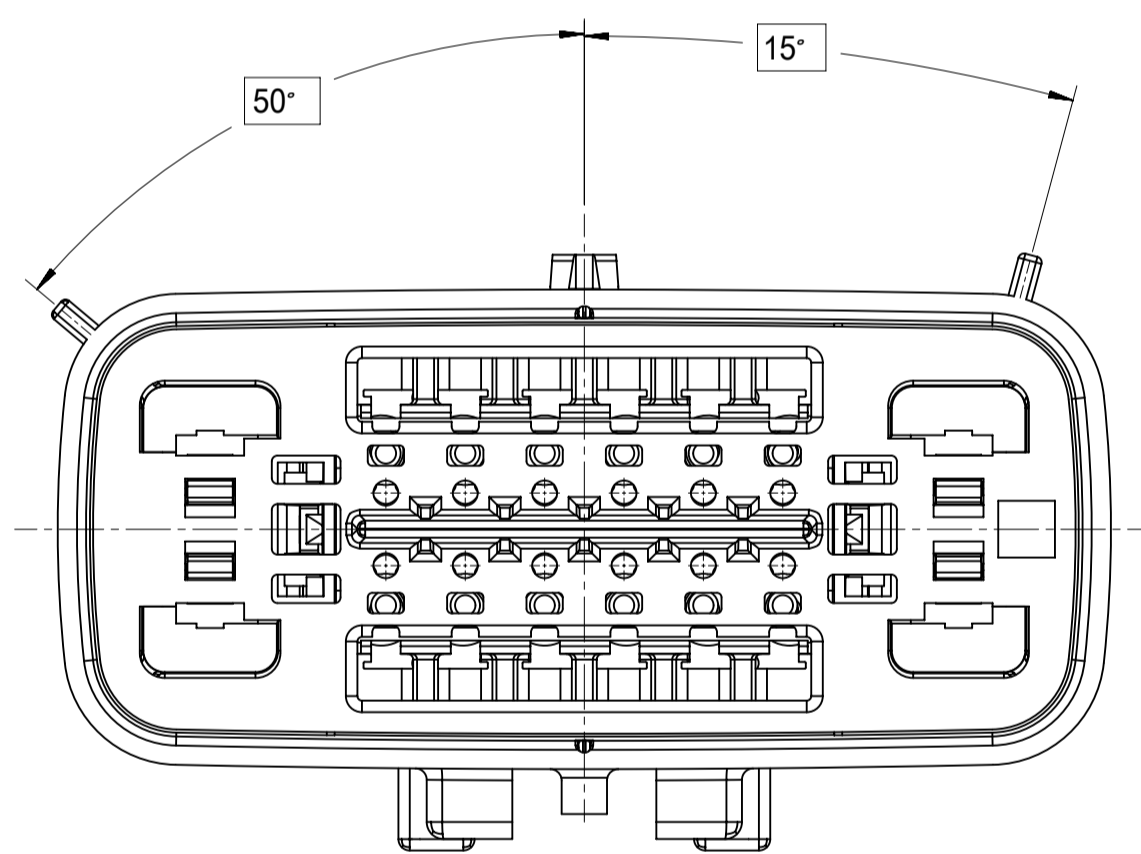
KEY E



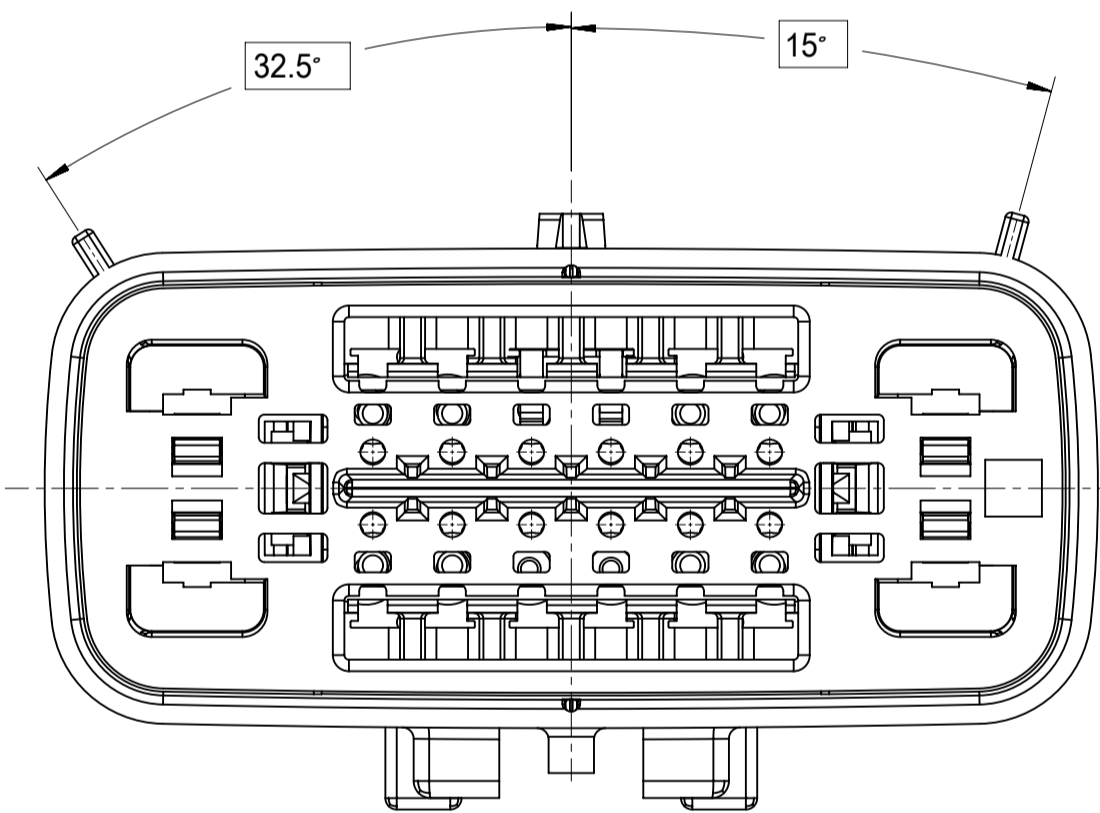
KEY B



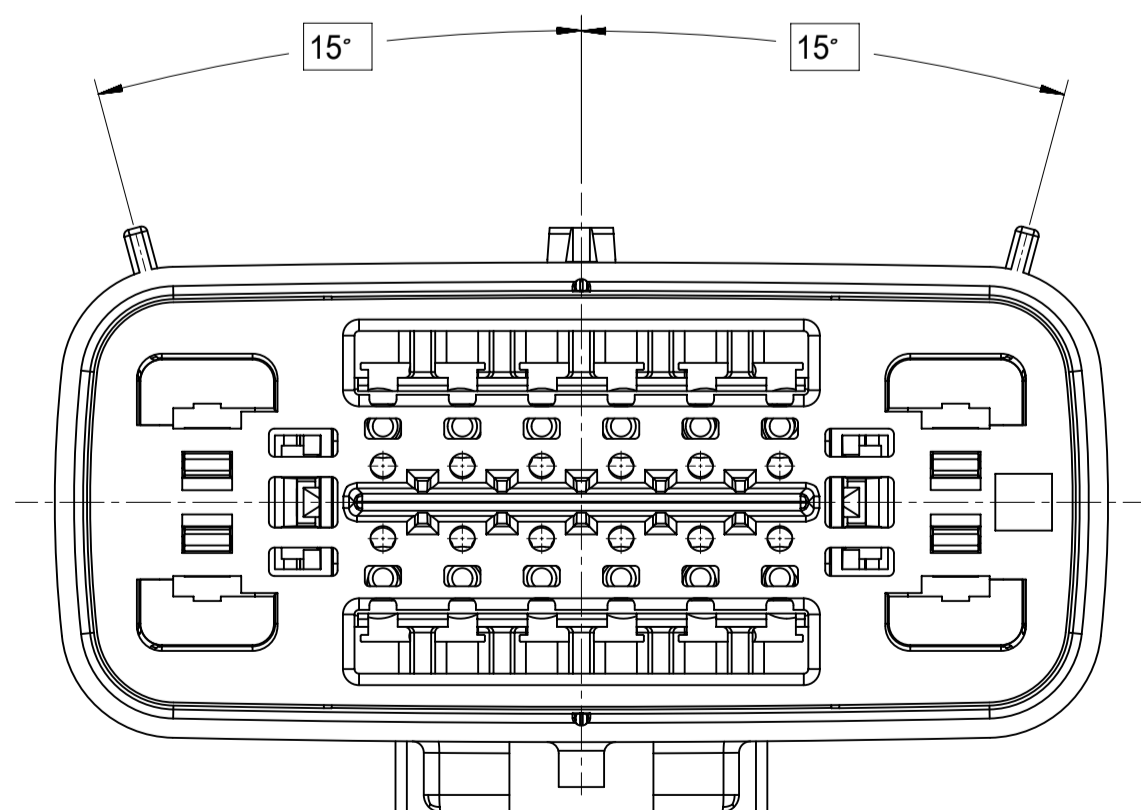
KEY F



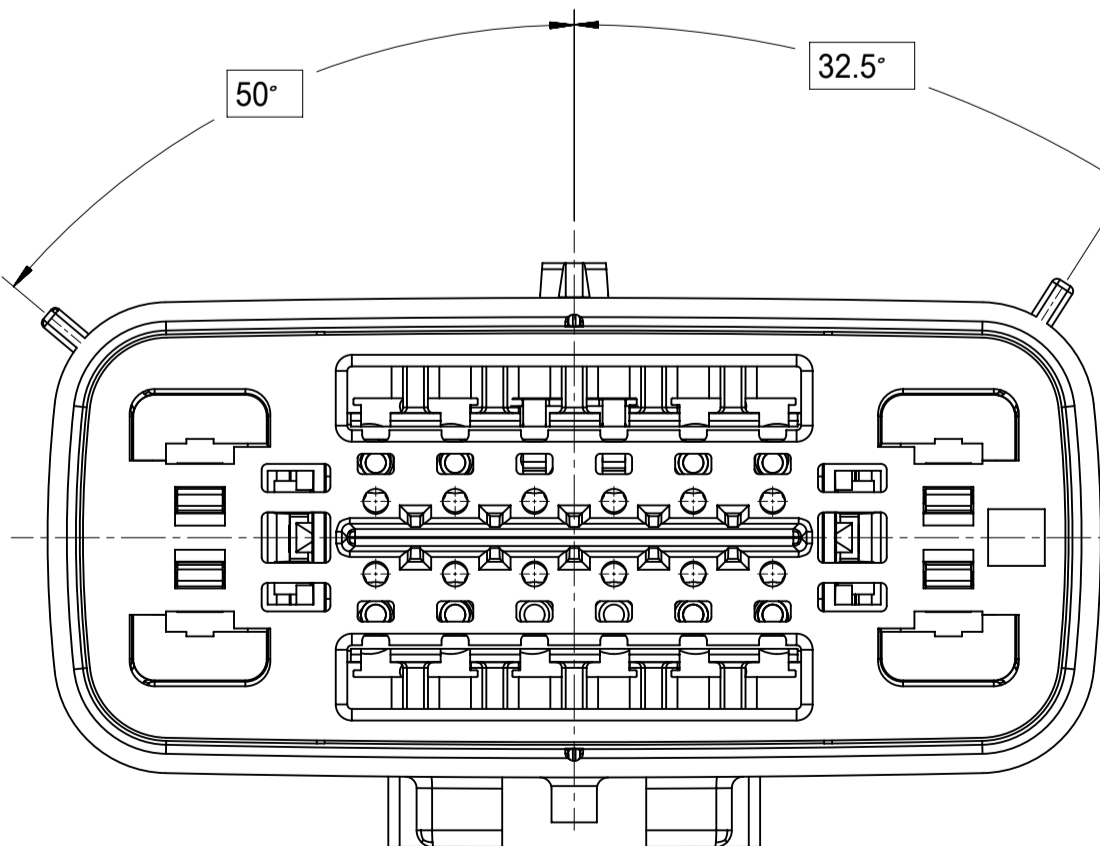
KEY C



KEY G



KEY D

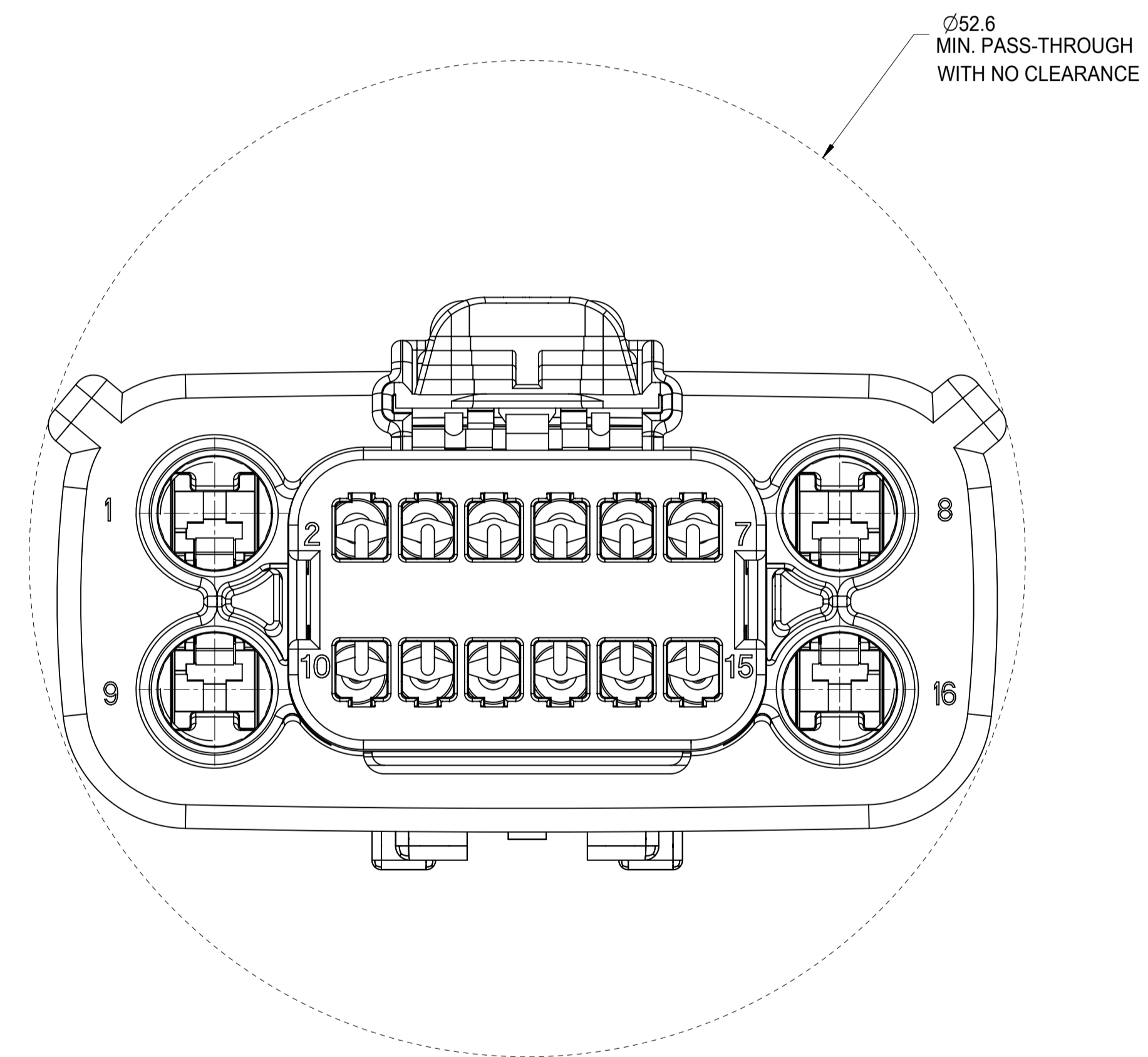
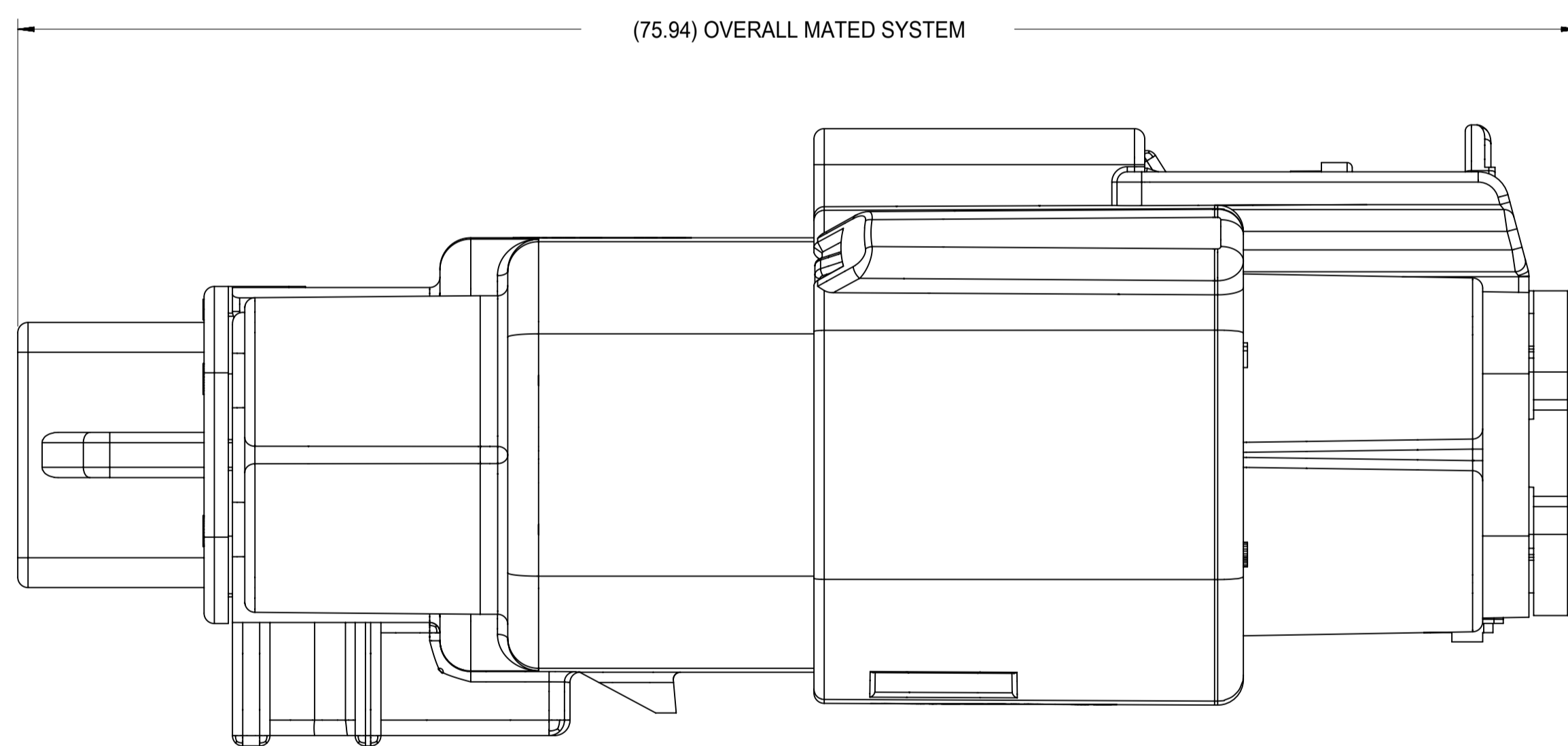


KEY H

SYMBOLS	THIS DRAWING CONTAINS INFORMATION THAT IS PROPRIETARY TO MOLEX ELECTRONIC TECHNOLOGIES, LLC AND SHOULD NOT BE USED WITHOUT WRITTEN PERMISSION		CURRENT REV DESC:		
	DIMENSION UNITS	SCALE			
= 0	mm	3:1			MX150 16 WAY HYBRID BLADE SEALED ASSEMBLY
= 0	GENERAL TOLERANCES (UNLESS SPECIFIED)				
= 0	ANGULAR TOL	± 3.0°	EC NO: 177763		PRODUCT CUSTOMER DRAWING
= 0	4 PLACES	±	DRWN: LSONG05 2018/05/30		
= 0	3 PLACES	±	CHK'D: MVANSLAMBROU 2018/06/12		DOCUMENT NUMBER: SD-34986-8001 DOC TYPE: PSD DOC PART: 001 REVISION: C1
= 0	2 PLACES	± 0.1	APPR: MVANSLAMBROU 2018/06/12		
= 0	1 PLACE	± 0.3	INITIAL REVISION:		
= 0	0 PLACES	±	DRWN: APROFFITT 2013/05/06		
= 0	DRAFT WHERE APPLICABLE MUST REMAIN WITHIN DIMENSIONS		THIRD ANGLE PROJECTION	DRAWING	MATERIAL NUMBER: 34986 CUSTOMER: GENERAL MARKET SHEET NUMBER: 3 OF 5
= 0				A1-SIZE	

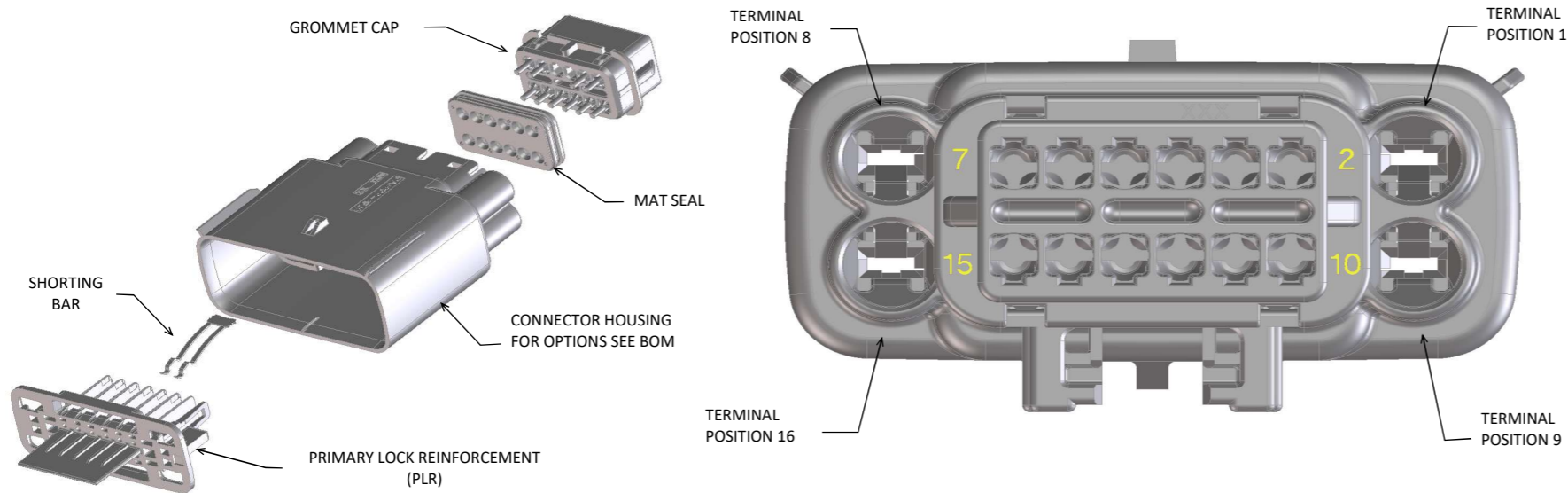
SHEET DESCRIPTION

SYSTEM PACKAGING



SYMBOLS	THIS DRAWING CONTAINS INFORMATION THAT IS PROPRIETARY TO MOLEX ELECTRONIC TECHNOLOGIES, LLC AND SHOULD NOT BE USED WITHOUT WRITTEN PERMISSION		CURRENT REV DESC:		molex			
▽ = 0	DIMENSION UNITS	SCALE	EC NO: 177763 DRWN: LSONG05 2018/05/30 CHK'D: MVANSLAMBROU 2018/06/12 APPR: MVANSLAMBROU 2018/06/12		MX150 16 WAY HYBRID BLADE SEALED ASSEMBLY			
▽ = 0	mm	3:1						
▽ = 0	GENERAL TOLERANCES (UNLESS SPECIFIED)				PRODUCT CUSTOMER DRAWING			
▽ = 0	ANGULAR TOL ± 3.0°							
▽ = 0	4 PLACES	±	INITIAL REVISION: DRWN: APROFFITT 2013/05/06 APPR: VKOSHY 2013/05/16		DOCUMENT NUMBER	DOC TYPE	DOC PART	REVISION
▽ = 0	3 PLACES	±			SD-34986-8001	PSD	001	C1
▽ = 0	2 PLACES	± 0.1			MATERIAL NUMBER	CUSTOMER		SHEET NUMBER
▽ = 0	1 PLACE	± 0.3				GENERAL MARKET		5 OF 5
▽ = 0	0 PLACES	±	DRAFT WHERE APPLICABLE MUST REMAIN WITHIN DIMENSIONS		THIRD ANGLE PROJECTION		DRAWING	SERIES
▽ = 0	DRAFT WHERE APPLICABLE MUST REMAIN WITHIN DIMENSIONS				A1-SIZE		34986	

MX150 16 WAY HYBRID BLADE SEALED ASSEMBLY MAT SEAL (2.8mm CAVITIES OPEN)
BOM AND PIN OUT SHEET



ABBREVIATION	DESCRIPTION	COLOR	MATERIAL
A-BLK	HOUSING, KEYING OPTION A	BLACK	SPS/NYLON GF20
B-LG	HOUSING, KEYING OPTION B	LIGHT GRAY	SPS/NYLON GF20
C-BR	HOUSING, KEYING OPTION C	BROWN	SPS/NYLON GF20
D-GR	HOUSING, KEYING OPTION D	GREEN	SPS/NYLON GF20
A-YW	HOUSING, KEYING OPTION A	YELLOW	SPS/NYLON GF20
C-DG	HOUSING, KEYING OPTION C	DARK GRAY	SPS/NYLON GF20
D-SG	HOUSING, KEYING OPTION D	STONE GRAY	SPS/NYLON GF20
E-BLK	HOUSING, KEYING OPTION E	BLACK	SPS/NYLON GF20
F-LG	HOUSING, KEYING OPTION F*	LIGHT GRAY	SPS/NYLON GF20
G-BR	HOUSING, KEYING OPTION G	BROWN	SPS/NYLON GF20
H-YW	HOUSING, KEYING OPTION H	YELLOW	SPS/NYLON GF20
GC-S	STANDARD GROMMET CAP	BLACK	SPS/NYLON GF20
GC-SB1	SHORTING BAR GROMMET CAP 1	BLACK	SPS/NYLON GF20
GC-SB2	SHORTING BAR GROMMET CAP 2	BLACK	SPS/NYLON GF20
GC-SB3	SHORTING BAR GROMMET CAP 3	BLACK	SPS/NYLON GF20
GC-SB4	SHORTING BAR GROMMET CAP 4	BLACK	SPS/NYLON GF20
GC-SB5	SHORTING BAR GROMMET CAP 5	BLACK	SPS/NYLON GF20
GC-SB6	SHORTING BAR GROMMET CAP 6	BLACK	SPS/NYLON GF20
SB	SHORTING BAR	GOLD PL	30100 STAINLESS STEEL
PLR	PLR	NATURAL	SPS/NYLON GF20
M	MAT SEAL	RUST RED	INHERENTLY LUBRICATED SILICONE

CLIPSLOT TYPE "A" STANDARD FOR ALL KEYING OPTIONS
*CLIPSLOT TYPE "B" OPTIONAL

FOR ADDITIONAL INFORMATION SEE SD-34986-8001

ASSEMBLY DESCRIPTION	ASSEMBLY PART NUMBER	COMPONENT					BLOCKED TERMINALS																STATUS	COMMENTS	OPTIONAL ATTACHMENTS SOLD SEPERATELY						
		THE PRESENCE OF AN ABBREVIATION INDICATES THE PRESENCE OF THAT COMPONENT.					CAVITY WITH A NUMBER INDICATES BLOCKED TERMINAL POSITION CAVITY WITHOUT A NUMBER INDICATES OPEN TERMINAL POSITION																		BACKSHELL WITH RIBS	BACKSHELL WITHOUT RIBS					
		HOUSING KEY/COLOR	GROMMET CAP	PLR	MAT SEAL	SB QTY	1	2	3	4	5	6	7	8	9	10	11	12	13	14	15	16									
KEY A, BLACK	34986-1601	A-BLK	GC-S	PLR	M																						SALEABLE		349531610	NOT AVAILABLE	
KEY B, LIGHT GRAY	34986-1602	B-LG	GC-S	PLR	M																						SALEABLE		349531610	NOT AVAILABLE	
KEY C, BROWN	34986-1603	C-BR	GC-S	PLR	M																						NOT RECOMMENDED	SEE 34986-1959	349531610	NOT AVAILABLE	
KEY D, GREEN	34986-1604	D-GR	GC-S	PLR	M																						NOT RECOMMENDED	SEE 34986-1960	349531610	NOT AVAILABLE	
KEY A, YELLOW	34986-1605	A-YW	GC-S	PLR	M																						SALEABLE		349531610	NOT AVAILABLE	
KEY A, BLACK	34986-1606	A-BLK	GC-S	PLR	M																						SALEABLE		349531610	NOT AVAILABLE	
KEY B, LIGHT GRAY	34986-1607	B-LG	GC-S	PLR	M																						SALEABLE		349531610	NOT AVAILABLE	
KEY C, BROWN	34986-1608	C-BR	GC-S	PLR	M																						NOT RECOMMENDED		349531610	NOT AVAILABLE	
KEY D, GREEN	34986-1609	D-GR	GC-S	PLR	M																						NOT RECOMMENDED		349531610	NOT AVAILABLE	
KEY A, YELLOW	34986-1610	A-YW	GC-S	PLR	M																				14		SALEABLE		349531610	NOT AVAILABLE	
KEY A, BLACK	34986-1611	A-BLK	GC-S	PLR	M																					15		SALEABLE		349531610	NOT AVAILABLE
KEY B, LIGHT GRAY	34986-1612	B-LG	GC-S	PLR	M																					15		SALEABLE		349531610	NOT AVAILABLE
KEY C, BROWN	34986-1613	C-BR	GC-S	PLR	M																					15		NOT RECOMMENDED		349531610	NOT AVAILABLE
KEY D, GREEN	34986-1614	D-GR	GC-S	PLR	M																					15		NOT RECOMMENDED		349531610	NOT AVAILABLE
KEY A, YELLOW	34986-1615	A-YW	GC-S	PLR	M																						SALEABLE		349531610	NOT AVAILABLE	
KEY A, BLACK	34986-1621	A-BLK	GC-S	PLR	M																							SALEABLE		349531610	NOT AVAILABLE
KEY A, BLACK	34986-1626	A-BLK	GC-S	PLR	M																							SALEABLE		349531610	NOT AVAILABLE
KEY A, BLACK	34986-1631	A-BLK	GC-S	PLR	M																							SALEABLE		349531610	NOT AVAILABLE
KEY A, BLACK	34986-1636	A-BLK	GC-S	PLR	M																							SALEABLE		349531610	NOT AVAILABLE
KEY A, BLACK	34986-1641	A-BLK	GC-S	PLR	M																							SALEABLE		349531610	NOT AVAILABLE
KEY A, BLACK	34986-1646	A-BLK	GC-S	PLR	M																							SALEABLE		349531610	NOT AVAILABLE
KEY A, BLACK	34986-1651	A-BLK	GC-S	PLR	M																							SALEABLE		349531610	NOT AVAILABLE
KEY A, BLACK	34986-1656	A-BLK	GC-S	PLR	M																							SALEABLE		349531610	NOT AVAILABLE
KEY A, BLACK	34986-1661	A-BLK	GC-S	PLR	M																							SALEABLE		349531610	NOT AVAILABLE
KEY A, BLACK	34986-1666	A-BLK	GC-S	PLR	M																							SALEABLE		349531610	NOT AVAILABLE
KEY A, BLACK	34986-1671	A-BLK	GC-S	PLR	M																							SALEABLE		349531610	NOT AVAILABLE
KEY A, BLACK	34986-1672	A-BLK	GC-S	PLR	M																							SALEABLE		349531610	NOT AVAILABLE
KEY E, BLACK, WITH S.B.	34986-1701	E-BLK	GC-SB1	PLR	M	2																						SALEABLE		349531610	NOT AVAILABLE
KEY F, LIGHT GRAY, WITH S.B.	34986-1702	F-LG	GC-SB1	PLR	M	2																						SALEABLE		349531610	NOT AVAILABLE
KEY G, BROWN, WITH S.B.	34986-1703	G-BR	GC-SB1	PLR	M	2																						SALEABLE		349531610	NOT AVAILABLE
KEY H, YELLOW, WITH S.B.	34986-1704	H-YW	GC-SB1	PLR	M	2																						SALEABLE		349531610	NOT AVAILABLE
KEY H, YELLOW, WITH S.B.	34986-1708	H-YW	GC-SB1	PLR	M	2																						SALEABLE		349531610	NOT AVAILABLE
KEY H, YELLOW, WITH S.B.	34986-1710	H-YW	GC-SB1	PLR	M	2																						SALEABLE		349531610	NOT AVAILABLE
KEY H, YELLOW, WITH S.B.	34986-1712	H-YW	GC-SB1	PLR	M	2																						SALEABLE		349531610	NOT AVAILABLE
KEY E, BLACK, WITH S.B.	34986-1714	E-BLK	GC-SB2	PLR	M	1																						SALEABLE		349531610	NOT AVAILABLE
KEY B, LIGHT GRAY	34986-1715	B-LG	GC-S	PLR	M																							SALEABLE		349531610	NOT AVAILABLE
KEY A, BLACK	34986-1716	A-BLK	GC-S	PLR	M																							SALEABLE		349531610	NOT AVAILABLE
KEY A, BLACK	34986-1717	A-BLK	GC-S	PLR	M																							SALEABLE		349531610	NOT AVAILABLE
KEY A, BLACK	34986-1718	A-BLK	GC-S	PLR	M																							SALEABLE		349531610	NOT AVAILABLE
KEY A, BLACK	34986-1719	A-BLK	GC-S	PLR	M																							SALEABLE		349531610	NOT AVAILABLE
KEY A, BLACK	34986-1720	A-BLK	GC-S	PLR	M																							SALEABLE		349531610	NOT AVAILABLE
KEY F, LIGHT GRAY, WITH S.B.	34986-1721	F-LG	GC-SB2	PLR	M	1																						SALEABLE		349531610	NOT AVAILABLE
KEY F, LIGHT GRAY, WITH S.B.	34986-1722	F-LG	GC-SB2	PLR	M	1																						SALEABLE		349531610	NOT AVAILABLE
KEY F, LIGHT GRAY, WITH S.B.	34986-1723	F-LG	GC-SB2	PLR	M	1																						SALEABLE		349531610	NOT AVAILABLE
KEY F, LIGHT GRAY, WITH S.B.	34986-1724	F-LG	GC-SB2	PLR	M	1																						SALEABLE		349531610	NOT AVAILABLE
KEY F, LIGHT GRAY, WITH S.B.	34986-1725	F-LG	GC-SB2	PLR	M	1																						SALEABLE		349531610	NOT AVAILABLE
KEY F, LIGHT GRAY, WITH S.B.	34986-1726	F-LG	GC-SB2	PLR	M	1																						SALEABLE		349531610	NOT AVAILABLE
KEY F, LIGHT GRAY, WITH S.B.	34986-1727	F-LG	GC-SB2	PLR	M	1																						SALEABLE		349531610	NOT AVAILABLE
KEY F, LIGHT GRAY, WITH S.B.	34986-1728	F-LG	GC-SB2	PLR	M	1																						SALEABLE		349531610	NOT AVAILABLE
KEY F, LIGHT GRAY	34986-1729	F-LG	GC-S	PLR	M																							SALEABLE		349531610	NOT AVAILABLE
KEY F, LIGHT GRAY, WITH S.B.	34986-1731	F-LG	GC-SB2	PLR	M	1																						SALEABLE		349531610	NOT AVAILABLE
KEY A, BLACK	34986-1732	A-BLK	GC-S	PLR	M																							SALEABLE		349531610	NOT AVAILABLE
KEY E, BLACK, WITH S.B.	34986-1733	E-BLK	GC-SB3	PLR	M	4																						SALEABLE		349531610	NOT AVAILABLE
KEY E, BLACK, WITH S.B.	34986-1734	E-BLK	GC-SB4	PLR	M	3																						SALEABLE		349531610	NOT AVAILABLE
KEY E, BLACK, WITH S.B.	34986-1739	E-BLK	GC-SB1	PLR	M	2																						SALEABLE		349531610	NOT AVAILABLE
KEY E, BLACK, WITH S.B.	34986-1740	E-BLK	GC-SB1	PLR	M	2																						SALEABLE		349531610	NOT AVAILABLE
KEY E, BLACK, WITH S.B.	34986-1741	E-BLK	GC-SB1	PLR	M	2																						SALEABLE		349531610	NOT AVAILABLE
KEY E, BLACK, WITH S.B.	34986-1742	E-BLK	GC-SB1	PLR	M	2																						SALEABLE		349531610	NOT AVAILABLE

MX150 16 WAY HYBRID BLADE SEALED ASSEMBLY MAT SEAL (2.8mm CAVITIES OPEN)
BOM AND PIN OUT SHEET

ASSEMBLY DESCRIPTION	ASSEMBLY PART NUMBER	COMPONENT					BLOCKED TERMINALS																STATUS	COMMENTS	OPTIONAL ATTACHMENTS SOLD SEPARATELY			
		THE PRESENCE OF AN ABBREVIATION INDICATES THE PRESENCE OF THAT COMPONENT.					CAVITY WITH A NUMBER INDICATES BLOCKED TERMINAL POSITION CAVITY WITHOUT A NUMBER INDICATES OPEN TERMINAL POSITION																		BACKSHELL WITH RIBS	BACKSHELL WITHOUT RIBS		
		HOUSING KEY/COLOR	GROMMET CAP	PLR	MAT SEAL	SB QTY	1	2	3	4	5	6	7	8	9	10	11	12	13	14	15	16						
KEY A, BLACK	34986-1743	A-BLK	GC-5	PLR	M					5	6														SALEABLE		349531610	NOT AVAILABLE
KEY A, BLACK	34986-1744	A-BLK	GC-5	PLR	M					5	6								13	14	15				SALEABLE		349531610	NOT AVAILABLE
KEY A, BLACK	34986-1745	A-BLK	GC-5	PLR	M				3		6							11		14					SALEABLE		349531610	NOT AVAILABLE
KEY A, BLACK	34986-1746	A-BLK	GC-5	PLR	M						6							11		14					SALEABLE		349531610	NOT AVAILABLE
KEY A, BLACK	34986-1747	A-BLK	GC-5	PLR	M			2	3		6						11		14	15					SALEABLE		349531610	NOT AVAILABLE
KEY A, BLACK	34986-1748	A-BLK	GC-5	PLR	M			2			6						11		14	15					SALEABLE		349531610	NOT AVAILABLE
KEY A, BLACK	34986-1749	A-BLK	GC-5	PLR	M						6				10	11	12	13	14	15					SALEABLE		349531610	NOT AVAILABLE
KEY A, BLACK	34986-1750	A-BLK	GC-5	PLR	M											11	12	13	14	15					SALEABLE		349531610	NOT AVAILABLE
KEY B, LIGHT GRAY	34986-1751	B-LG	GC-5	PLR	M						5								13	14	15				SALEABLE		349531610	NOT AVAILABLE
KEY B, LIGHT GRAY	34986-1752	B-LG	GC-5	PLR	M						5								13	14	15				SALEABLE		349531610	NOT AVAILABLE
KEY E, BLACK, WITH S.B.	34986-1753	E-BLK	GC-SB1	PLR	M	2		2		SB	SB							SB	SB		15				SALEABLE		349531610	NOT AVAILABLE
KEY A, BLACK	34986-1754	A-BLK	GC-5	PLR	M			2							10	11									SALEABLE		349531610	NOT AVAILABLE
KEY A, BLACK	34986-1755	A-BLK	GC-5	PLR	M			2											13		15				SALEABLE		349531610	NOT AVAILABLE
KEY A, BLACK	34986-1756	A-BLK	GC-5	PLR	M				3		6	7							13						SALEABLE		349531610	NOT AVAILABLE
KEY A, BLACK	34986-1757	A-BLK	GC-5	PLR	M			2	3		6														SALEABLE		349531610	NOT AVAILABLE
KEY A, BLACK	34986-1758	A-BLK	GC-5	PLR	M			2	3		6									14					SALEABLE		349531610	NOT AVAILABLE
KEY E, BLACK, WITH S.B.	34986-1759	E-BLK	GC-SB4	PLR	M	3		2	3	SB	SB	SB	SB					SB	SB	14	15				SALEABLE		349531610	NOT AVAILABLE
KEY E, BLACK, WITH S.B.	34986-1760	E-BLK	GC-SB4	PLR	M	3				SB	SB	SB	SB						SB	SB					SALEABLE		349531610	NOT AVAILABLE
KEY F, LIGHT GRAY, WITH S.B.	34986-1761	F-LG	GC-SB2	PLR	M	1				SB	SB								12	13	14				SALEABLE		349531610	NOT AVAILABLE
KEY H, YELLOW, WITH S.B.	34986-1762	H-YW	GC-SB1	PLR	M	2				SB	SB								SB	SB					SALEABLE		349531610	NOT AVAILABLE
KEY H, YELLOW, WITH S.B.	34986-1763	H-YW	GC-SB1	PLR	M	2				SB	SB								SB	SB	14				SALEABLE		349531610	NOT AVAILABLE
KEY F, LIGHT GRAY, WITH S.B.	34986-1764	F-LG	GC-SB2	PLR	M	1				SB	SB	6	7		10	11	12	13	14	14					SALEABLE		349531610	NOT AVAILABLE
KEY F, LIGHT GRAY, WITH S.B.	34986-1765	F-LG	GC-SB2	PLR	M	1				SB	SB	6			10	11	12	13	14	14					SALEABLE		349531610	NOT AVAILABLE
KEY H, YELLOW, WITH S.B.	34986-1766	H-YW	GC-SB1	PLR	M	2				SB	SB	6	7		10	11	SB	SB	14						SALEABLE		349531610	NOT AVAILABLE
KEY H, YELLOW, WITH S.B.	34986-1767	H-YW	GC-SB1	PLR	M	2				SB	SB	6			10	11	SB	SB	14						SALEABLE		349531610	NOT AVAILABLE
KEY A, BLACK	34986-1768	A-BLK	GC-5	PLR	M				3		5	6					11				15				SALEABLE		349531610	NOT AVAILABLE
KEY A, BLACK	34986-1769	A-BLK	GC-5	PLR	M						6									14					SALEABLE		349531610	NOT AVAILABLE
KEY A, BLACK	34986-1770	A-BLK	GC-5	PLR	M							7						12	13	14	15				SALEABLE		349531610	NOT AVAILABLE
KEY A, BLACK	34986-1771	A-BLK	GC-5	PLR	M			2				7						12	13	14	15				SALEABLE		349531610	NOT AVAILABLE
KEY H, YELLOW, WITH S.B.	34986-1772	H-YW	GC-SB2	PLR	M	1				SB	SB								12	13					SALEABLE		349531610	NOT AVAILABLE
KEY H, YELLOW, WITH S.B.	34986-1773	H-YW	GC-SB2	PLR	M	1		2		SB	SB								12	13		15			SALEABLE		349531610	NOT AVAILABLE
KEY H, YELLOW, WITH S.B.	34986-1774	H-YW	GC-SB2	PLR	M	1			3	SB	SB	6	7		10	11	12	13	14	14					SALEABLE		349531610	NOT AVAILABLE
KEY H, YELLOW, WITH S.B.	34986-1775	H-YW	GC-SB2	PLR	M	1		2	3	SB	SB	6	7		10	11	12	13	14	15					SALEABLE		349531610	NOT AVAILABLE
KEY A, BLACK	34986-1776	A-BLK	GC-5	PLR	M				2	3					10	11			14	15					SALEABLE		349531610	NOT AVAILABLE
KEY A, BLACK	34986-1777	A-BLK	GC-5	PLR	M			2	3				7		10	11	12		14	15					SALEABLE		349531610	NOT AVAILABLE
KEY A, BLACK	34986-1778	A-BLK	GC-5	PLR	M				2	4	5	6	7		10	11	12		14	15					SALEABLE		349531610	NOT AVAILABLE
KEY A, BLACK	34986-1779	A-BLK	GC-5	PLR	M			2	3												15				SALEABLE		349531610	NOT AVAILABLE
KEY A, BLACK	34986-1780	A-BLK	GC-5	PLR	M			2	4				7		10	11		13		15					SALEABLE		349531610	NOT AVAILABLE
KEY A, BLACK	34986-1781	A-BLK	GC-5	PLR	M			2	3						10			13		15					SALEABLE		349531610	NOT AVAILABLE
KEY E, BLACK, WITH S.B.	34986-1782	E-BLK	GC-SB4	PLR	M	3				SB	SB	SB	SB						SB	SB	14	15			SALEABLE		349531610	NOT AVAILABLE
KEY A, BLACK	34986-1783	A-BLK	GC-5	PLR	M				2	3							11	12		14					SALEABLE		349531610	NOT AVAILABLE
KEY A, BLACK	34986-1784	A-BLK	GC-5	PLR	M			2									11			14	15				SALEABLE		349531610	NOT AVAILABLE
KEY A, BLACK	34986-1785	A-BLK	GC-5	PLR	M			2									11	12		14	15				SALEABLE		349531610	NOT AVAILABLE
KEY A, BLACK	34986-1786	A-BLK	GC-5	PLR	M			2					7				11	12							SALEABLE		349531610	NOT AVAILABLE
KEY A, BLACK	34986-1787	A-BLK	GC-5	PLR	M			2									11								SALEABLE		349531610	NOT AVAILABLE
KEY A, BLACK	34986-1788	A-BLK	GC-5	PLR	M					3					10										SALEABLE		349531610	NOT AVAILABLE
KEY A, BLACK	34986-1789	A-BLK	GC-5	PLR	M								7												SALEABLE		349531610	NOT AVAILABLE
KEY A, BLACK	34986-1790	A-BLK	GC-5	PLR	M			2		4									13		15				SALEABLE		349531610	NOT AVAILABLE
KEY A, BLACK	34986-1791	A-BLK	GC-5	PLR	M			2		4											15				SALEABLE		349531610	NOT AVAILABLE
KEY A, BLACK	34986-1792	A-BLK	GC-5	PLR	M					3							11	12	13	14					SALEABLE		349531610	NOT AVAILABLE
KEY A, BLACK	34986-1793	A-BLK	GC-5	PLR	M													12	13	14					SALEABLE		349531610	NOT AVAILABLE
KEY A, BLACK	34986-1794	A-BLK	GC-5	PLR	M					3			6	7					12						SALEABLE		349531610	NOT AVAILABLE
KEY A, BLACK	34986-1795	A-BLK	GC-5	PLR	M			2		4											15				SALEABLE		349531610	NOT AVAILABLE
KEY A, BLACK	34986-1796	A-BLK	GC-5	PLR	M							5	6				11				15				SALEABLE		349531610	NOT AVAILABLE
KEY A, BLACK	34986-1797	A-BLK	GC-5	PLR	M												11	12	13						SALEABLE		349531610	NOT AVAILABLE
KEY A, BLACK	34986-1798	A-BLK	GC-5	PLR	M					3			6						13		15				SALEABLE		349531610	NOT AVAILABLE
KEY A, BLACK	34986-1799	A-BLK	GC-5	PLR	M			2	3				6						13		15				SALEABLE		349531610	NOT AVAILABLE
KEY A, BLACK	34986-1801	A-BLK	GC-5	PLR	M			2	3	4					10	11			13	14	15				SALEABLE		349531610	NOT AVAILABLE
KEY A, BLACK	34986-1802	A-BLK	GC-5	PLR	M			2										12							SALEABLE		349531610	NOT AVAILABLE
KEY A, BLACK	34986-1803	A-BLK	GC-5	PLR	M					3	4	5													SALEABLE		349531610	NOT AVAILABLE
KEY A, BLACK	34986-1804	A-BLK	GC-5	PLR	M					3	4	5			10	11	12	13	14	15					SALEABLE		349531610	NOT AVAILABLE
KEY A, BLACK	34986-1805	A-BLK	GC-5	PLR	M							5													SALEABLE		349531610	NOT AVAILABLE
KEY A, BLACK	34986-1806	A-BLK	GC-5	PLR	M												11								SALEABLE		349531610	NOT AVAILABLE
KEY A, BLACK	34986-1807	A-BLK	GC-5	PLR	M			2	3						10	11									SALEABLE		349531610	NOT AVAILABLE
KEY A, YELLOW	34986-1808	A-YW	GC-5	PLR	M							6			10	11				14					SALEABLE		349531610	NOT AVAILABLE
KEY B, LIGHT GRAY	34986-1809	B-LG	GC-5	PLR	M														12	13	14				SALEABLE		349531610	NOT AVAILABLE
KEY B, LIGHT GRAY																												

MX150 16 WAY HYBRID BLADE SEALED ASSEMBLY MAT SEAL (2.8mm CAVITIES OPEN)
BOM AND PIN OUT SHEET

ASSEMBLY DESCRIPTION	ASSEMBLY PART NUMBER	COMPONENT					BLOCKED TERMINALS																STATUS	COMMENTS	OPTIONAL ATTACHMENTS SOLD SEPARATELY				
		THE PRESENCE OF AN ABBREVIATION INDICATES THE PRESENCE OF THAT COMPONENT.					CAVITY WITH A NUMBER INDICATES BLOCKED TERMINAL POSITION CAVITY WITHOUT A NUMBER INDICATES OPEN TERMINAL POSITION																		BACKSHELL WITH RIBS	BACKSHELL WITHOUT RIBS			
		HOUSING KEY/COLOR	GROMMET CAP	PLR	MAT SEAL	SB QTY	1	2	3	4	5	6	7	8	9	10	11	12	13	14	15	16							
KEY B, LIGHT GRAY	34986-1834	B-LG	GC-5	PLR	M				3	4	5														SALEABLE		349531610	NOT AVAILABLE	
KEY B, LIGHT GRAY	34986-1835	B-LG	GC-5	PLR	M				3	4	5				10	11	12	13	14	15					SALEABLE		349531610	NOT AVAILABLE	
KEY B, LIGHT GRAY	34986-1836	B-LG	GC-5	PLR	M						5														SALEABLE		349531610	NOT AVAILABLE	
KEY A, BLACK	34986-1837	A-BLK	GC-5	PLR	M				3						10	11									SALEABLE		349531610	NOT AVAILABLE	
KEY E, BLACK	34986-1838	E-BLK	GC-5	PLR	M										10	11				14					SALEABLE		349531610	NOT AVAILABLE	
KEY E, BLACK	34986-1839	E-BLK	GC-5	PLR	M										10	11				14					SALEABLE		349531610	NOT AVAILABLE	
KEY H, YELLOW, WITH S.B.	34986-1840	H-YW	GC-SB5	PLR	M	5		SB	SB	SB	SB	SB	SB	SB											SALEABLE		349531610	NOT AVAILABLE	
KEY A, BLACK	34986-1841	A-BLK	GC-5	PLR	M															14					SALEABLE		349531610	NOT AVAILABLE	
KEY A, BLACK	34986-1842	A-BLK	GC-5	PLR	M																				SALEABLE		349531610	NOT AVAILABLE	
KEY A, BLACK	34986-1843	A-BLK	GC-5	PLR	M						5				10										SALEABLE		349531610	NOT AVAILABLE	
KEY A, BLACK	34986-1844	A-BLK	GC-5	PLR	M			2			4														SALEABLE		349531610	NOT AVAILABLE	
KEY A, BLACK	34986-1845	A-BLK	GC-5	PLR	M																				SALEABLE		349531610	NOT AVAILABLE	
KEY A, BLACK	34986-1846	A-BLK	GC-5	PLR	M			2	3	4	5	6	7			11	12	13	14	15					SALEABLE		349531610	NOT AVAILABLE	
KEY A, BLACK	34986-1847	A-BLK	GC-5	PLR	M			2	3	4	5						12	13	14	15					SALEABLE		349531610	NOT AVAILABLE	
KEY A, BLACK	34986-1848	A-BLK	GC-5	PLR	M			2	3	4	5					11	12	13	14	15					SALEABLE		349531610	NOT AVAILABLE	
KEY A, BLACK	34986-1849	A-BLK	GC-5	PLR	M						5	6	7							13	14	15			SALEABLE		349531610	NOT AVAILABLE	
KEY A, BLACK	34986-1850	A-BLK	GC-5	PLR	M			2				5	6	7		10				13	14	15			SALEABLE		349531610	NOT AVAILABLE	
KEY A, BLACK	34986-1851	A-BLK	GC-5	PLR	M			2							10					13	14	15			SALEABLE		349531610	NOT AVAILABLE	
KEY A, BLACK	34986-1852	A-BLK	GC-5	PLR	M			2	3	4					10	11	12	13	14	15				SALEABLE		349531610	NOT AVAILABLE		
KEY A, BLACK	34986-1853	A-BLK	GC-5	PLR	M				3	4	5	6	7			11	12	13	14	15				SALEABLE		349531610	NOT AVAILABLE		
KEY A, BLACK	34986-1854	A-BLK	GC-5	PLR	M			2		4	5				10										SALEABLE		349531610	NOT AVAILABLE	
KEY A, BLACK	34986-1855	A-BLK	GC-5	PLR	M			2	3						10										SALEABLE		349531610	NOT AVAILABLE	
KEY A, BLACK	34986-1856	A-BLK	GC-5	PLR	M			2							10	11									SALEABLE		349531610	NOT AVAILABLE	
KEY A, BLACK	34986-1857	A-BLK	GC-5	PLR	M												12	13	14	15					SALEABLE		349531610	NOT AVAILABLE	
KEY A, BLACK	34986-1858	A-BLK	GC-5	PLR	M													13	14	15					SALEABLE		349531610	NOT AVAILABLE	
KEY A, BLACK	34986-1859	A-BLK	GC-5	PLR	M																				SALEABLE		349531610	NOT AVAILABLE	
KEY A, BLACK	34986-1860	A-BLK	GC-5	PLR	M				3						10					13	14	15			SALEABLE		349531610	NOT AVAILABLE	
KEY A, BLACK	34986-1861	A-BLK	GC-5	PLR	M			2	3	4	5	6	7							12	13	14	15		SALEABLE		349531610	NOT AVAILABLE	
KEY A, BLACK	34986-1862	A-BLK	GC-5	PLR	M			2		4										13	14	15			SALEABLE		349531610	NOT AVAILABLE	
KEY A, BLACK	34986-1863	A-BLK	GC-5	PLR	M			2												13	14	15			SALEABLE		349531610	NOT AVAILABLE	
KEY A, BLACK	34986-1864	A-BLK	GC-5	PLR	M					3	4				10	11				13	14	15			SALEABLE		349531610	NOT AVAILABLE	
KEY A, BLACK	34986-1865	A-BLK	GC-5	PLR	M				3	4					10	11	12	13	14	15					SALEABLE		349531610	NOT AVAILABLE	
KEY A, BLACK	34986-1866	A-BLK	GC-5	PLR	M				3	4					10	11				13	14	15			SALEABLE		349531610	NOT AVAILABLE	
KEY A, BLACK	34986-1867	A-BLK	GC-5	PLR	M							6	7												SALEABLE		349531610	NOT AVAILABLE	
KEY A, BLACK	34986-1868	A-BLK	GC-5	PLR	M					3															SALEABLE		349531610	NOT AVAILABLE	
KEY A, BLACK	34986-1869	A-BLK	GC-5	PLR	M																				SALEABLE		349531610	NOT AVAILABLE	
KEY A, BLACK	34986-1870	A-BLK	GC-5	PLR	M			2																	SALEABLE		349531610	NOT AVAILABLE	
KEY E, BLACK, WITH S.B.	34986-1871	E-BLK	GC-SB1	PLR	M	2		2	3	SB	SB	6	7							10	11	SB	SB	14	15	SALEABLE		349531610	NOT AVAILABLE
KEY A, BLACK	34986-1872	A-BLK	GC-5	PLR	M					3																SALEABLE		349531610	NOT AVAILABLE
KEY H, YELLOW, WITH S.B.	34986-1873	H-YW	GC-SB2	PLR	M	1		2	3	SB	SB	6	7							10	11	12	13	14	15	SALEABLE		349531610	NOT AVAILABLE
KEY H, YELLOW, WITH S.B.	34986-1874	H-YW	GC-SB2	PLR	M	1		2	3	SB	SB	6	7							10	11	12	13			SALEABLE		349531610	NOT AVAILABLE
KEY H, YELLOW, WITH S.B.	34986-1875	H-YW	GC-SB2	PLR	M	1		2	3	SB	SB	6	7							10	11	12	13	14		SALEABLE		349531610	NOT AVAILABLE
KEY H, YELLOW, WITH S.B.	34986-1876	H-YW	GC-SB2	PLR	M	1		2	3	SB	SB	6	7							10	11	12	13	14	15	SALEABLE		349531610	NOT AVAILABLE
KEY H, YELLOW, WITH S.B.	34986-1877	H-YW	GC-SB2	PLR	M	1		2	3	SB	SB	6	7							10	11	12	13	14	15	SALEABLE		349531610	NOT AVAILABLE
KEY H, YELLOW, WITH S.B.	34986-1878	H-YW	GC-SB2	PLR	M	1		2	3	SB	SB	6	7							10	11	12	13	14	15	SALEABLE		349531610	NOT AVAILABLE
KEY H, YELLOW, WITH S.B.	34986-1879	H-YW	GC-SB2	PLR	M	1				SB	SB									10	11	12	13			SALEABLE		349531610	NOT AVAILABLE
KEY H, YELLOW, WITH S.B.	34986-1880	H-YW	GC-SB2	PLR	M	1				SB	SB									10	11	12	13	14	15	SALEABLE		349531610	NOT AVAILABLE
KEY H, YELLOW, WITH S.B.	34986-1881	H-YW	GC-SB2	PLR	M	1				SB	SB									10	11	12	13	14	15	SALEABLE		349531610	NOT AVAILABLE
KEY B, LIGHT GRAY	34986-1882	B-LG	GC-5	PLR	M																					SALEABLE		349531610	NOT AVAILABLE
KEY A, BLACK	34986-1883	A-BLK	GC-5	PLR	M			2																		SALEABLE		349531610	NOT AVAILABLE
KEY H, YELLOW, WITH S.B.	34986-1884	H-YW	GC-SB2	PLR	M	1				SB	SB															SALEABLE		349531610	NOT AVAILABLE
KEY H, YELLOW, WITH S.B.	34986-1885	H-YW	GC-SB2	PLR	M	1				SB	SB	6	7													SALEABLE		349531610	NOT AVAILABLE
KEY A, BLACK	34986-1886	A-BLK	GC-5	PLR	M			2	3	4																SALEABLE		349531610	NOT AVAILABLE
KEY A, BLACK	34986-1887	A-BLK	GC-5	PLR	M																					SALEABLE		349531610	NOT AVAILABLE
KEY A, BLACK	34986-1888	A-BLK	GC-5	PLR	M																					SALEABLE		349531610	NOT AVAILABLE
KEY A, BLACK	34986-1889	A-BLK	GC-5	PLR	M																					SALEABLE		349531610	NOT AVAILABLE
KEY A, BLACK	34986-1890	A-BLK	GC-5	PLR	M			2																		SALEABLE		349531610	NOT AVAILABLE
KEY A, BLACK	34986-1891	A-BLK	GC-5	PLR	M			2																		SALEABLE		349531610	NOT AVAILABLE
KEY A, BLACK	34986-1892	A-BLK	GC-5	PLR	M																					SALEABLE		349531610	NOT AVAILABLE
KEY A, BLACK	34986-1893	A-BLK	GC-5	PLR	M			2																		SALEABLE		349531610	NOT AVAILABLE
KEY A, BLACK	34986-1894	A-BLK	GC-5	PLR	M			2																		SALEABLE		349531610	NOT AVAILABLE
KEY A, BLACK	34986-1895	A-BLK	GC-5	PLR	M			2	3	4	5	6	7													SALEABLE		349531610	NOT AVAILABLE
KEY A, BLACK	34986-1900	A-BLK	GC-5	PLR	M			2	3																	SALEABLE		349531610	NOT AVAILABLE
KEY A, BLACK	34986-1901	A-BLK	GC-5	PLR	M																					SALEABLE		349531610	NOT AVAILABLE
KEY A, BLACK	34986-1902	A-BLK	GC-5	PLR	M																					SALEABLE		349531610	NOT AVAILABLE
KEY A, BLACK	34986-1903	A-BLK	GC-5	PLR	M			2																		SALEABLE		349531610	NOT AVAILABLE
KEY A, BLACK	349																												

MX150 16 WAY HYBRID BLADE SEALED ASSEMBLY MAT SEAL (2.8mm CAVITIES OPEN)
BOM AND PIN OUT SHEET

ASSEMBLY DESCRIPTION	ASSEMBLY PART NUMBER	COMPONENT					BLOCKED TERMINALS																STATUS	COMMENTS	OPTIONAL ATTACHMENTS SOLD SEPARATELY				
		THE PRESENCE OF AN ABBREVIATION INDICATES THE PRESENCE OF THAT COMPONENT.					CAVITY WITH A NUMBER INDICATES BLOCKED TERMINAL POSITION CAVITY WITHOUT A NUMBER INDICATES OPEN TERMINAL POSITION																		BACKSHELL WITH RIBS	BACKSHELL WITHOUT RIBS			
		HOUSING KEY/COLOR	GROMMET CAP	PLR	MAT SEAL	SB QTY	1	2	3	4	5	6	7	8	9	10	11	12	13	14	15	16							
KEY B, LIGHT GRAY	34986-1928	B-LG	GC-5	PLR	M			2	3	4	5	6	7			10	11	12	13	14	15	SALEABLE		349531610	NOT AVAILABLE				
KEY B, LIGHT GRAY	34986-1929	B-LG	GC-5	PLR	M							6	7									15	SALEABLE		349531610	NOT AVAILABLE			
KEY A, BLACK	34986-1930	A-BLK	GC-5	PLR	M			2			5	6				10	11	12	13			SALEABLE		349531610	NOT AVAILABLE				
KEY A, BLACK	34986-1931	A-BLK	GC-5	PLR	M			2		4	5					10		12	13			SALEABLE		349531610	NOT AVAILABLE				
KEY A, BLACK	34986-1932	A-BLK	GC-5	PLR	M			2		4								12	13			SALEABLE		349531610	NOT AVAILABLE				
KEY A, BLACK	34986-1933	A-BLK	GC-5	PLR	M			2				6						12	13	14	15	SALEABLE		349531610	NOT AVAILABLE				
KEY A, BLACK	34986-1934	A-BLK	GC-5	PLR	M						5	6	7			10	11	12	13	14	15	SALEABLE		349531610	NOT AVAILABLE				
KEY A, BLACK	34986-1935	A-BLK	GC-5	PLR	M				3	4		6				10	11	12	13	14	15	SALEABLE		349531610	NOT AVAILABLE				
KEY A, BLACK	34986-1936	A-BLK	GC-5	PLR	M			2			5						11		13		15	SALEABLE		349531610	NOT AVAILABLE				
KEY A, BLACK	34986-1937	A-BLK	GC-5	PLR	M			2			5					10	11		13		15	SALEABLE		349531610	NOT AVAILABLE				
KEY A, BLACK	34986-1938	A-BLK	GC-5	PLR	M			2				6				10	11	12	13	14	15	SALEABLE		349531610	NOT AVAILABLE				
KEY A, BLACK	34986-1939	A-BLK	GC-5	PLR	M						5							12			15	SALEABLE		349531610	NOT AVAILABLE				
KEY A, BLACK	34986-1940	A-BLK	GC-5	PLR	M				3	4					7					14	15	SALEABLE		349531610	NOT AVAILABLE				
KEY A, BLACK	34986-1941	A-BLK	GC-5	PLR	M																15	SALEABLE		349531610	NOT AVAILABLE				
KEY A, BLACK	34986-1942	A-BLK	GC-5	PLR	M			2	3		5				7			10	11	12	13	14	15	SALEABLE		349531610	NOT AVAILABLE		
KEY A, BLACK	34986-1943	A-BLK	GC-5	PLR	M							6	7				11		13			SALEABLE		349531610	NOT AVAILABLE				
KEY B, LIGHT GRAY	34986-1944	B-LG	GC-5	PLR	M						4								13			SALEABLE		349531610	NOT AVAILABLE				
KEY A, BLACK	34986-1945	A-BLK	GC-5	PLR	M				3	4						10	11	12				SALEABLE		349531610	NOT AVAILABLE				
KEY A, BLACK	34986-1946	A-BLK	GC-5	PLR	M							6						11		13		SALEABLE		349531610	NOT AVAILABLE				
KEY A, BLACK	34986-1947	A-BLK	GC-5	PLR	M			2	3			6					11		13			SALEABLE		349531610	NOT AVAILABLE				
KEY A, BLACK	34986-1948	A-BLK	GC-5	PLR	M						4										14	SALEABLE		349531610	NOT AVAILABLE				
KEY B, LIGHT GRAY	34986-1949	B-LG	GC-5	PLR	M						4											SALEABLE		349531610	NOT AVAILABLE				
KEY A, BLACK	34986-1950	A-BLK	GC-5	PLR	M										7				10		13	14	15	SALEABLE		349531610	NOT AVAILABLE		
KEY A, BLACK	34986-1951	A-BLK	GC-5	PLR	M										7					13	14	15	SALEABLE		349531610	NOT AVAILABLE			
KEY A, BLACK	34986-1952	A-BLK	GC-5	PLR	M											10				13	14	SALEABLE		349531610	NOT AVAILABLE				
KEY A, BLACK	34986-1953	A-BLK	GC-5	PLR	M										7					13		15	SALEABLE		349531610	NOT AVAILABLE			
KEY H, YELLOW, WITH S.B.	34986-1954	H-YW	GC-SB1	PLR	M	2		2	3	SB	SB							SB	SB		15	SALEABLE		349531610	NOT AVAILABLE				
KEY A, BLACK	34986-1955	A-BLK	GC-5	PLR	M														13				SALEABLE		349531610	NOT AVAILABLE			
KEY A, BLACK	34986-1956	A-BLK	GC-5	PLR	M							6						12	13	14	15	SALEABLE		349531610	NOT AVAILABLE				
KEY A, BLACK	34986-1957	A-BLK	GC-5	PLR	M										7					13		15	SALEABLE		349531610	NOT AVAILABLE			
KEY A, BLACK	34986-1958	A-BLK	GC-5	PLR	M											10				13			SALEABLE		349531610	NOT AVAILABLE			
KEY C, DARK GRAY	34986-1959	C-DG	GC-5	PLR	M																		SALEABLE		349531610	NOT AVAILABLE			
KEY D, STONE GRAY	34986-1960	D-SG	GC-5	PLR	M																		SALEABLE		349531610	NOT AVAILABLE			
KEY A, YELLOW	34986-1961	A-YW	GC-5	PLR	M			2														15	SALEABLE		349531610	NOT AVAILABLE			
KEY F, LIGHT GRAY	34986-1962	F-LG	GC-5	PLR	M						4	5	6	7					10	11	12	13	14	15	SALEABLE		349531610	NOT AVAILABLE	
KEY F, LIGHT GRAY, WITH S.B.	34986-1963	F-LG	GC-SB1	PLR	M	2		2	3	SB	SB	6	7					SB	SB	14	15	SALEABLE		349531610	NOT AVAILABLE				
KEY F, LIGHT GRAY, WITH S.B.	34986-1964	F-LG	GC-SB1	PLR	M	2					SB	SB	6	7					SB	SB	14	15	SALEABLE		349531610	NOT AVAILABLE			
KEY A, BLACK	34986-1965	A-BLK	GC-5	PLR	M				3		5								10	11	12			SALEABLE		349531610	NOT AVAILABLE		
KEY A, BLACK	34986-1966	A-BLK	GC-5	PLR	M			2	3	4	5								10	11	12	13		15	SALEABLE		349531610	NOT AVAILABLE	
KEY A, BLACK	34986-1967	A-BLK	GC-5	PLR	M			2	3			6							11					SALEABLE		349531610	NOT AVAILABLE		
KEY B, LIGHT GRAY	34986-1968	B-LG	GC-5	PLR	M					4		6									13			SALEABLE		349531610	NOT AVAILABLE		
KEY A, BLACK	34986-1969	A-BLK	GC-5	PLR	M			2	3		5	6						11				15	SALEABLE		349531610	NOT AVAILABLE			
KEY A, BLACK	34986-1970	A-BLK	GC-5	PLR	M			2			5	6										15	SALEABLE		349531610	NOT AVAILABLE			
KEY A, BLACK	34986-1971	A-BLK	GC-5	PLR	M			2	3	4								10	11	12			SALEABLE		349531610	NOT AVAILABLE			
KEY A, BLACK	34986-1972	A-BLK	GC-5	PLR	M																	15	SALEABLE		349531610	NOT AVAILABLE			
KEY A, BLACK	34986-1973	A-BLK	GC-5	PLR	M														10	11	12	13	14	15	SALEABLE		349531610	NOT AVAILABLE	
KEY A, BLACK	34986-1974	A-BLK	GC-5	PLR	M			2												10	11	12	13	14	15	SALEABLE		349531610	NOT AVAILABLE
KEY E, BLACK	34986-1975	E-BLK	GC-5	PLR	M			2	3	4	5	6	7							10	11	12	13	14	15	SALEABLE		349531610	NOT AVAILABLE
KEY A, BLACK	34986-1976	A-BLK	GC-5	PLR	M			2	3			6	7							10	11	12	13	14	SALEABLE		349531610	NOT AVAILABLE	
KEY A, BLACK	34986-1977	A-BLK	GC-5	PLR	M															10	11				SALEABLE		349531610	NOT AVAILABLE	
KEY A, BLACK	34986-1978	A-BLK	GC-5	PLR	M			2													12	13	14	SALEABLE		349531610	NOT AVAILABLE		
KEY A, BLACK	34986-1979	A-BLK	GC-5	PLR	M			2	3		5	6							11	12	13		15	SALEABLE		349531610	NOT AVAILABLE		
KEY A, BLACK	34986-1980	A-BLK	GC-5	PLR	M				3		5	6	7						10	11	12	13	14	15	SALEABLE		349531610	NOT AVAILABLE	
KEY A, BLACK	34986-1981	A-BLK	GC-5	PLR	M			2			5	6									12	13	14	SALEABLE		349531610	NOT AVAILABLE		
KEY A, BLACK	34986-1982	A-BLK	GC-5	PLR	M			2			5	6	7						10	11	12	13	14	SALEABLE		349531610	NOT AVAILABLE		
KEY A, BLACK	34986-1983	A-BLK	GC-5	PLR	M						5	6	7										15	SALEABLE		349531610	NOT AVAILABLE		
KEY A, BLACK	34986-1984	A-BLK	GC-5	PLR	M				3		5	6	7										15	SALEABLE		349531610	NOT AVAILABLE		
KEY A, BLACK	34986-1985	A-BLK	GC-5	PLR	M				3		5	6	7						10	11			15	SALEABLE		349531610	NOT AVAILABLE		
KEY A, BLACK	34986-1986	A-BLK	GC-5	PLR	M						5	6	7						10	11	12	13	14	SALEABLE		349531610	NOT AVAILABLE		
KEY A, BLACK	34986-1987	A-BLK	GC-5	PLR	M						5								10	11	12			SALEABLE		349531610	NOT AVAILABLE		
KEY A, BLACK	34986-1988	A-BLK	GC-5	PLR	M			2			4	5							10	11	12	13	14	15	SALEABLE		349531610	NOT AVAILABLE	
KEY A, BLACK	34986-1989	A-BLK	GC-5	PLR	M			2				6												SALEABLE		349531610	NOT AVAILABLE		
KEY A, BLACK	34986-1990	A-BLK	GC-5	PLR	M						5	6	7											SALEABLE		349531610	NOT AVAILABLE		
KEY A, BLACK	34986-1991	A-BLK	GC-5	PLR	M			2	3		5	6	7						10	11	12	13		15	SALEABLE		349531610	NOT AVAILABLE	
KEY A, BLACK	34986-1992	A-BLK	GC-5	PLR	M				3	4	5										11	12	13	14	15	SALEABLE		349531610	NOT AVAILABLE
KEY A, BLACK	34986-1993	A-BLK	GC-5	PLR	M			2	3	4	5	6	7						10	11		13	14	15	SALEABLE		349531610	NOT AVAILABLE	
KEY A, BLACK	34986-1994	A-BLK	GC-5	PLR	M			2					7								13				SALEABLE		349531610	NOT AVAILABLE	
KEY A, BLACK	34986-1995	A-BLK	GC-5	PLR	M			2	3	4	5														SALEABLE		349531610	NOT AVAILABLE	
KEY A, BLACK	34986-1996	A-BLK	GC-5	PLR	M							6																	

**MX150 16 WAY HYBRID BLADE SEALED ASSEMBLY MAT SEAL (2.8mm CAVITIES OPEN)
BOM AND PIN OUT SHEET**

ASSEMBLY DESCRIPTION	ASSEMBLY PART NUMBER	COMPONENT					BLOCKED TERMINALS																STATUS	COMMENTS	OPTIONAL ATTACHMENTS SOLD SEPERATELY		
		THE PRESENCE OF AN ABBREVIATION INDICATES THE PRESENCE OF THAT COMPONENT.					CAVITY WITH A NUMBER INDICATES BLOCKED TERMINAL POSITION CAVITY WITHOUT A NUMBER INDICATES OPEN TERMINAL POSITION																		BACKSHELL WITH RIBS	BACKSHELL WITHOUT RIBS	
		HOUSING KEY/COLOR	GROMMET CAP	PLR	MAT SEAL	SB QTY	1	2	3	4	5	6	7	8	9	10	11	12	13	14	15	16					
KEY B, LIGHT GRAY	34986-2288	B-LG	GC-S	PLR	M														12		14			SALEABLE		349531610	NOT AVAILABLE
KEY A, BLACK	34986-2289	A-BLK	GC-S	PLR	M				4	5	6													SALEABLE		349531610	NOT AVAILABLE
KEY B, LIGHT GRAY	34986-2290	B-LG	GC-S	PLR	M											11								SALEABLE		349531610	NOT AVAILABLE
KEY B, LIGHT GRAY	34986-2291	B-LG	GC-S	PLR	M		2	3	4	5		7				11			14	15				SALEABLE		349531610	NOT AVAILABLE
KEY A, BLACK	34986-2292	A-BLK	GC-S	PLR	M		2			5		7			10	11	12	13		15				SALEABLE		349531610	NOT AVAILABLE
KEY A, BLACK	34986-2293	A-BLK	GC-S	PLR	M		2			5		7			10	11	12			15				SALEABLE		349531610	NOT AVAILABLE
KEY A, BLACK	34986-2294	A-BLK	GC-S	PLR	M		2	3	4						10	11	12		14	15				SALEABLE		349531610	NOT AVAILABLE
KEY A, BLACK	34986-2295	A-BLK	GC-S	PLR	M				4						10	11	12	13						SALEABLE		349531610	NOT AVAILABLE
KEY A, BLACK	34986-2296	A-BLK	GC-S	PLR	M				4							11	12	13		15				SALEABLE		349531610	NOT AVAILABLE
KEY A, BLACK	34986-2297	A-BLK	GC-S	PLR	M		2	3			6	7			10	11			14	15				SALEABLE		349531610	NOT AVAILABLE
KEY A, BLACK	34986-2298	A-BLK	GC-S	PLR	M		2			5		7			10	11		13		15				SALEABLE		349531610	NOT AVAILABLE
KEY A, BLACK	34986-2299	A-BLK	GC-S	PLR	M				4	5	6				10	11	12		14	15				SALEABLE		349531610	NOT AVAILABLE