

ATB

Two Hand Anti-Tiedown Plug-In Timer



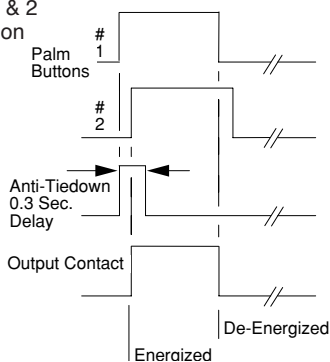
- Digital CMOS Design
- Maintained or Pulsed Outputs
- 10 Amp, SPDT
- ±1% Repeatability
- Transient Protected

Operation

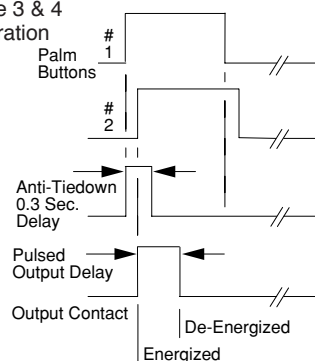
Two Hand Anti-Tiedown

The ATB's are designed for use in two hand machine controls. The timing sequence is initiated by depressing one of the two buttons. At that time a .3 second delay is started. During that time the second button must be activated while the first button is maintained to permit the ATB output to be energized. Both buttons must be maintained or pinch point switch closed to allow continued operation of the machine. If either button is released, the ATB output will be interrupted. Both buttons must be released to reset the ATB. With the timed output options, the palm buttons must be maintained during the timed pulse period. To restart in this operation, the palm buttons must be released and operated again.

Code 1 & 2 Operation



Code 3 & 4 Operation



Specifications

Electrical

Input Voltage:
24 or 115VAC, ±15%, 50/60Hz.
Input Palm Bottom Delay: 0.3 Sec. Fixed
Time Delays:
Type: Adjustable or Factory Fixed
Range: 50 Milliseconds to 1 Minute
Repeat Accuracy: ±1% under Fixed Conditions.
Fixed Time Accuracy: ±5% Worst Case
Reset Times: 50 Milliseconds, Typical
Protection: Varistor and/or R-C Network
Power Consumption: 5VA
Output Ratings:
10 Amps, 1/3 HP @ 240VAC
10 Amps, 1/6 HP @ 120VAC
500,000 Full Load Electrical Cycles
50,000,000 Mechanical Cycles

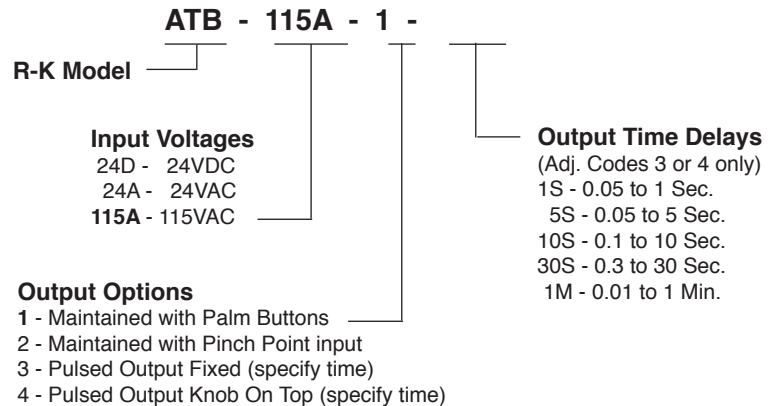
Physical

Mounting: Plug-In
Termination: 8 Pin
Packaging: Dust Cover
Weight: 7 Oz.

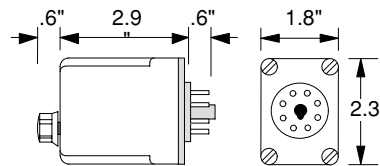
Ambient Temperatures

Operating: -10°C to 65°C
Storage: -10°C to 85°C

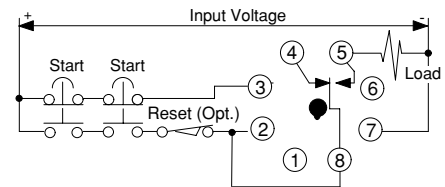
Ordering Information



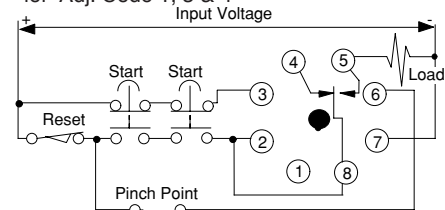
Dimensions



Connections



Example of hook-up for Adj. Code 1, 3 & 4



Hook-up for Adj. Code 2