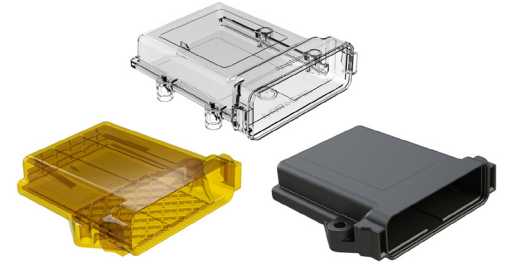




ARMORIPX™ Family

Sealed Enclosures



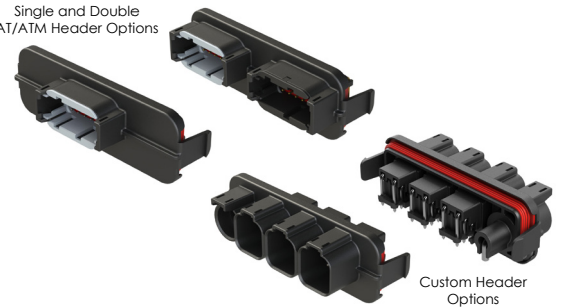
Amphenol Sine systems' **Armor IPX™ Family of Sealed Enclosures** provides superior protection for printed circuit boards and electronic control modules in harsh environments and off-road applications. Available in two (2) sizes, as well as three (3) different material types: Clear Thermoplastic, Black Thermoplastic or Ultem® (Transparent Amber). Simplified installation is accomplished via a rugged tandem through-hole design for ease of mounting and includes optional environmental venting. The **Armor IPX™** electrical interface is established with the compact **AT/ATM Header Systems** featuring optional keying and sealed 90° molded pins. The snap-in headers quickly and securely attach to the **Armor IPX™** enclosure and mate with standard **AT/ATM Series** plugs. **Armor IPX™ Sealed Enclosures** and **AT/ATM Header Systems** are compatible with industry standard EEC enclosures.

Key Features

- Available in Standard and Large sizes
- Intermatable with industry standard connectors
- Optional header configurations
 - AT Series™ 12, 24, 36, 48 I/O (A, B, C & D Keying)
 - ATM Series™ 12, 24 I/O (A, B, C & D Keying)
- Rugged tandem through-hole design for ease of mounting
- Snap-in headers establish ease of interface with PCB
- Cross-hatch design increases venting protection
- Resistant to most fluids used in industrial applications



Single and Double AT/ATM Header Options



Available Options

- **Custom/Blank Headers** - available to assist in establishing additional connector interface flexibility.
- **Vented Enclosures** - allow for atmospheric pressure differentials (+ or -), due to heat (sun load, board heat, etc.), which help alleviate seal leakage under extreme conditions. For environments requiring 'clean' venting, customers often purchase venting patches which keep out oils and moisture. (The circular flat area inside the enclosure is made to accommodate these patches.)

Technical Specifications

Temperature Range	Clear Enclosure: -40°C to +120°C Black Enclosure: -55°C to +125°C Ultem® (Transparent Amber) Encl: -55°C to +125°C AT/ATM Headers: -55°C to +125°C
Temperature (Humidity)	320 Hr
Temperature (Life)	1000 Hr
UV Exposure	500 Hr
Max. Current (AMP)	13A (AT Headers); 7.5A (ATM Headers)
IP Ratings	IP67/69K (w/ Header Installed)
Contact Resistance	<6mΩ (AT Headers); <11mΩ (ATM Headers)
Insulation Resistance	>1000MΩ @ 25°C (AT/ATM Headers)
Current Cycling	500 Hour (AT/ATM Headers)

Material	Clear Enclosure: Natural Polycarbonate Black Enclosure: PA66 Ultem® (Transparent Amber) Enclosure: PEI AT/ATM Headers: PA46
Salt Fog	96 Hr
Vibration	10 to 2000Hz – 20g peak level – XYZ – 24 Hr
Shock	50g - 20 pulses
Pins	Copper Alloy w Tin or Gold Plating (AT™ Headers) Brass, Post Tin or Gold Plated (ATM™ Headers)
Sealing Material	Silicone Rubber (AT/ATM Headers)
RoHS	Compliant



A Series™ Family

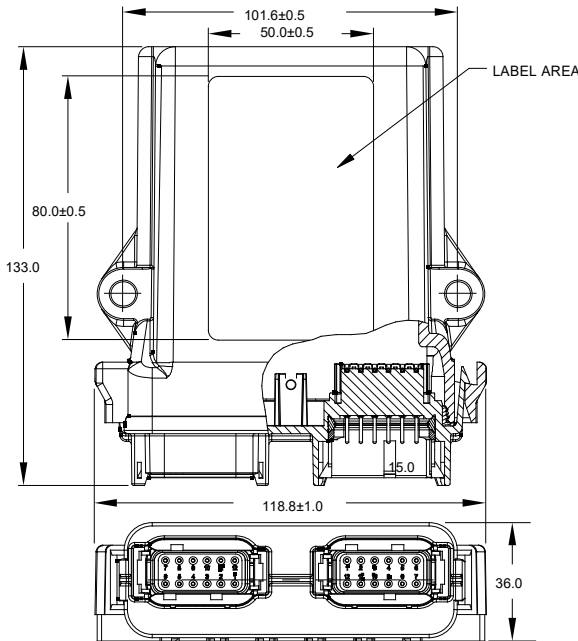


Standard products. Custom solutions
Customer Service +1 800 394 7732

Armor IPX Series™ Enclosures & Headers

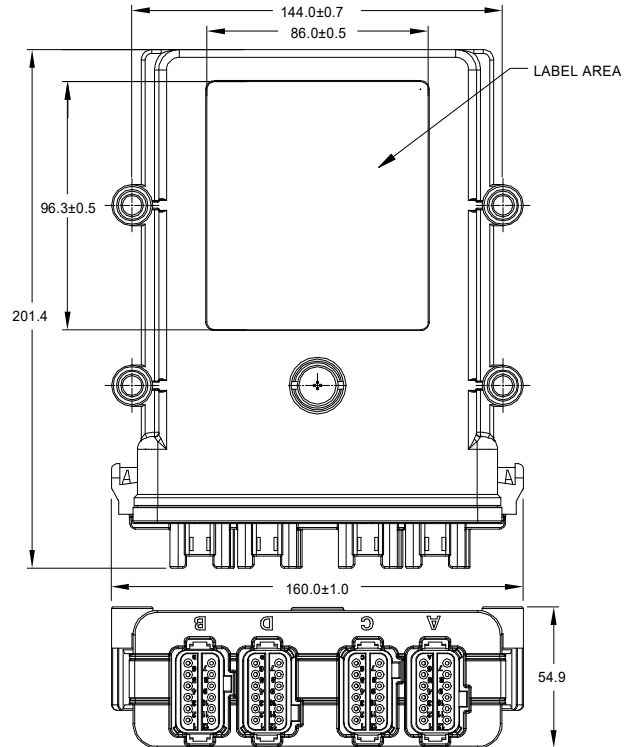
Image	Part Number	Description	Amp	Volt	
	AIPXE-325X4A-E017	Standard, Clear, Thermoplastic Enclosure, Vent Hole, Armor IPX™, Temp. Range: -40°C to +120°C	-	-	
	AIPXE-325X4B-E017	Standard, Clear, Thermoplastic Enclosure, w/out Vent Hole, Armor IPX™, Temp. Range: -40°C to +120°C	-	-	
	AIPXE-5X650A-E017	Large, Clear, Thermoplastic Enclosure, Vent Hole, Armor IPX™, Temp. Range: -40°C to +120°C	-	-	
	AIPXE-5X650B-E017	Large, Clear, Thermoplastic Enclosure, w/out Vent Hole, Armor IPX™, Temp. Range: -40°C to +120°C	-	-	
	AIPXE-325X4A	Standard, Black, Thermoplastic Enclosure, Vent Hole, Armor IPX™, Temp. Range: -55°C to +125°C	-	-	
	AIPXE-325X4B	Standard, Black, Thermoplastic Enclosure, w/out Vent Hole, Armor IPX™, Temp. Range: -55°C to +125°C	-	-	
	AIPXE-5X650A	Large, Black, Thermoplastic Enclosure, Vent Hole, Armor IPX™, Temp. Range: -55°C to +125°C	-	-	
	AIPXE-5X650B	Large, Black, Thermoplastic Enclosure, w/out Vent Hole, Armor IPX™, Temp. Range: -55°C to +125°C	-	-	
	AIPXE-325X4A-E016	Standard, Ultem® (Amber), Enclosure, Vent Hole, Armor IPX™, Temp. Range: -55°C to +125°C	-	-	
	AIPXE-325X4B-E016	Standard, Ultem® (Amber), Enclosure, w/out Vent Hole, Armor IPX™, Temp. Range: -55°C to +125°C	-	-	
		AT13-12PA-R015	Large, AT Header, Thermoplastic, Armor IPX™, 1x12 Position, Size 16, A Key - Tin Plating	13A	250V
		AT13-24PAB-BM03	Large, AT Header, Thermoplastic, Armor IPX™, 2x12 Position, Size 16, AB Key - Tin Plating	13A	250V
AT13-36PABC-BM03		Large, AT Header, Thermoplastic, Armor IPX™, 3x12 Position, Size 16, ABC Key - Tin Plating	13A	250V	
AT13-48PABCD-BM03		Large, AT Header, Thermoplastic, Armor IPX™, 4x12 Position, Size 16, ABCD Key - Tin Plating	13A	250V	
	AT13-12PA-GR02	Large, AT Header, Thermoplastic, Armor IPX™, 1x12 Position, Size 16, A Key - Gold Plating	13A	250V	
	AT13-24PAB-BM01	Large, AT Header, Thermoplastic, Armor IPX™, 2x12 Position, Size 16, AB Key - Gold Plating	13A	250V	
	AT13-36PABC-BM01	Large, AT Header, Thermoplastic, Armor IPX™, 3x12 Position, Size 16, ABC Key - Gold Plating	13A	250V	
	AT13-48PABCD-BM01	Large, AT Header, Thermoplastic, Armor IPX™, 4x12 Position, Size 16, ABCD Key - Gold Plating	13A	250V	
	ATM13-12PA-GR01	Standard, ATM Header, Thermoplastic, Armor IPX™, 1x12 Position, Size 20, A Key - Gold Plating	7.5A	250V	
	ATM13-12PB-GR01	Standard, ATM Header, Thermoplastic, Armor IPX™, 1x12 Position, Size 20, B Key - Gold Plating	7.5A	250V	
	ATM13-12PC-GR01	Standard, ATM Header, Thermoplastic, Armor IPX™, 1x12 Position, Size 20, C Key - Gold Plating	7.5A	250V	
	ATM13-12PD-GR01	Standard, ATM Header, Thermoplastic, Armor IPX™, 1x12 Position, Size 20, D Key - Gold Plating	7.5A	250V	
	ATM13-12PA-R008	Standard, ATM Header, Thermoplastic, Armor IPX™, 1x12 Position, Size 20, A Key - Tin Plating	7.5A	250V	
	ATM13-12PB-R008	Standard, ATM Header, Thermoplastic, Armor IPX™, 1x12 Position, Size 20, B Key - Tin Plating	7.5A	250V	
	ATM13-12PC-R008	Standard, ATM Header, Thermoplastic, Armor IPX™, 1x12 Position, Size 20, C Key - Tin Plating	7.5A	250V	
	ATM13-12PD-R008	Standard, ATM Header, Thermoplastic, Armor IPX™, 1x12 Position, Size 20, D Key - Tin Plating	7.5A	250V	
	ATM13-12PA-12PB-BM01	Standard, ATM Header, Thermoplastic, Armor IPX™, 2x12 Position, Size 20, A&B Key - Gold Plating	7.5A	250V	
	ATM13-12PA-12PC-BM01	Standard, ATM Header, Thermoplastic, Armor IPX™, 2x12 Position, Size 20, A&C Key - Gold Plating	7.5A	250V	
	ATM13-12PA-12PD-BM01	Standard, ATM Header, Thermoplastic, Armor IPX™, 2x12 Position, Size 20, A&D Key - Gold Plating	7.5A	250V	
	ATM13-12PB-12PC-BM01	Standard, ATM Header, Thermoplastic, Armor IPX™, 2x12 Position, Size 20, B&C Key - Gold Plating	7.5A	250V	
	ATM13-12PB-12PD-BM01	Standard, ATM Header, Thermoplastic, Armor IPX™, 2x12 Position, Size 20, B&D Key - Gold Plating	7.5A	250V	
	ATM13-12PC-12PD-BM01	Standard, ATM Header, Thermoplastic, Armor IPX™, 2x12 Position, Size 20, C&D Key - Gold Plating	7.5A	250V	
	ATM13-12PA-12PB-BM03	Standard, ATM Header, Thermoplastic, Armor IPX™, 2x12 Position, Size 20, A&B Key - Tin Plating	7.5A	250V	
	ATM13-12PA-12PC-BM03	Standard, ATM Header, Thermoplastic, Armor IPX™, 2x12 Position, Size 20, A&C Key - Tin Plating	7.5A	250V	
	ATM13-12PA-12PD-BM03	Standard, ATM Header, Thermoplastic, Armor IPX™, 2x12 Position, Size 20, A&D Key - Tin Plating	7.5A	250V	
	ATM13-12PB-12PC-BM03	Standard, ATM Header, Thermoplastic, Armor IPX™, 2x12 Position, Size 20, B&C Key - Tin Plating	7.5A	250V	
	ATM13-12PB-12PD-BM03	Standard, ATM Header, Thermoplastic, Armor IPX™, 2x12 Position, Size 20, B&D Key - Tin Plating	7.5A	250V	
	ATM13-12PC-12PD-BM03	Standard, ATM Header, Thermoplastic, Armor IPX™, 2x12 Position, Size 20, C&D Key - Tin Plating	7.5A	250V	
	AIPXE-325XBP-01	Standard, Black, Blank Header Plate, Thermoplastic, Armor IPX™	-	-	
	AIPXE-5X650BP-01	Large, Black, Blank Header Plate, Thermoplastic, Armor IPX™	-	-	

Standard ArmorlPX™ Enclosure Dimensions (mm)



ILLUSTRATIONS SHOWN FOR REFERENCE ONLY.
SEE ACTUAL DATASHEET FOR SPECIFIC DIMENSIONS.

Large ArmorlPX™ Enclosure Dimensions (mm)

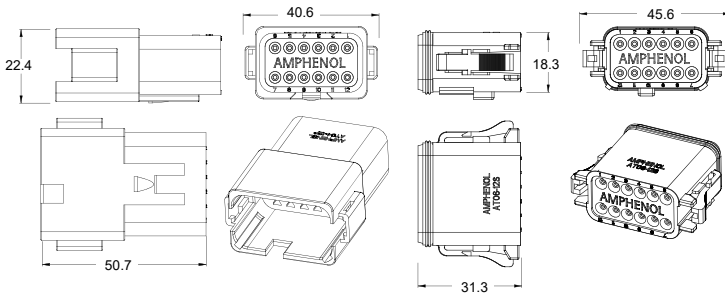


ILLUSTRATIONS SHOWN FOR REFERENCE ONLY.
SEE ACTUAL DATASHEET FOR SPECIFIC DIMENSIONS.

Standard AT Series™ Dimensions (mm)

Receptacle

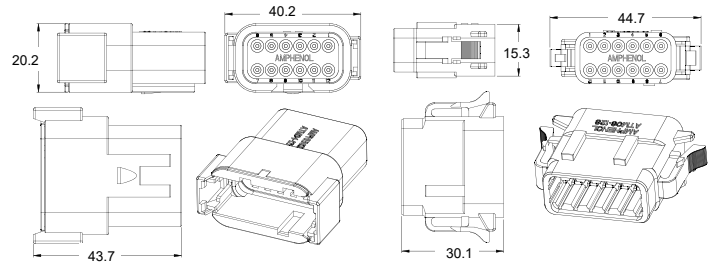
Plug



Standard ATM Series™ Dimensions (mm)

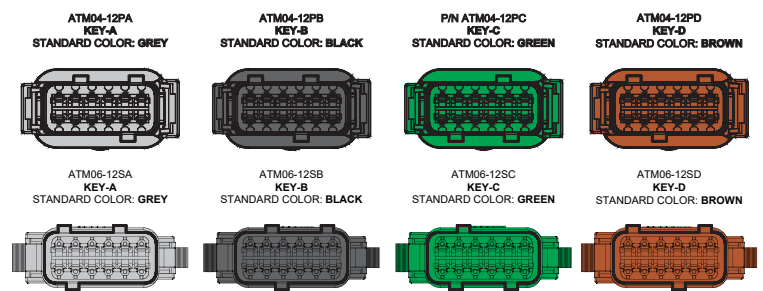
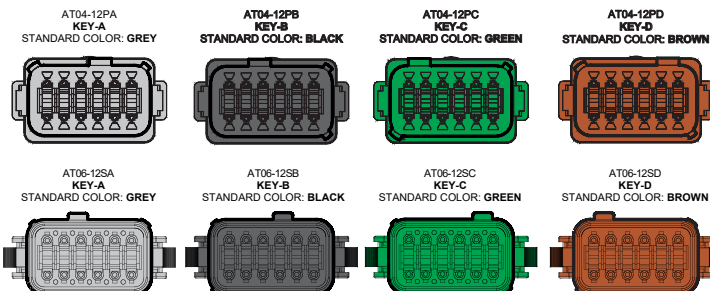
Receptacle

Plug



Standard AT Series™ Keying Layouts

Standard ATM Series™ Keying Layouts



For more information, contact: Customer Service, +1 800 394 7732, csr@amphenol-sine.com

© 2019 Amphenol Sine Systems Corporation, 44274 Morley Drive, Clinton Township MI 48036 USA. www.amphenol-sine.com. Customer Service +1 800 394 7732
Every effort has been made to ensure that the information contained in this document is accurate at the time of publication. Specifications or information stated in this document are subject to change without notice.