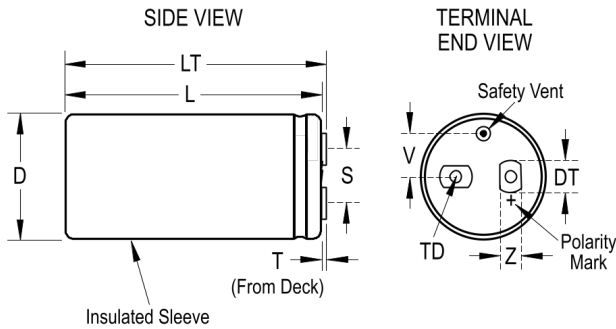


ALS30A682NT450

Aliases (A331TW682M450A)

ALS30, Aluminum Electrolytic, 6,800 uF, 20%, 450 VDC, -40/+85°C



Click [here](#) for the 3D model.

Dimensions

| | |
|----|-----------------|
| D | 77mm +/-1mm |
| L | 220mm +/-2mm |
| T | 5.5mm +/-0.5mm |
| S | 31.8mm +/-0.5mm |
| DT | 13mm +/-0.5mm |
| LT | 224.5mm +/-1mm |
| TD | 10mm MIN |
| V | 19mm NOM |
| Z | 10mm NOM |

Packaging Specifications

| | |
|-----------|-----------|
| Sleeving | Yes |
| Packaging | Bulk, Box |

General Information

| | |
|------------------|---|
| Series | ALS30 |
| Dielectric | Aluminum Electrolytic |
| Description | Screw Terminal, Aluminum Electrolytic |
| RoHS | Yes |
| AEC-Q200 | No |
| Component Weight | 1450 g |
| Notes | Dimensions D And L Include Sleeving. MS (MxH) = M12x16. Mounting Clamp (Sold Separately): V11 |
| Shelf Life | 156 Weeks |

Specifications

| | |
|-----------------------|---|
| Capacitance | 6,800 uF |
| Capacitance Tolerance | 20% |
| Voltage DC | 450 VDC, 495 VDC (Surge) |
| Temperature Range | -40/+85°C |
| Rated Temperature | 85°C |
| Life | 20000 Hrs (Rated Voltage And Ripple Current At 85C), 40000 Hrs (Rated Voltage At 85C) |
| Resistance | 21 mOhms (100Hz 20C), 14 mOhms (10kHz 20C) |
| Ripple Current | 27.4 Amps (100Hz 85C), 38.8 Amps (10kHz 85C) |
| Leakage Current | 6000 uA (5min 20°C) |