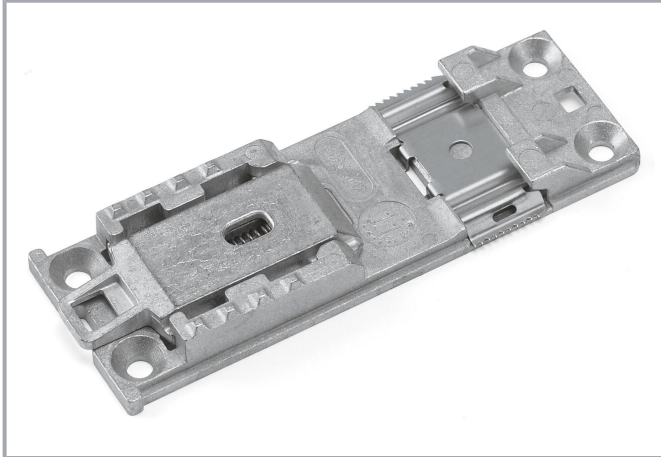


Data sheet | Item number: 787-897

Carrier rail adapter made of zinc die-cast; for mounting 787-8xx devices to a DIN 35 rail



www.wago.com/787-897



Item description

WAGO's DIN-rail adapter (787-897) permits horizontal mounting of 787-8xx devices.

Mounting the adapter to the device is performed by sliding both single parts into the guide slots of the cooling element and then screwing, allowing the position to be easily changed.

Data

Physical data

Width	37 mm / 1.457 inches
Height	102.5 mm / 4.035 inches
Depth	10.5 mm / 4.134 inches

Mechanical Data

Mounting type	Pressing the adapter into the guide slot
Mounting type	DIN-35 rail

Material Data

Material	Zinc die-cast
Weight	96 g

Subject to changes. Please also observe the further product documentation!

WAGO GmbH & Co. KG
Hansastr. 27
32423 Minden
Phone: +49571 887-0 | Fax: +49571 887-169
Email: info.de@wago.com | Web: www.wago.com

Do you have any questions about our products?
We are always happy to take your call at +49 (571) 887-44222.



Commercial data

Product Group	6 (INTERFACE ELECTRONIC)
eCl@ss 10.0	27-37-04-19
eCl@ss 9.0	27-37-04-19
ETIM 8.0	EC001024
ETIM 7.0	EC001024
PU (SPU)	1 pcs
Packaging type	box
Country of origin	DE
GTIN	4050821445418
Customs tariff number	7907000000

Environmental Product Compliance

RoHS Compliance Status	Compliant, No Exemption
------------------------	-------------------------

Downloads

Documentation

Bid Text

787-897 X81 - Datei	2019 Feb 19	xml 3.3 kB	Download
787-897 doc - Datei	2015 Feb 6	doc 25.6 kB	Download

Instruction Leaflet

Tragschienenadapter Guss Bohrschablone		pdf 184.5 kB	Download
---	--	-----------------	----------

Additional Information

Disposal and Recycling Electrical and electronic equipment, Batteries, Packaging	V 1.1.0 2022 Aug 18	pdf 2.2 MB	Download
---	------------------------	---------------	----------

CAD/CAE-Data

CAE data

WSCAD Universe 787-897		URL	Download
------------------------	--	-----	----------

Subject to changes. Please also observe the further product documentation!



Environmental Product Compliance

Compliance Search

Environmental Product Compliance 787-897

URL

Download

Carrier rail adapter made of zinc die-cast; for mounting 787-8xx devices to a DIN 35 rail

Installation Notes

Subject to changes. Please also observe the further product documentation!

WAGO GmbH & Co. KG

Hansastr. 27

32423 Minden

Phone: +49571 887-0 | Fax: +49571 887-169

Email: info.de@wago.com | Web: www.wago.com

Do you have any questions about our products?

We are always happy to take your call at +49 (571) 887-44222.