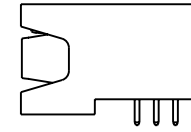
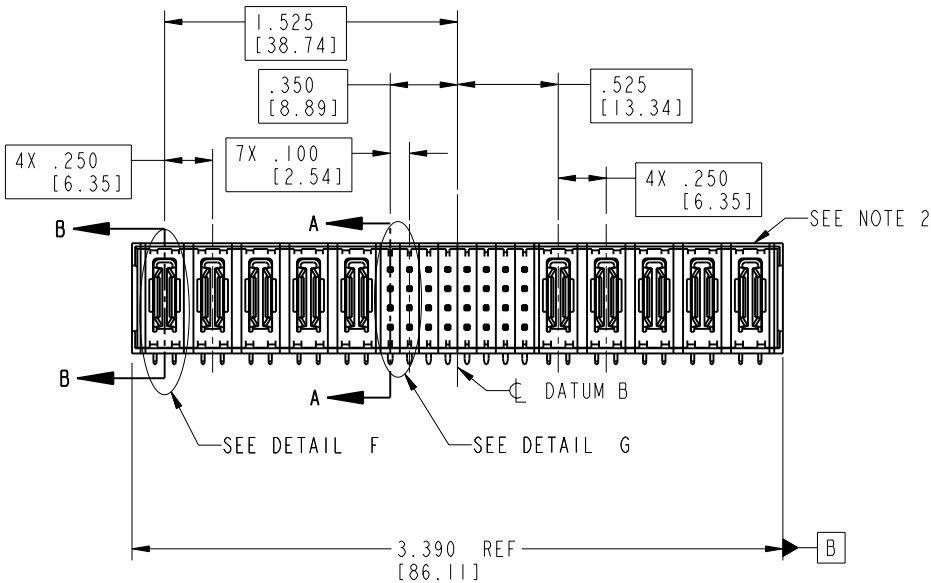


Tous droits strictement réservés. Reproduction ou communication o des liens interdite sous quelque forme que ce soit sans autorisation écrite du propriétaire. Propriete de c FCI. Droits de reproduction FCI.

All rights strictly reserved. Reproduction or issue to third parties in any form whenever is not permitted without written authority from the proprietor. Property of FCI. Copyright FCI.



PRODUCT NO.	HOUSING NO.	ROWS	POWER					SIGNAL								POWER				
			P1	P2	P3	P4	P5	1	2	3	4	5	6	7	8	P6	P7	P8	P9	P10
51734-005_	51729-0050320500	D C B A	PA	PA	PA	PA	PA	TTTTTTTT	TTTTTTTT	TTTTTTTT	TTTTTTTT	TTTTTTTT	TTTTTTTT	TTTTTTTT	TTTTTTTT	PA	PA	PA	PA	PA



CONFIDENTIAL

CODE	PART NO. FOR 51734-005	PART NO. FOR 51734-005LF	DIM "M" MATING LENGTH	CONTACT TYPE
U	94523-A143B	94523-A143BLF	.270 [6.86]	SIGNAL
T	94523-A142B	94523-A142BLF	.270 [6.86]	SIGNAL
S	94523-A141B	94523-A141BLF	.270 [6.86]	SIGNAL
PA	51885-000001	51885-000002	N/A [N/A]	POWER
E	94523-A128B	94523-A128BLF	.220 [5.59]	SIGNAL

mat'l code				tolerances unless otherwise specified		INSPECTION	
ltr	ecn no.	dr	date	linear	.XX±.01/0.X±0.3	COPY	
A	V03-0693	MEM	6/23/03		.XXX±.005/0.XX±0.13	projection	
B	DG05-0558	GuoJM	12/20/05	angles	.XXX±.0020/0.XXX±0.051	INCH/MM	
				dr	M. MOSTOLLER 6/23/03	scale	
				engr	M. MOSTOLLER 6/23/03	1:1	
				chr	H. BREWBAKER 6/23/03		
				appd	M. MOSTOLLER 6/23/03		
sheet index	revision sheet	B	B	B			
		1	2	3			

A		FCI		www.fciconnect.com	
title	5P + 32S + 5P		product family	PwrBlade	code
RIGHT ANGLE SOLDER HEADER			size	dwg no	210
			A	51734-005	sheet 1 of 3

coge code 22526

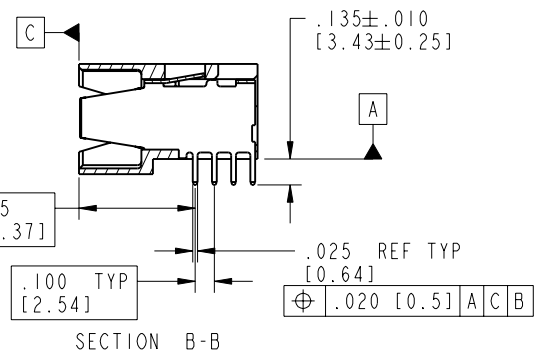
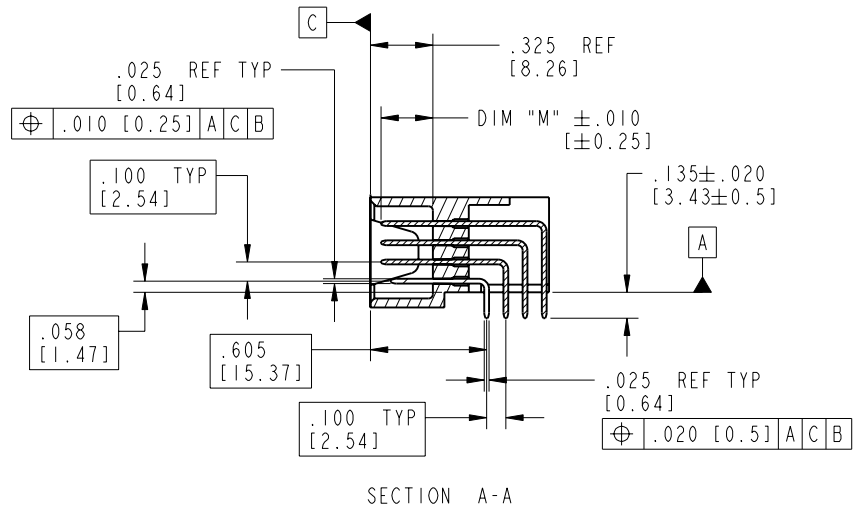
Pro/E

Tous droits strictement réservés. Reproduction ou communication o des liens interdite sous quelque forme que ce soit sans autorisation écrite du propriétaire. Propriete de c FCI. Droits de reproduction FCI.

FCI

All rights strictly reserved. Reproduction or issue to third parties in any form, whatever is not permitted without written authority from the proprietor. Property of FCI. Copyright FCI.

PRODUCT NUMBER
51734-005__



CONFIDENTIAL

mat'l code		tolerances unless otherwise specified		INSPECTION		FCI		www.fciconnect.com	
lfr	ecn no.	dr	date	linear	.XX±.01/0.X±0.3	COPY	projection	title	5P + 32S + 5P
B				angles	.XXX±.005/0.XX±0.13 .XXX±.0020/0.XXX±0.051 0°±°	INCH/MM	scale	RIGHT ANGLE SOLDER HEADER	
		dr		engr	M. MOSTOLLER 6/23/03			product family	PwrBlade
		chr		appr	M. MOSTOLLER 6/23/03			code	210
					H. BREWBAKER 6/23/03			size	2 of 3
					M. MOSTOLLER 6/23/03			size	51734-005
sheet index	revision sheet							code	22526

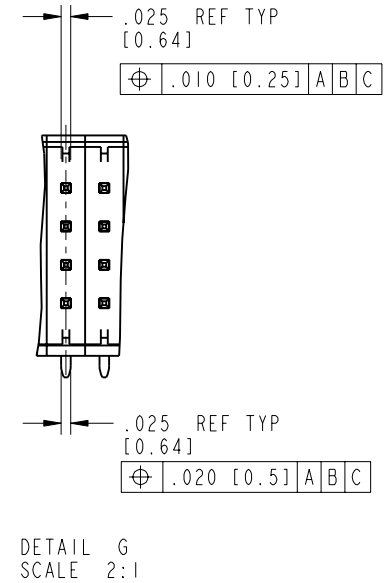
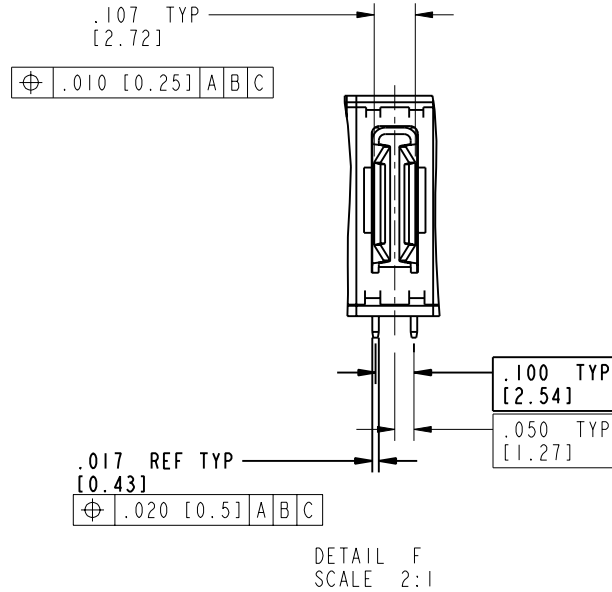
Pro/E 3 coge code 22526 4

Tous droits strictement reserves. Reproduction ou communication o des liers interdite sous quelque forme que ce soit sans autorisation ecrite du proprietaire. Propriete de c FCI. Droits de reproduction FCI.

FCI

All rights strictly reserved. Reproduction or issue to third parties in any form, whatever is not permitted without written authority from the proprietor. Property of FCI. Copyright FCI.

PRODUCT NUMBER
51734-005__



NOTES:

- DIMENSIONS AND TOLERANCES ARE IN ACCORDANCE WITH ASME Y14.5M, 1994 UNLESS OTHERWISE SPECIFIED.
- MANUFACTURER'S NAME, P/N AND DATE CODE TO APPEAR ON THIS SURFACE AS PER GS-24-002.
- PACKAGED PER BUS-14-437. LEAD FREE PRODUCTS DESIGNATED WITH AN "LF" SUFFIX. MUST COMPLY WITH GS-14-920.

CONFIDENTIAL

mat'l code				tolerances unless otherwise specified		INSPECTION	FCI		www.fciconnect.com	
lfr	ecn no.	dr	date	linear	.XX±.01/0.X±0.3	COPY	title	5P + 32S + 5P RIGHT ANGLE SOLDER HEADER		
B					.XXX±.005/0.XX±0.13	projection				
				angles	.XXX±.0020/0.XXX±0.051	INCH/MM scale 1:1	product family	PwrBlade		
				dr	0°±2°					
				engr	M. MOSTOLLER 6/23/03	size	dwg no	code 210		
				chr	M. MOSTOLLER 6/23/03					
				appd	H. BREWBAKER 6/23/03					
sheet index	revision sheet						A	51734-005		sheet 3 of 3

Pro/E

coge code 22526

PDM: Rev:B

STATUS: **Released**

Printed: Dec 20, 2010