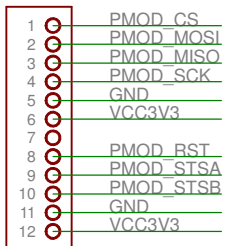


Pmod Connector



J1

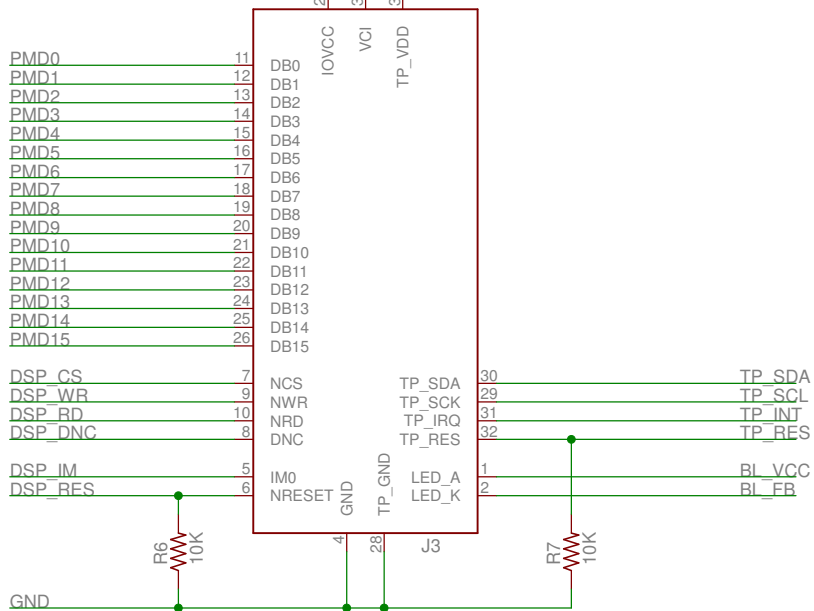
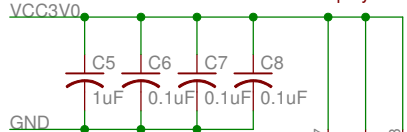
External Power

Note: 2.7V <= VEXT <= 6.0V

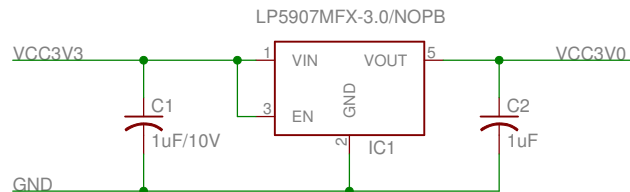


J2

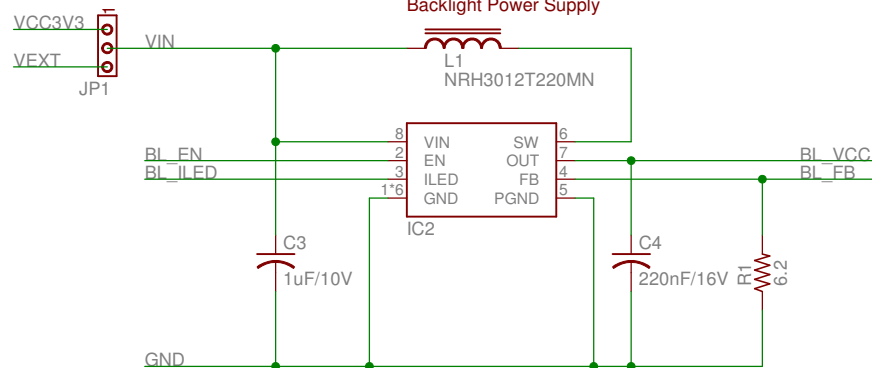
TFT Display Panel



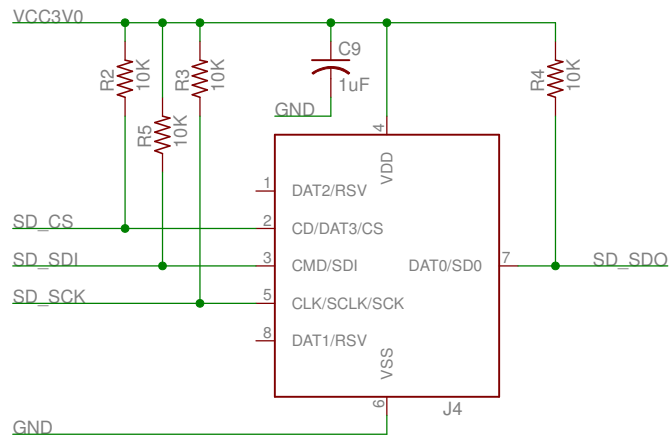
Main On-Board Supply



Backlight Power Supply



uSD Card Connector



PmodMTDS

Copyright@ 2016

Engineer: NEA

SHEET: PMOD and Display Connectors

Author: GMA

TITLE: PmodMTDS

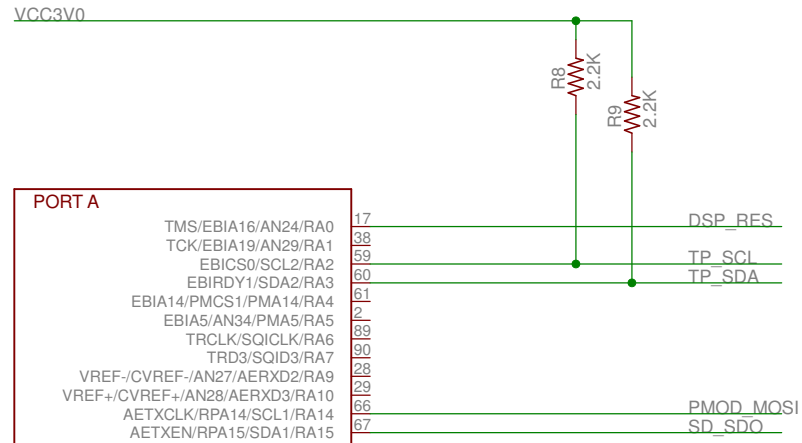
Rev: A.0

Doc#: 500-341

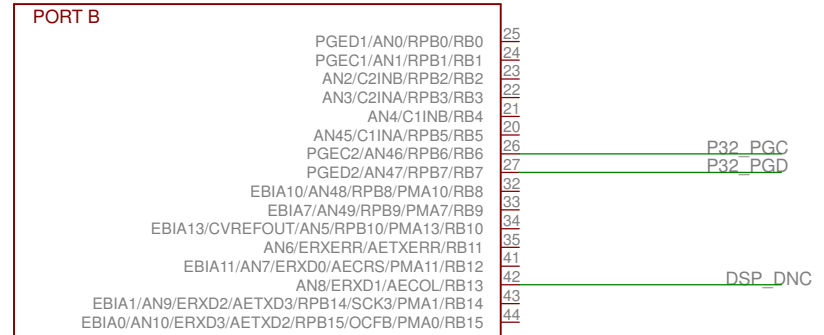
Date: 6/2/2016

Sheet: 1/3

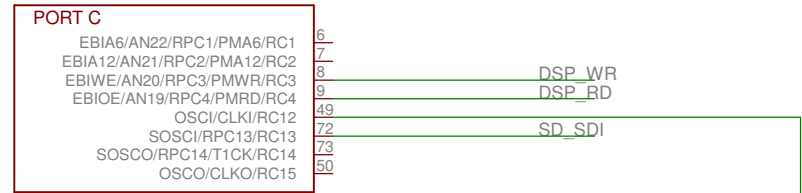




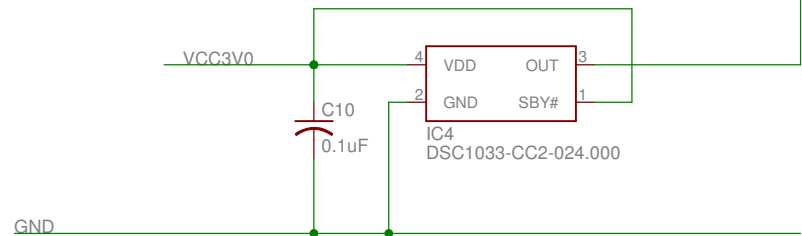
IC3PA



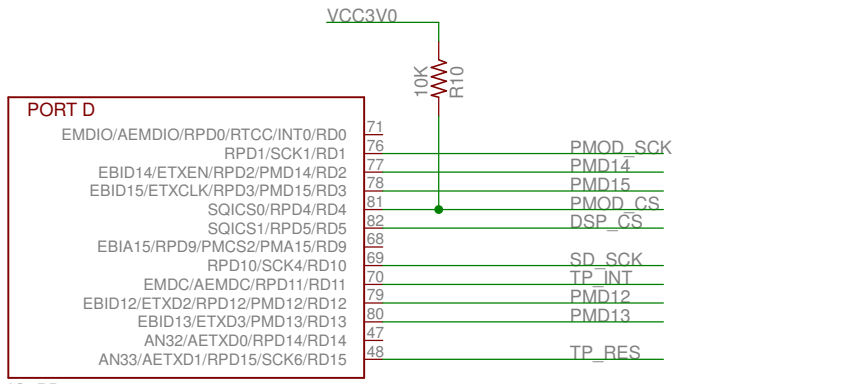
IC3PB



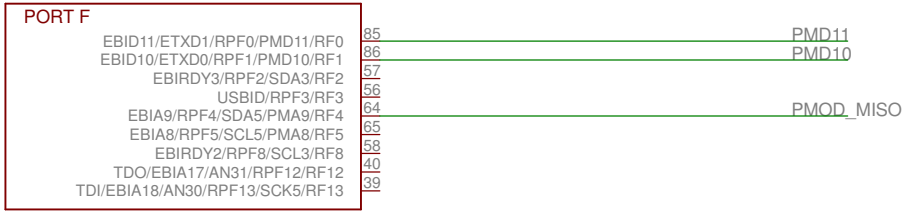
IC3PC



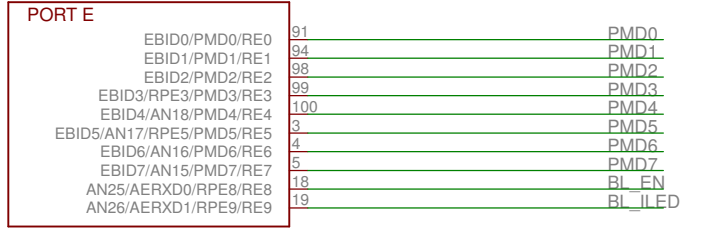
PmodMTDS		Copyright@ 2016
		Engineer: NEA
SHEET: PIC32 Ports		Author: GMA
TITLE: PmodMTDS		Rev: A.0
Doc#: 500-341	Date: 6/2/2016	Sheet: 2/3



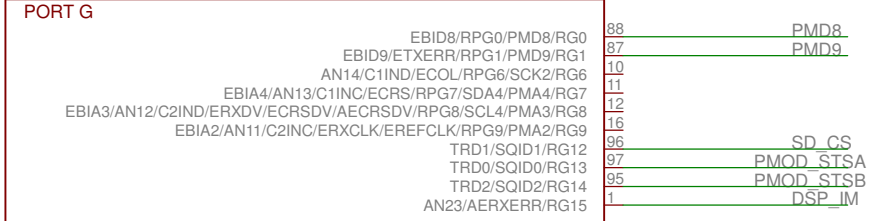
IC3PD



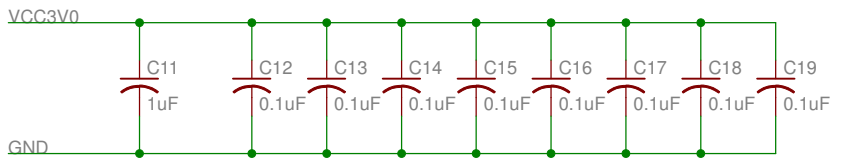
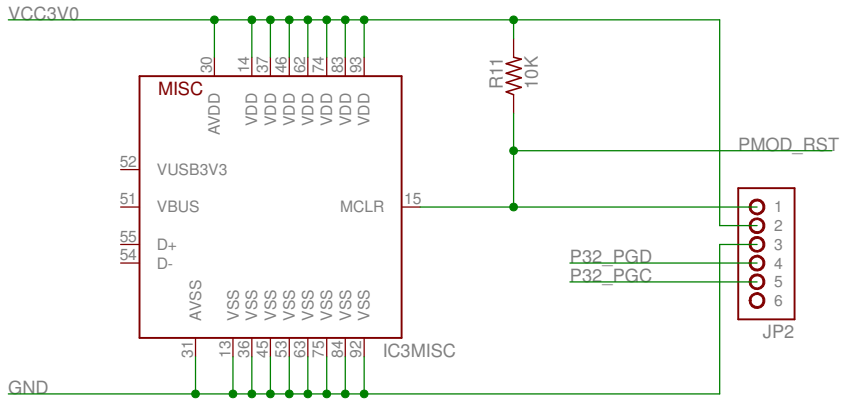
IC3PF



IC3PE



IC3PG



PmodMTDS		Copyright@ 2016
		Engineer: NEA
SHEET: PIC32 Ports	Author: GMA	
TITLE: PmodMTDS	Rev: A.0	
Doc#: 500-341	Date: 6/2/2016	Sheet: 3/3