

THIS DRAWING IS UNPUBLISHED.

RELEASED FOR PUBLICATION

© COPYRIGHT - TE Connectivity Ltd.

ALL RIGHTS RESERVED.

REVISIONS

P	LTR	DESCRIPTION	DATE	DWN	APVD
	B1	CUTTING BURR DETAILS ADDED	19NOV2018	RK	PS

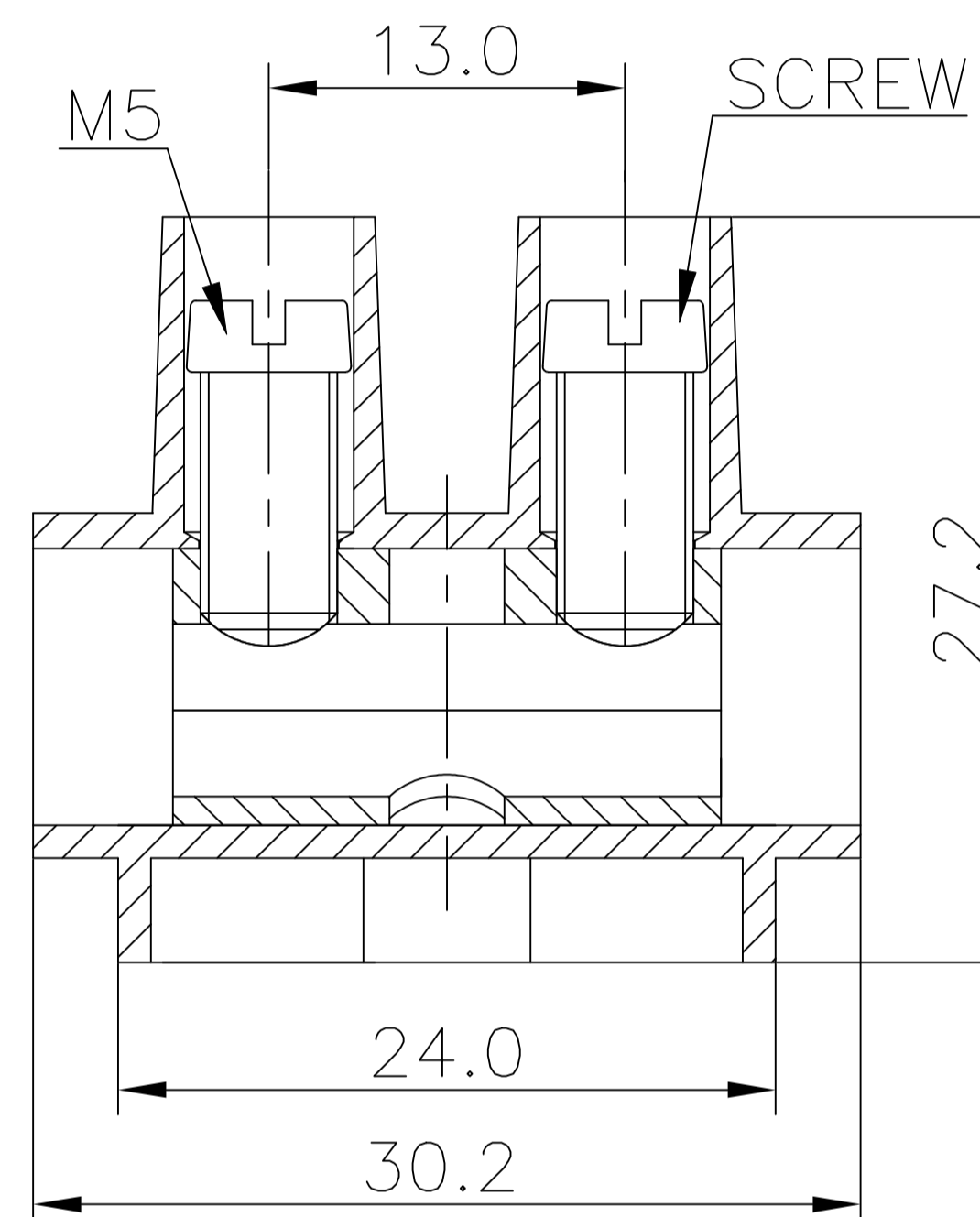
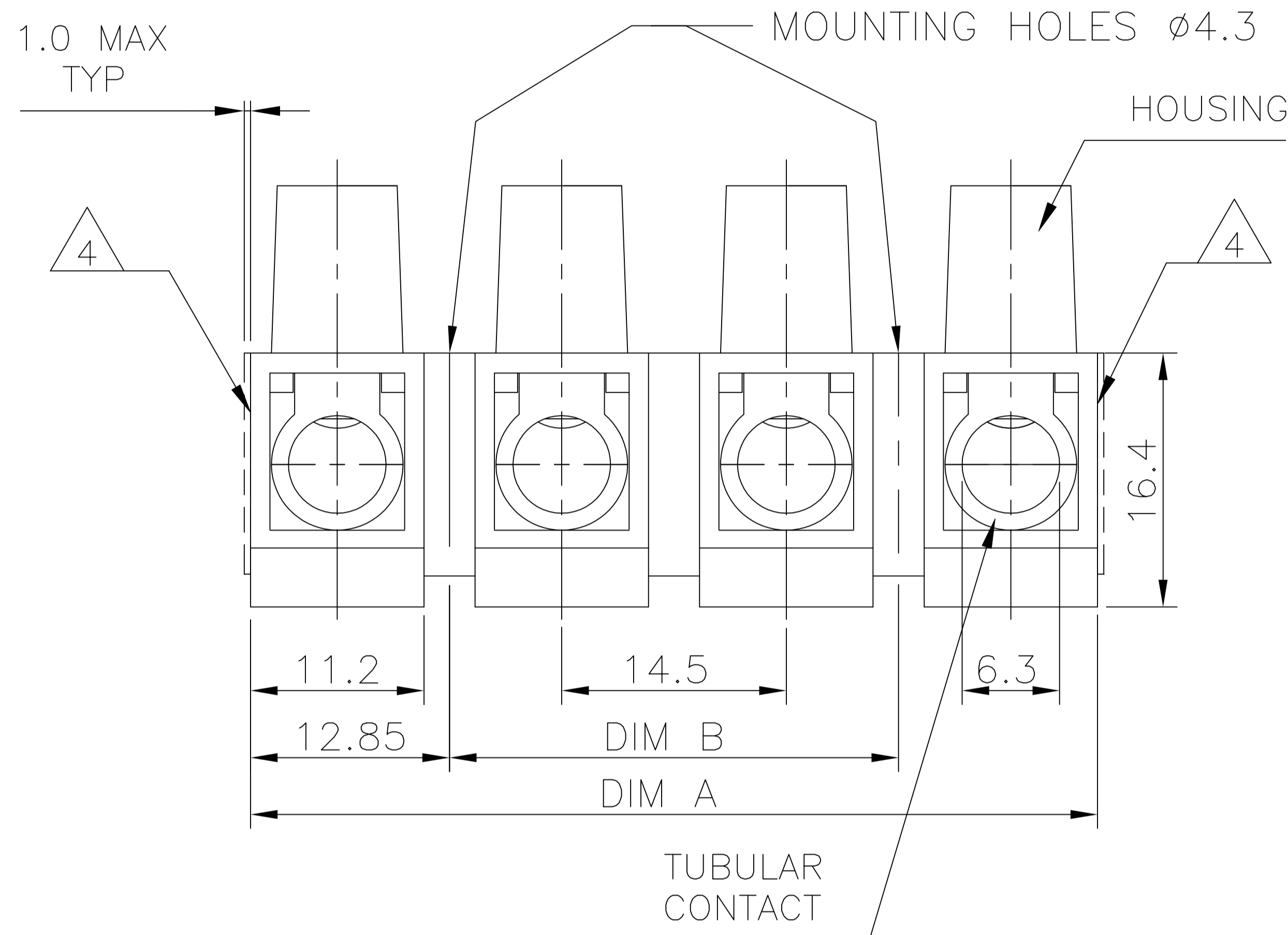
- MATERIAL:  
HOUSING: POLYAMIDE 6 UL94V-2.  
COLOR: NATURAL (OFF WHITE).  
TUBULAR CONTACT: BRASS, TIN PLATED.  
SCREW: M5, STEEL, ZINC PLATED W/ NON-HEXAVALENT CHROMATE (CHROME III).

- ELECTRICAL:  
CURRENT RATING: 65A, 600V.  
WIRE RANGE: 6-14 AWG.

- CONTINUOUS WORKING TEMP.: 100°C MAX.

4 CUTTING PROJECTION CAN BE ON BOTH SIDES DEPENDING ON CUTTING LOCATION.

- CUTTING BURR MAX. 1mm ALLOWED.



	PHILLIPS HEAD	145.0	170.7	12	TSB200012K/12PM	2-1776892-2
	PHILLIPS HEAD	72.5	98.2	7	TSB20007K/7PM	1-1776892-7
OBSOLETE	PHILLIPS HEAD	43.5	69.2	5	TSB20005K/5PM	1-1776892-5
OBSOLETE	SLOTTED HEAD	145.0	170.7	12	TSB200012K/12	1-1776892-2
	SLOTTED HEAD	72.5	98.2	7	TSB20007K/7	1776892-7
OBSOLETE	SLOTTED HEAD	43.5	69.2	5	TSB20005K/5	1776892-5
	SCREW TYPE	DIM B	DIM A	NO OF POS	T & B PART NUMBER	TE PART NUMBER

THIS DRAWING IS A CONTROLLED DOCUMENT.		DWN S SCHLEGEL 9/25/06	<b>TE Connectivity Ltd.</b>				
DIMENSIONS: mm		CHK C RICHARD 9/25/06					
TOLERANCES UNLESS OTHERWISE SPECIFIED:		APVD C RICHARD 9/25/06	NAME 14.5MM PITCH, 65A HIGH VOLTAGE VERSION				
0 PLC ± - 1 PLC ± 0.3 2 PLC ± 0.25 3 PLC ± - 4 PLC ± - ANGLES ± 2°		PRODUCT SPEC -	-				
MATERIAL SEE NOTES		FINISH SEE NOTES	APPLICATION SPEC -	SIZE A3	CAGE CODE 00779	DRAWING NO C=1776892	RESTRICTED TO -
			WEIGHT -	SCALE NTS	SHEET 1 of 1	REV B1	
CUSTOMER DRAWING							