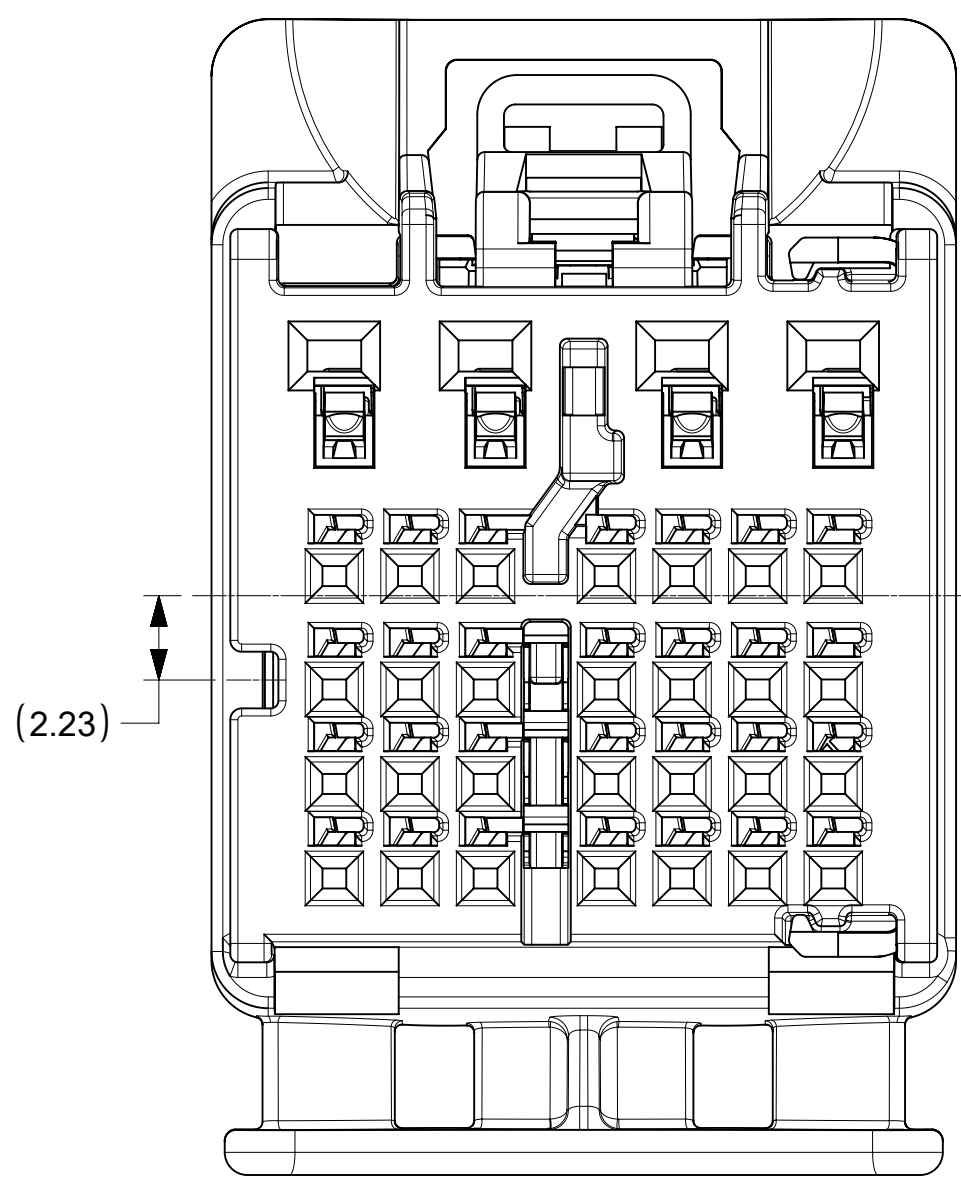
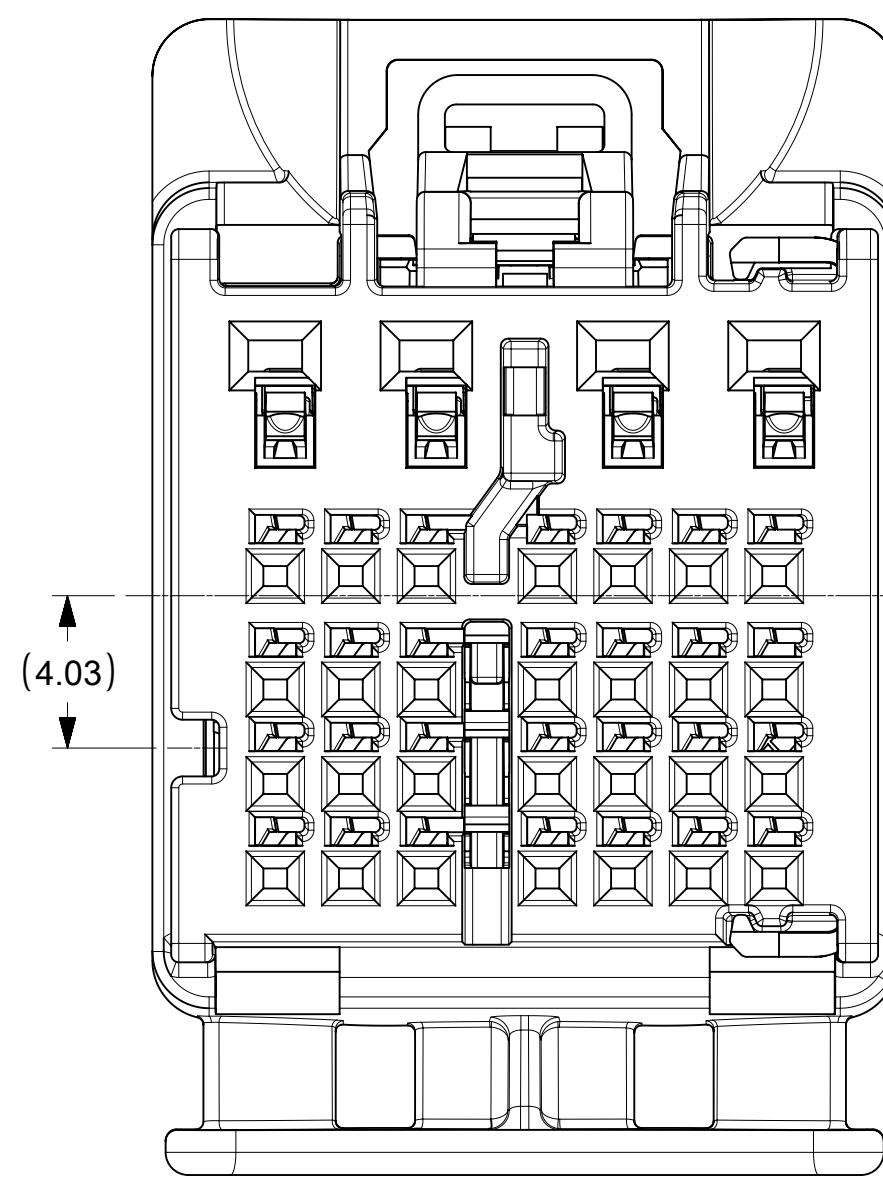


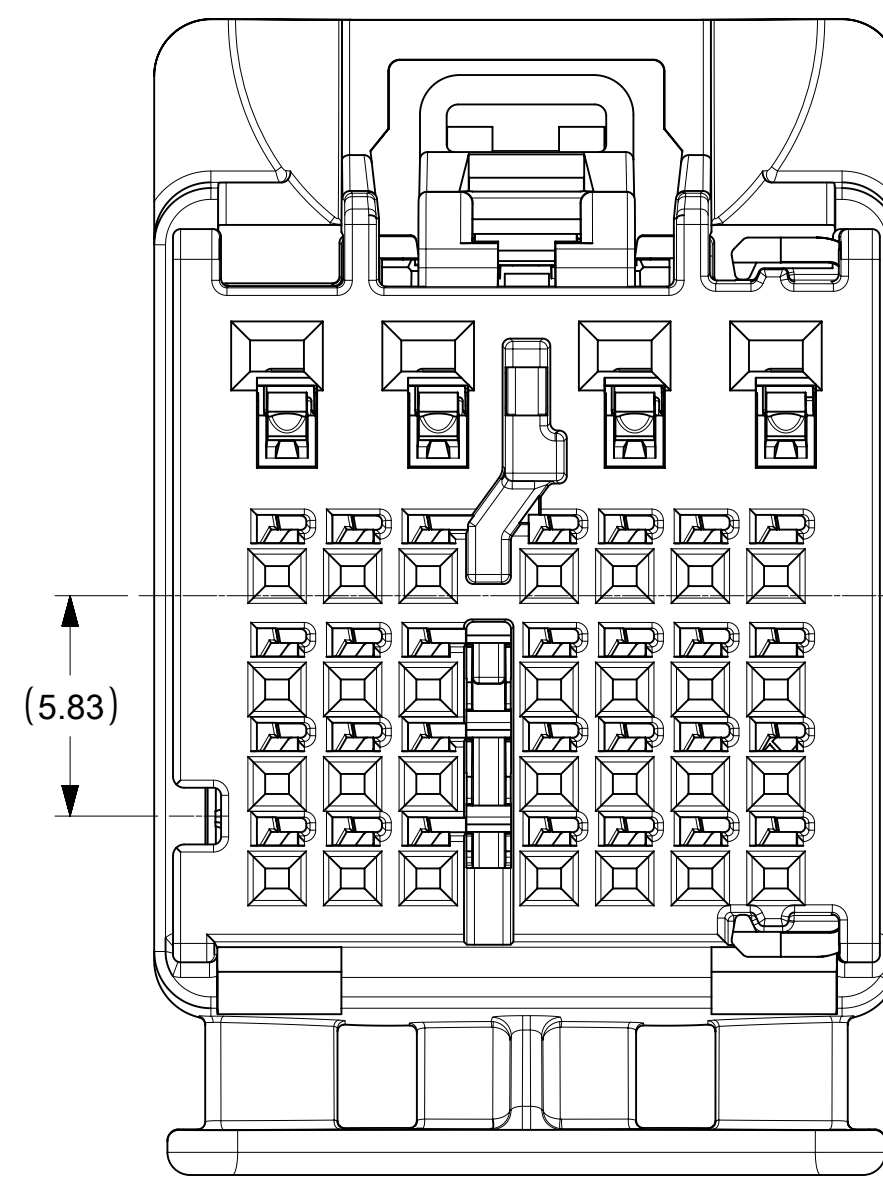
32 WAY CONNECTOR ASSEMBLY
KEY 1 & KEY 5



32 WAY CONNECTOR ASSEMBLY
KEY 2 & KEY 6



32 WAY CONNECTOR ASSEMBLY
KEY 3 & KEY 7



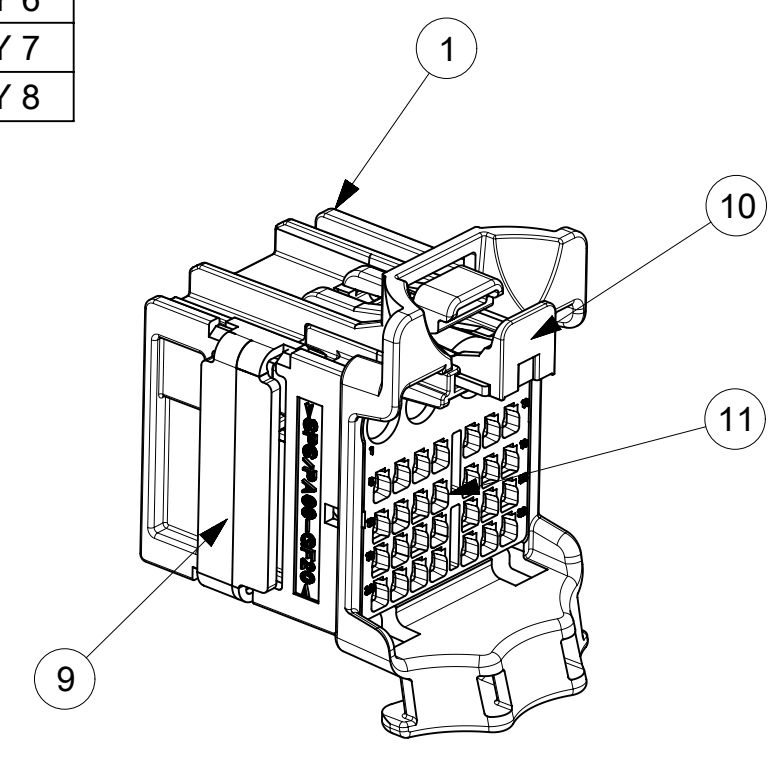
32 WAY CONNECTOR ASSEMBLY
KEY 4 & KEY 8

- NOTES: VALID UNLESS OTHERWISE SPECIFIED
- GENERAL:
 - APPLICATION SPECIFICATION SEE: AS-160014-001
 - PRODUCT SPECIFICATION SEE: PS-160014-001
 - PACKAGING SPECIFICATION PER MOLEX DRAWING: PK-31302-266
 - PARTS MUST BE IN COMPLIANCE TO MOLEX CHEMICAL SUBSTANCES FOR PRODUCTS AND PACKAGING SPECIFICATION: ES-40000-5016
 - DATA MUST BE SUBMITTED UNDER THE MOLEX PART NUMBER TO IMDS (COMPANY ID#13255)
 - DESIGN - MATERIALS:
 - SEE BOM TABLE
 - DESIGN - GEOMETRY:
 - ALL GRAPHIC DATA IS BASIC (NO TOLERANCE) AND MUST BE TAKEN FROM THE DATA FILE AT ITS LATEST REVISION.
 - PRODUCT DESIGN MODEL NUMBER(S): SEE BOM TABLE
 - GEOMETRIC DIMENSIONS AND TOLERANCES PER ASME Y14.5-2009
 - EDGES AND UNDIMENSIONED DETAILS PER ISO13715
 - CORNERS SHOWN AS SHARP TO BE R 0.2 MAX.
 - MARKED TEXT TO INCLUDE RECYCLING CODE, CAVITY ID, VENDOR IDENTIFICATION AND CUSTOMER MATERIAL NUMBER.
 - LASER ETCHED DATE CODE
 - 1ST THROUGH 2ND DIGIT = CALENDAR YEAR
 - 3RD THROUGH 5TH DIGIT = "DAY #" OF YEAR
 - 6TH THROUGH 7TH DIGIT = HOUR OF DAY
 - 8TH THROUGH 9TH DIGIT = MINUTE OF HOUR
 - 10TH THROUGH 11TH DIGIT = SECOND OF MINUTE
 - DESIGN - MANUFACTURING:
 - VISUAL DEFECTS SHALL MEET COSMETIC STANDARD PS-45499-002 (Class B)

PART NUMBER	PLATING	SUPPLIER	WIRE GAGE (mm2)	TERMINAL FAMILY	WIRE SPECIFICATION
200096-0101	TIN PLATING	MOLEX	0.35	TAK FAMILY (0.5 mm)	VW 60306 OR GMW 15626 (SEE APPLICATION SPECIFICATION FOR MORE DETAILS)
200096-0201	TIN PLATING	MOLEX	0.13	TAK FAMILY (0.5 mm)	
2272196-2	TIN PLATING	TE	0.35	Generation 50 Locking Lance (0.5mm)	SAE/ J1128 THIN WALL INSULATION
2272196-1	TIN PLATING	TE	0.13	Generation 50 Locking Lance (0.5mm)	
13881789	TIN PLATING	DELPHI	0.35 - 0.5	TAXI TERM OCS 1.2	
13881788	TIN PLATING	DELPHI	0.75 - 0.8		
15542382	TIN PLATING	DELPHI	0.8 - 1.0		
15542380	TIN PLATING	DELPHI	1.25 - 1.5		
SMSA-A031T-M1.2	TIN PLATING	JST	0.5 - 0.75	MSA 1.2mm TERMINAL	GMW 15626 INSULATION TYPE FLR (REGULAR THIN WALL)
SMSA-A041T-M1.2	TIN PLATING	JST	1.0 - 1.5	MSA 1.2mm TERMINAL	

ITEM	DESCRIPTION	COLOR	RECYCLING CODE	WEIGHT (GRAMS)	RIB OPTION	NO OF ITEMS REQUIRED														
1	OUTER SHROUD - KEY 1	BLACK	SPS/PA66-GF20	3.2	A	1														
2	OUTER SHROUD - KEY 2	BLUE	SPS/PA66-GF20	3.2	A		1													
3	OUTER SHROUD - KEY 3	DARK GRAY	SPS/PA66-GF20	3.2	A			1												
4	OUTER SHROUD - KEY 4	PURPLE C	SPS/PA66-GF20	3.2	A				1											
5	OUTER SHROUD - KEY 5	PINK B	SPS/PA66-GF20	3.2	B					1										
6	OUTER SHROUD - KEY 6	TBD	SPS/PA66-GF20	3.2	B						1									
7	OUTER SHROUD - KEY 7	LIGHT BROWN	SPS/PA66-GF20	3.2	B							1								
8	OUTER SHROUD - KEY 8	TBD	SPS/PA66-GF20	3.2	B								1							
9	ISL	NATURAL	SPS-GF30	0.37	N/A	1	1	1	1	1	1	1	1	1	1	1	1	1	1	1
10	CPA	NATURAL	PA66-GF50	0.08	N/A	1	1	1	1	1	1	1	1	1	1	1	1	1	1	1
11	INNER HOUSING	STONE GRAY	SPS/PA66-GF20	1.75	N/A	1	1	1	1											
12	INNER HOUSING	STONE GRAY	SPS/PA66-GF20	1.75	N/A							1	1	1	1					

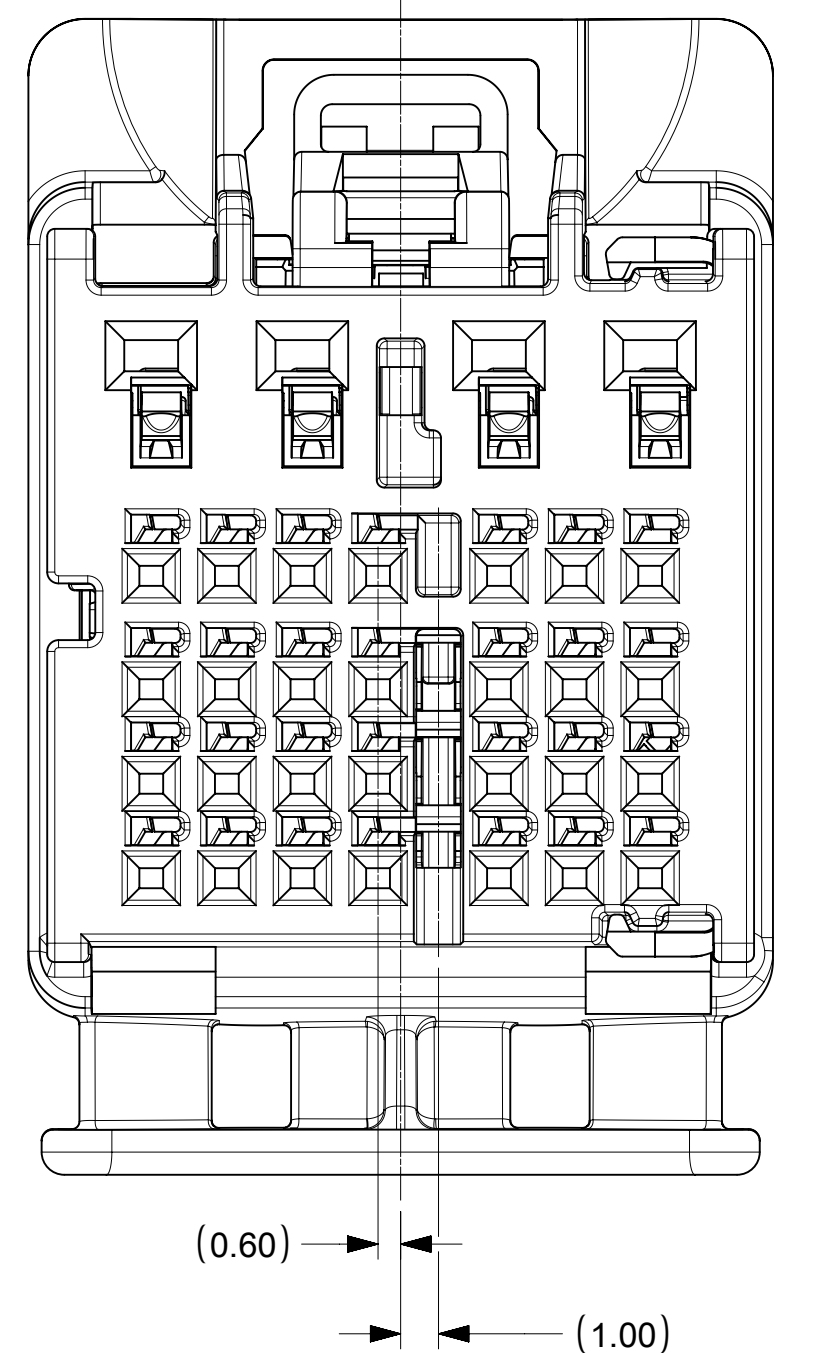
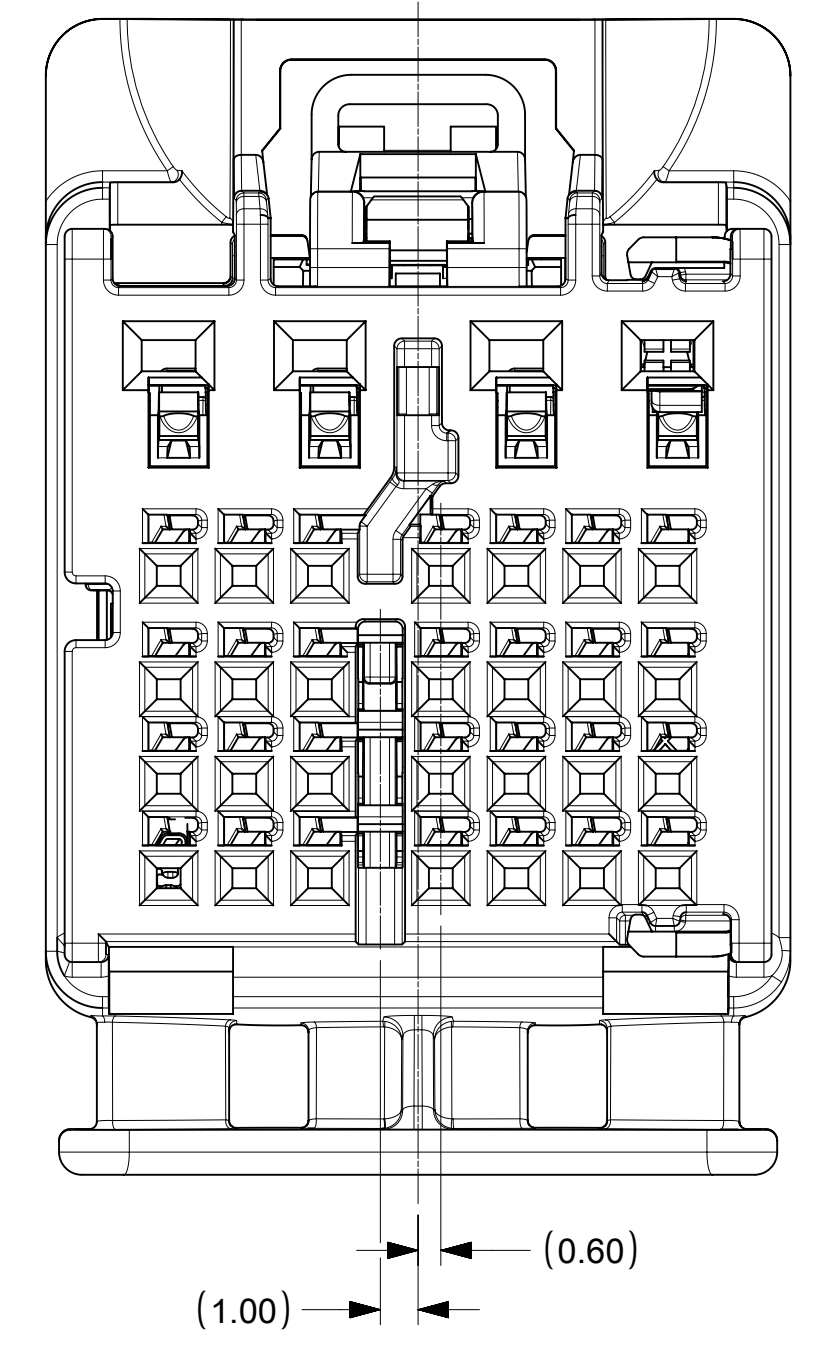
MOLEX ASSEMBLY PART NO.'S		
1600280011	KEY 1	
1600280012	KEY 2	
1600280013	KEY 3	
1600280014	KEY 4	
1600280015	KEY 5	
1600280016	KEY 6	
1600280017	KEY 7	
1600280018	KEY 8	



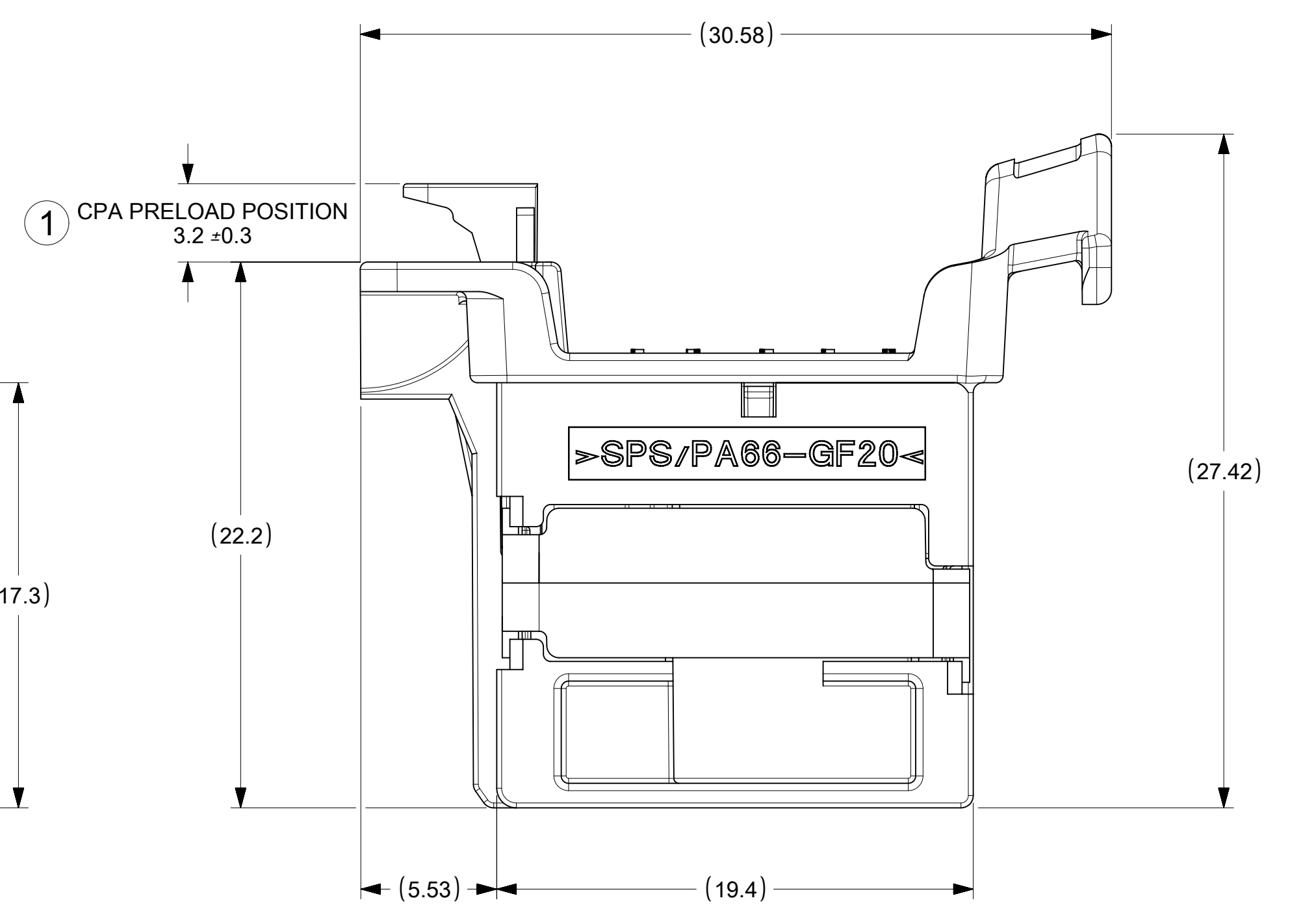
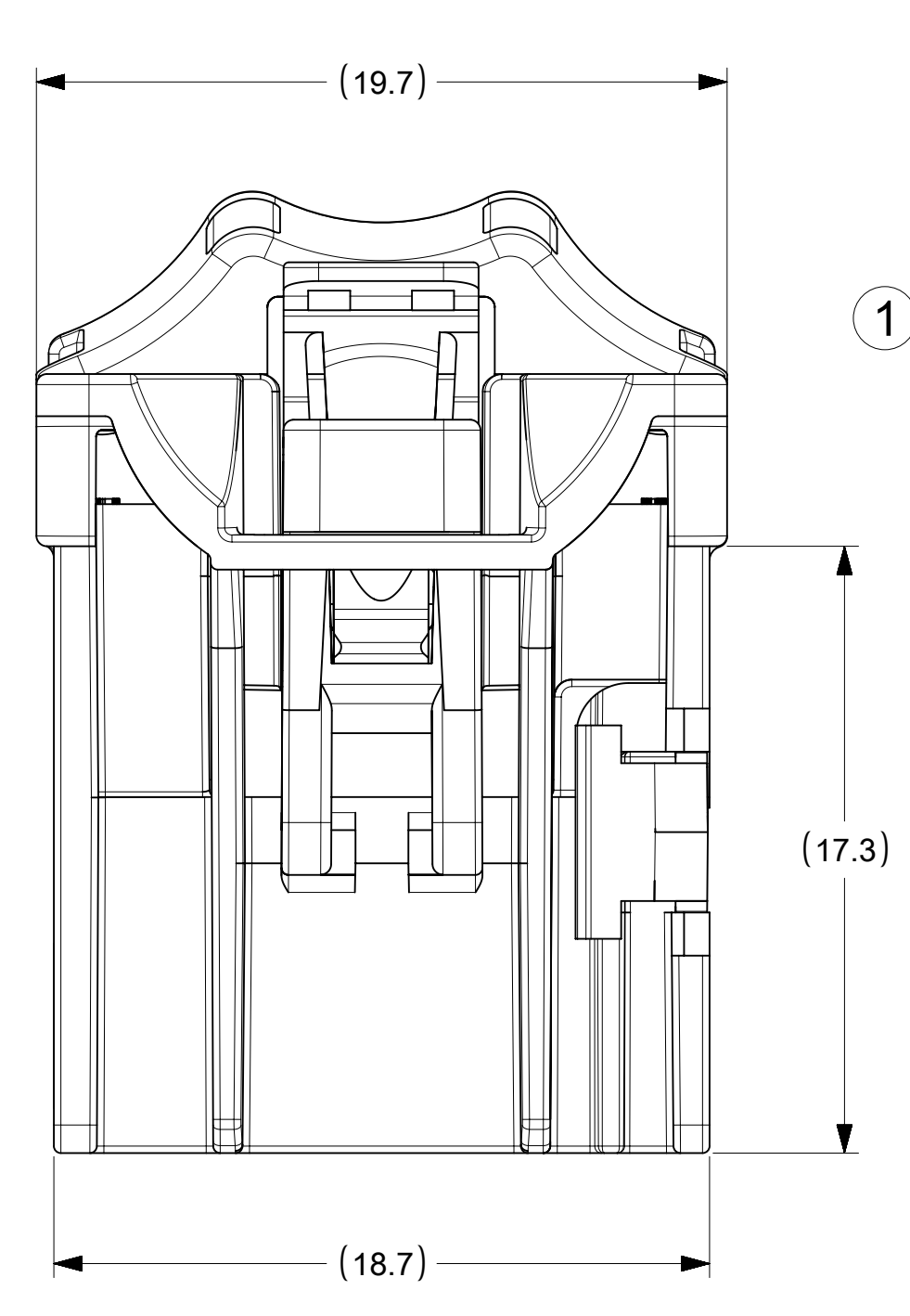
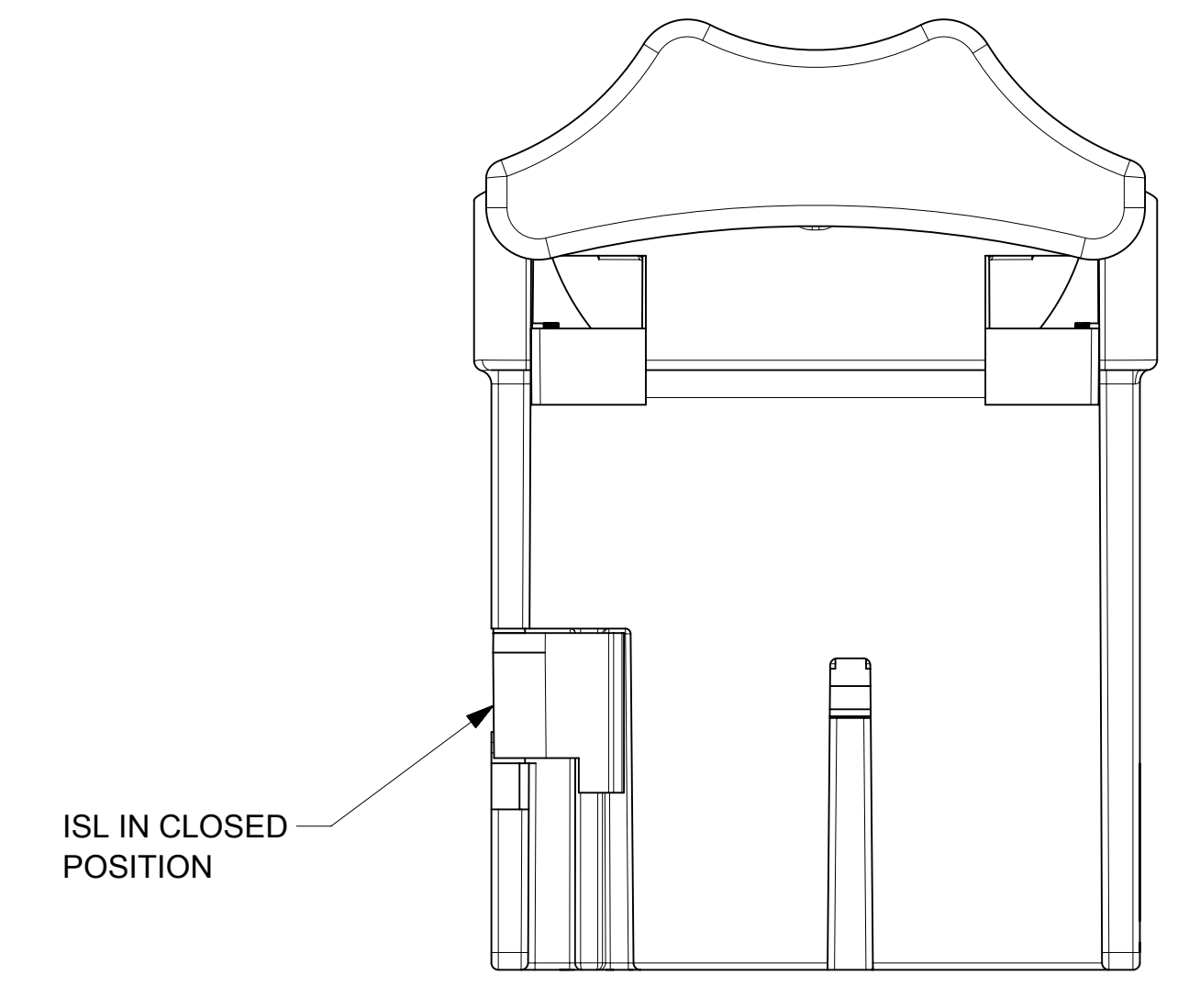
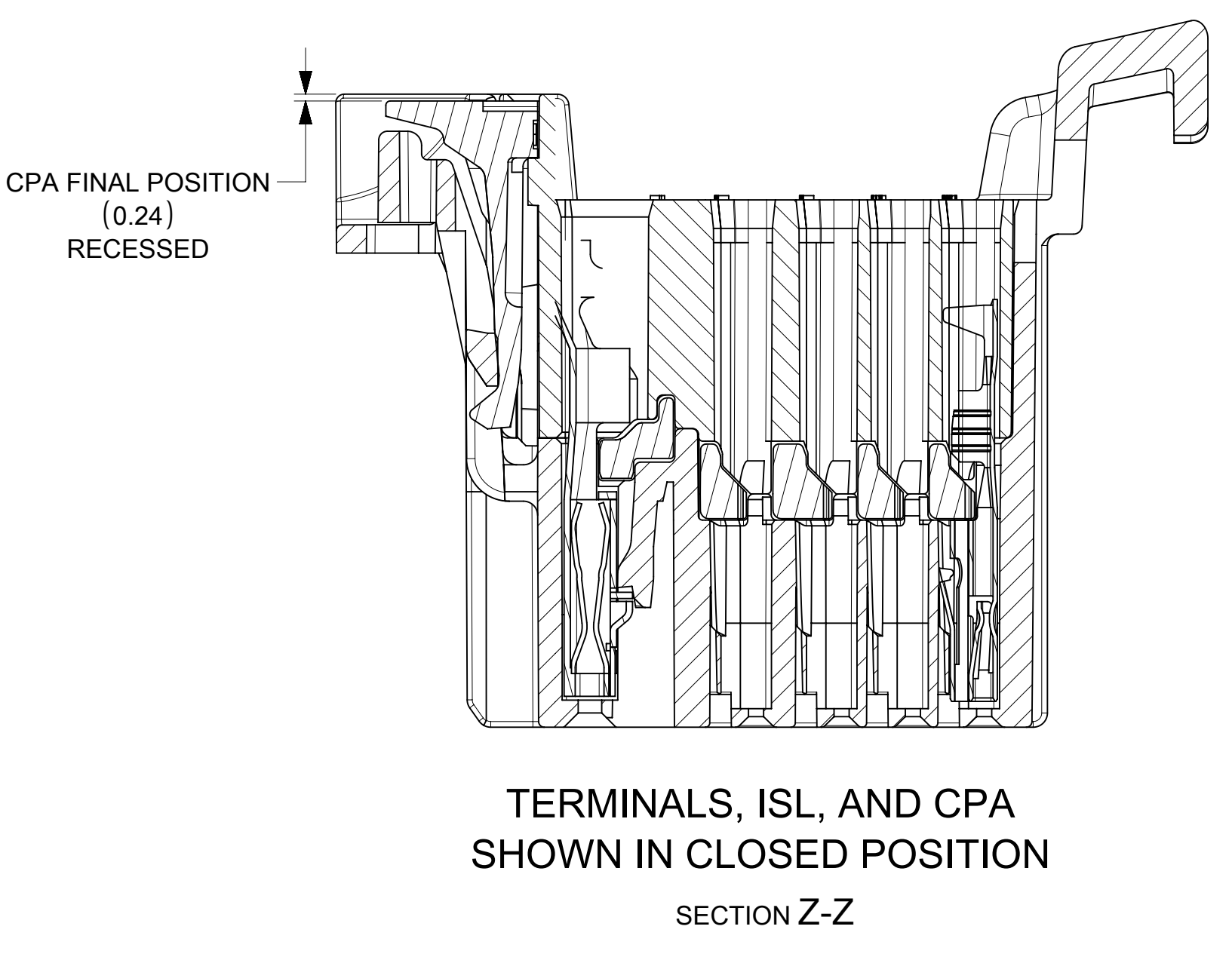
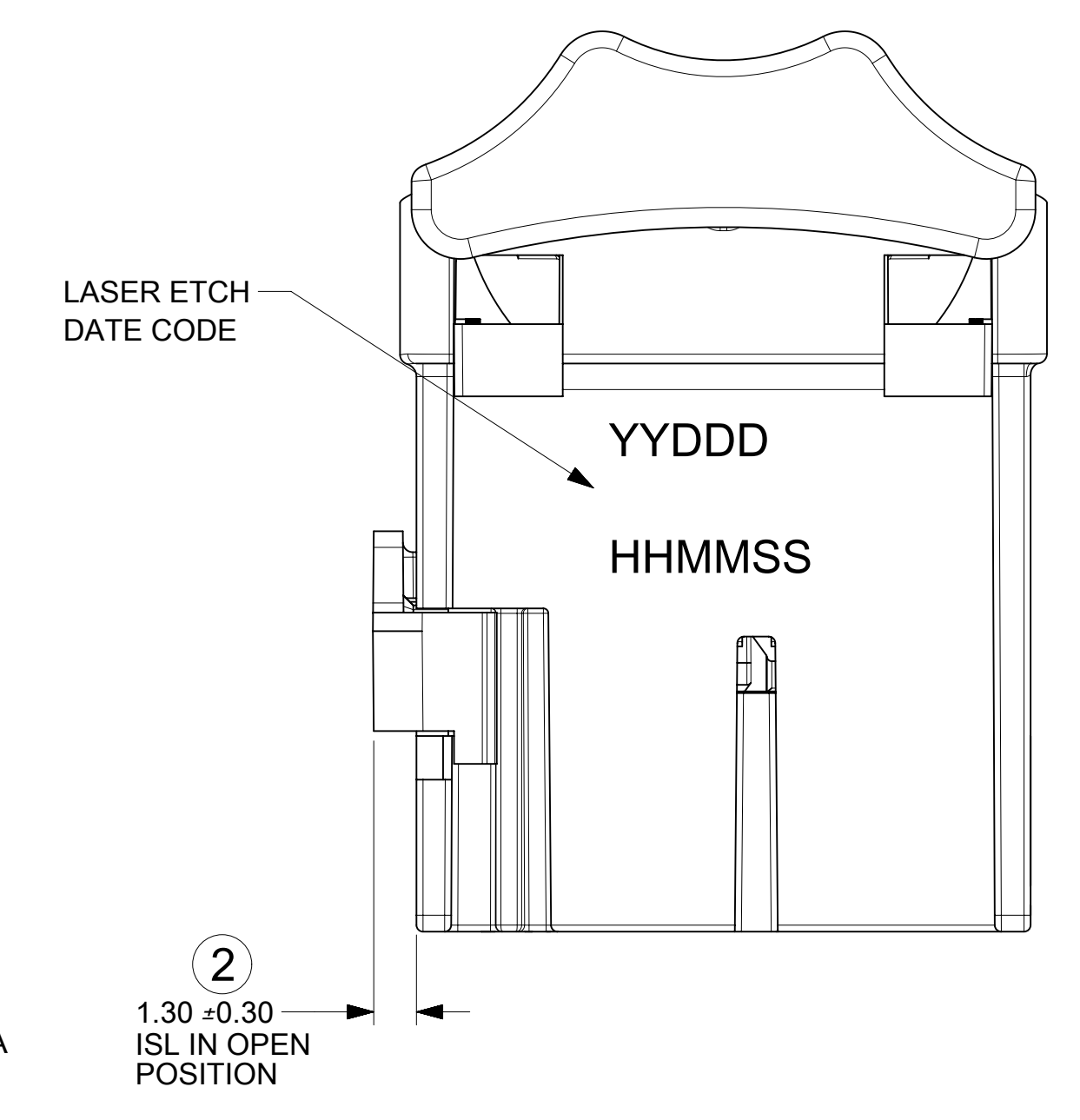
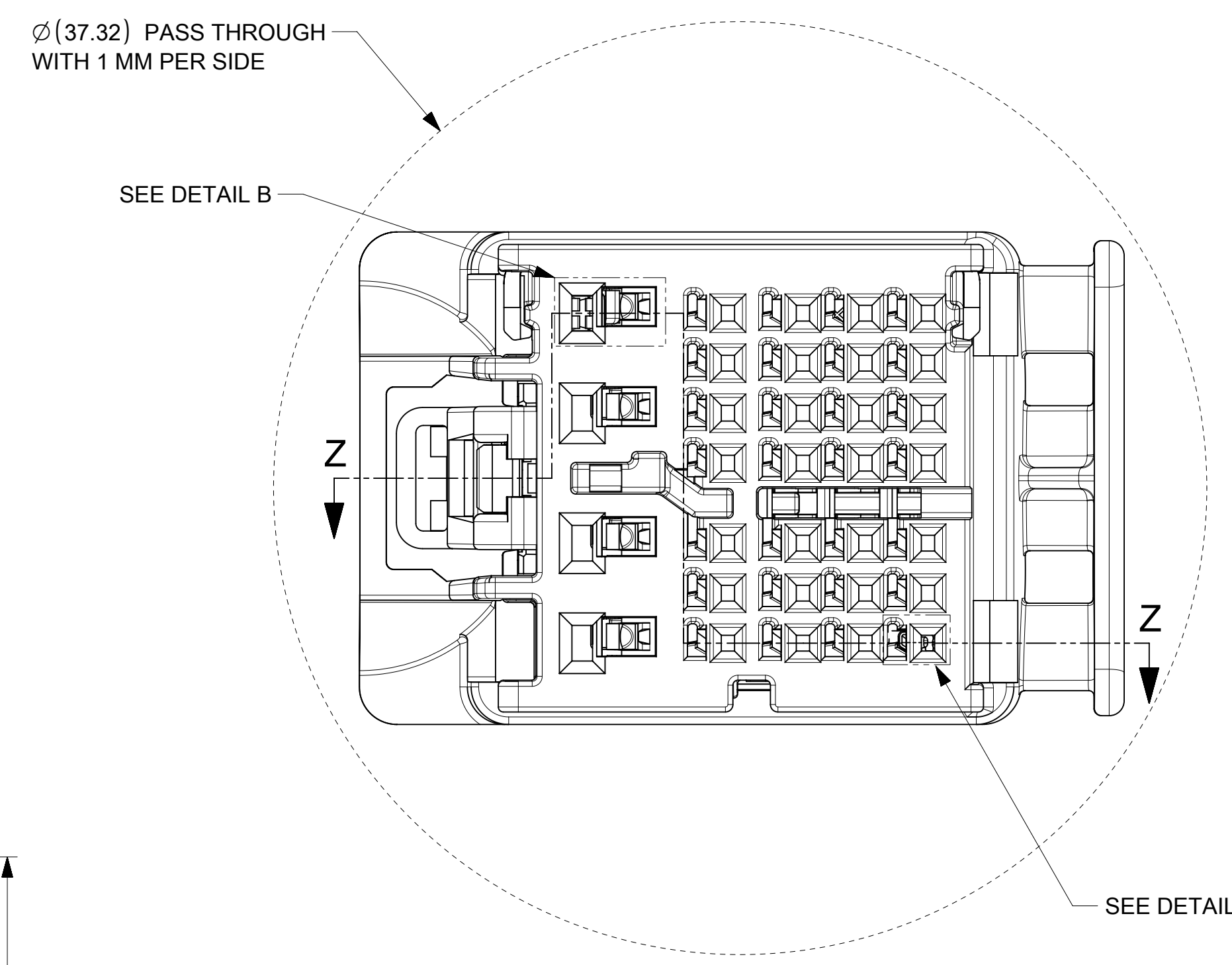
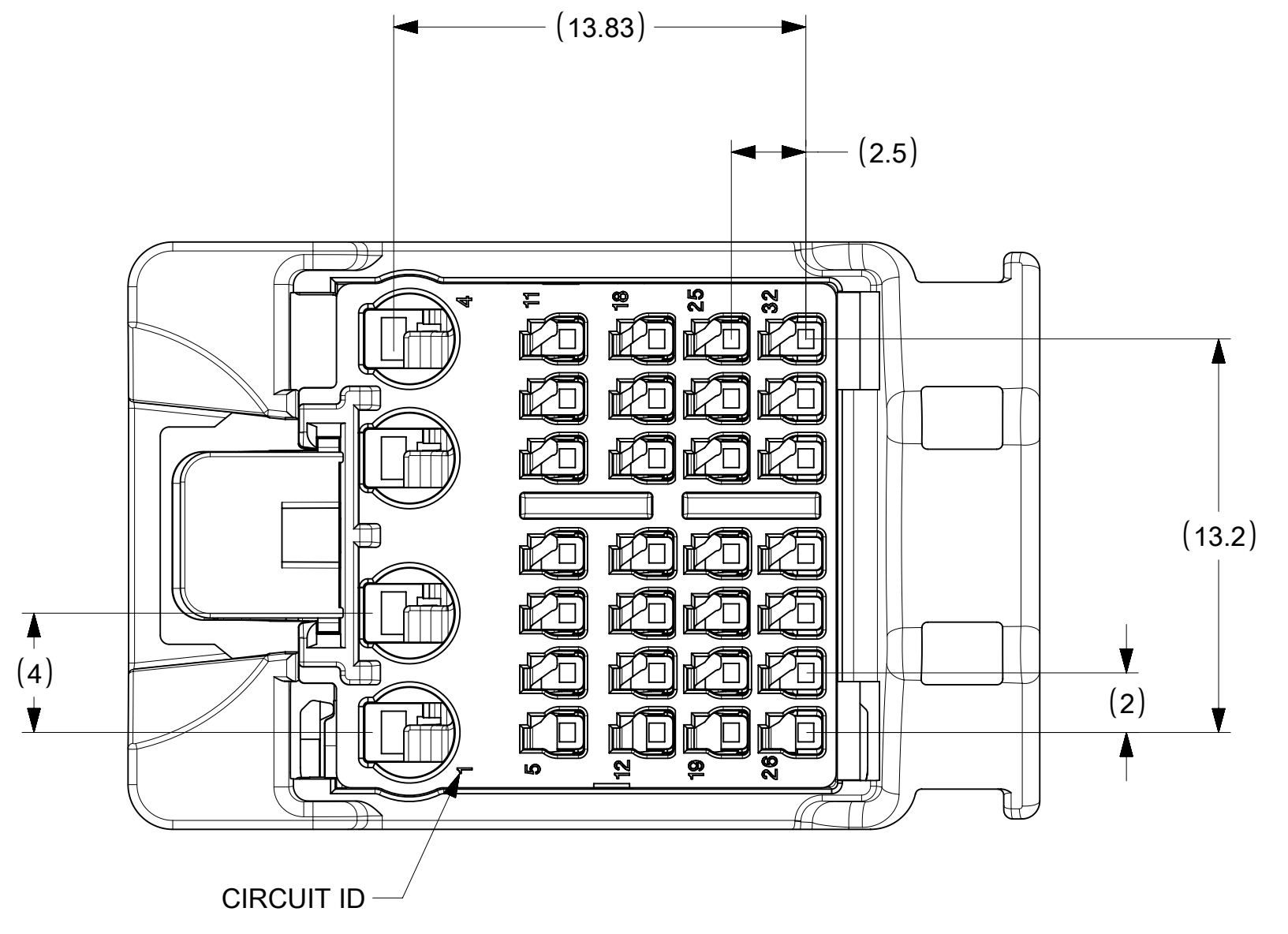
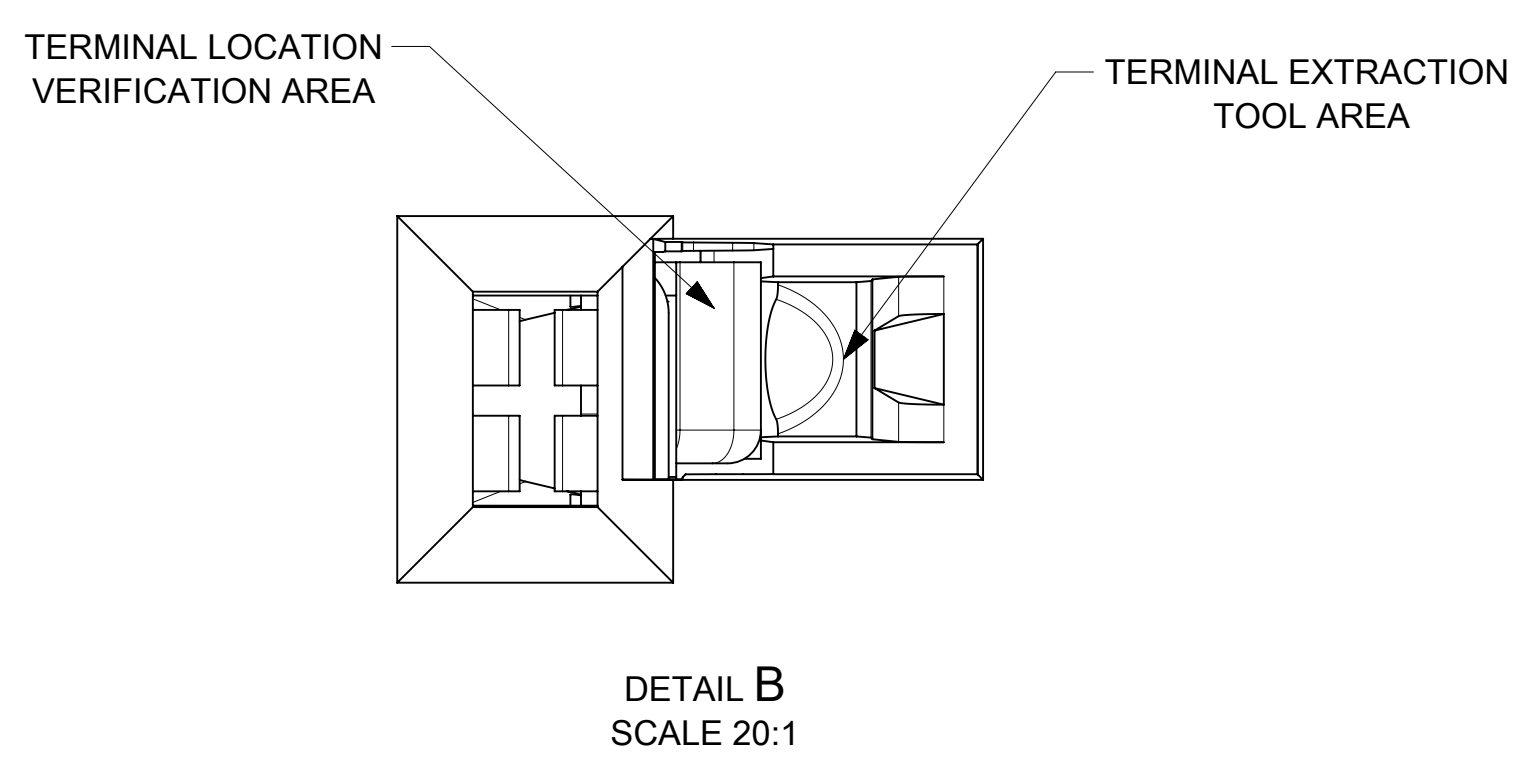
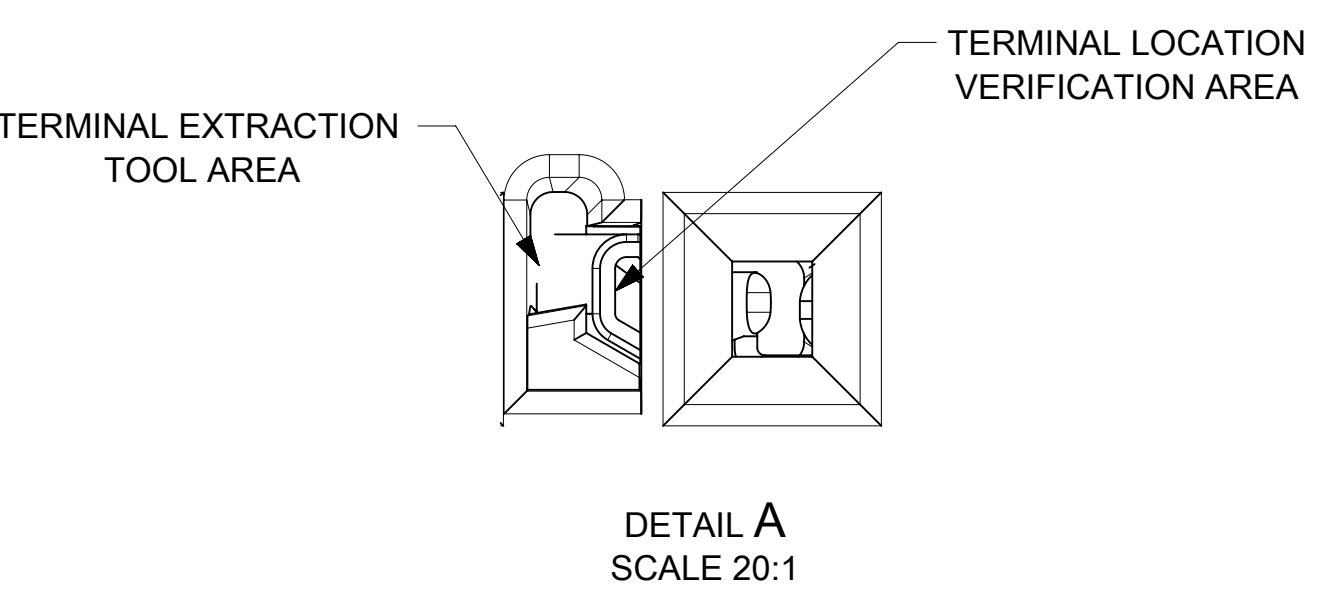
SCALE 2:1

RIB OPTION A

RIB OPTION B



SYMBOLS	THIS DRAWING CONTAINS INFORMATION THAT IS PROPRIETARY TO MOLEX ELECTRONIC TECHNOLOGIES, LLC AND SHOULD NOT BE USED WITHOUT WRITTEN PERMISSION	SCALE		CURRENT REV DESC:	
	DIMENSION UNITS	mm	5:1		
▽ = 0	GENERAL TOLERANCES (UNLESS SPECIFIED)	EC NO: 613462		DRWN: RCARLSON	2019/03/08
▽ = 0	ANGULAR TOL ± 3.0°	DRWN: RCARLSON		CHK'D: JCONDON	2019/03/08
▽ = 0	4 PLACES ±	DRWN: RCARLSON		APPR: JCONDON	2019/03/08
▽ = 0	3 PLACES ±	INITIAL REVISION:		2019/02/15	
▽ = 0	2 PLACES ± 0.3	DRWN: RCARLSON		2019/02/25	
▽ = 0	1 PLACE ± 0.3	APPR: JCONDON		2019/02/25	
▽ = 0	0 PLACES ± 0.3	DRAFT WHERE APPLICABLE MUST REMAIN WITHIN DIMENSIONS		THIRD ANGLE PROJECTION	
☒ = 0		DRAWING		SERIES	
■ = 0		D-SIZE		160028	
▽ = 0		MATERIAL NUMBER		CUSTOMER	
		SEE CHART		GENERAL MARKET	
DOCUMENT STATUS		P1	RELEASE DATE	2019/03/08	20:49:07
DOCUMENT NUMBER		DOC TYPE		DOC PART	REVISION
1600280011		PSD		000	A2
SHEET NUMBER		1 OF 2			



SYMBOLS	THIS DRAWING CONTAINS INFORMATION THAT IS PROPRIETARY TO MOLEX ELECTRONIC TECHNOLOGIES, LLC AND SHOULD NOT BE USED WITHOUT WRITTEN PERMISSION		CURRENT REV DESC:	
	DIMENSION UNITS	SCALE		
▽ = 0	mm	5:1		
▽ = 0	GENERAL TOLERANCES (UNLESS SPECIFIED)			
▽ = 0	ANGULAR TOL ± 3.0°			
▽ = 0	4 PLACES ±			
▽ = 0	3 PLACES ±			
▽ = 0	2 PLACES ± 0.3			
▽ = 0	1 PLACE ± 0.3			
▽ = 0	0 PLACES ± 0.3			
■ = 0	DRAFT WHERE APPLICABLE MUST REMAIN WITHIN DIMENSIONS			
▽ = 0	THIRD ANGLE PROJECTION		DRAWING SERIES	
	D-SIZE		160028	
EC NO: 613462			2019/03/08	
DRWN: RCARLSON			2019/03/08	
CHK'D: JCONDON			2019/03/08	
APPR: JCONDON			2019/03/08	
INITIAL REVISION:				
DRWN: RCARLSON			2019/02/15	
APPR: JCONDON			2019/02/25	
DOCUMENT NUMBER		DOC TYPE	DOC PART	REVISION
1600280011		PSD	000	A2
MATERIAL NUMBER		CUSTOMER		SHEET NUMBER
SEE SHEET 1		GENERAL MARKET		2 OF 2