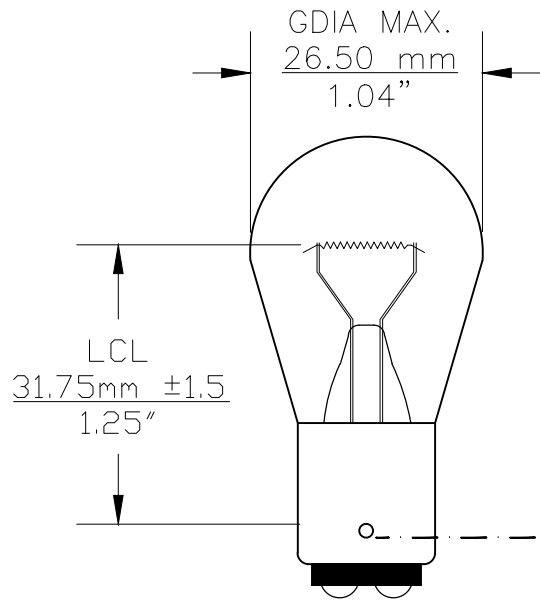
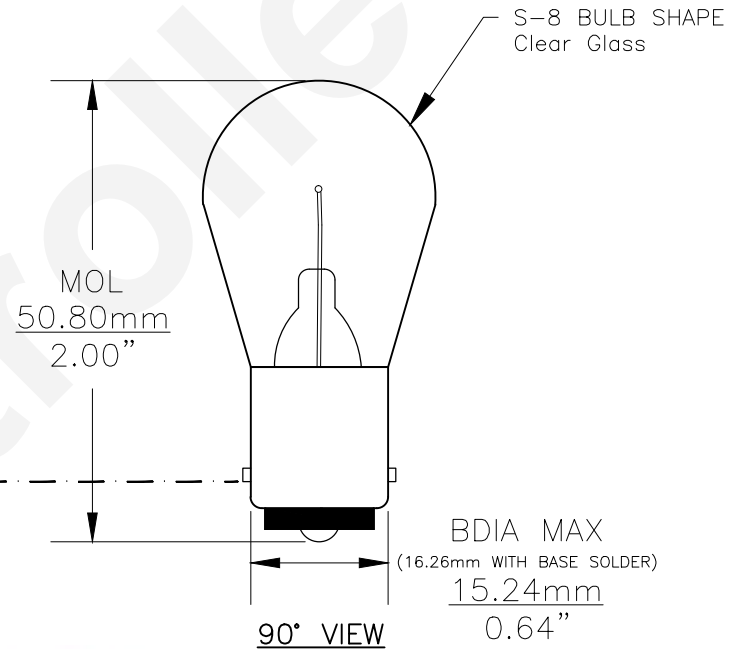




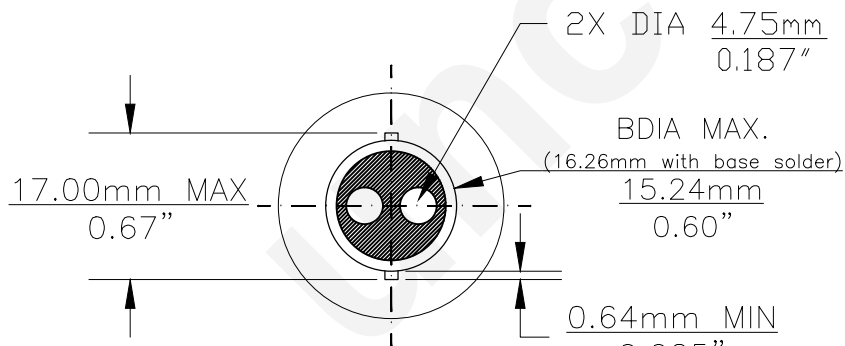
PART NO.	BASE TYPE	DESIGN VOLTS	DESIGN AMPS	MSCD	FILAMENT TYPE	AVERAGE LIFE HOURS	REVISIONS			
							REV #	DESCRIPTION	DATE	APPROVED
1142	D.C. BAYONET (BA15d)	12.8V	1.44±10%	21±15%	C-6	1000	1	ISSUED	05/27/2014	R.M.



0° VIEW



90° VIEW



BASE BOTTOM VIEW



Note: Made according to SAE specifications

UNLESS OTHERWISE SPECIFIED: DIMENSIONS ARE IN INCHES TOLERANCES		CEC INDUSTRIES LTD			
DECIMALS .XX ± .05		599 BOND STREET		LINCOLNSHIRE, IL 60069	
ANGULAR .XXX ± .010		TITLE LIGHT BULB NO. 1142			
FRACTIONAL ±1/64		CHECKED		REV 1	
DRAWN ROSE MEDINA	DATE 05/27/2014	SIZE A	FSCM NO. 1142	DWG NO. 1142	REV 1
DESIGN	SCALE	PLOT SCALE	SHEET 1 OF 1		
MATERIAL	FILE 1142.pdf	DRAWING NOT TO SCALE			