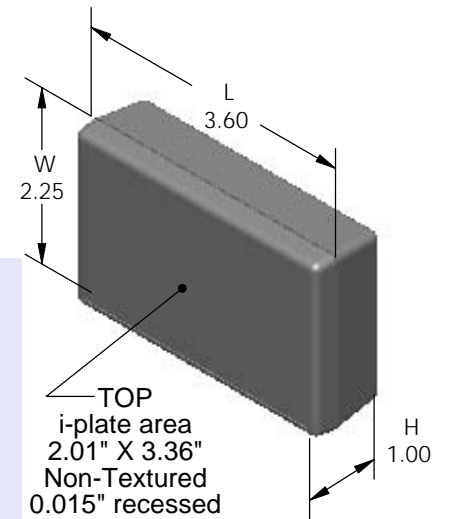
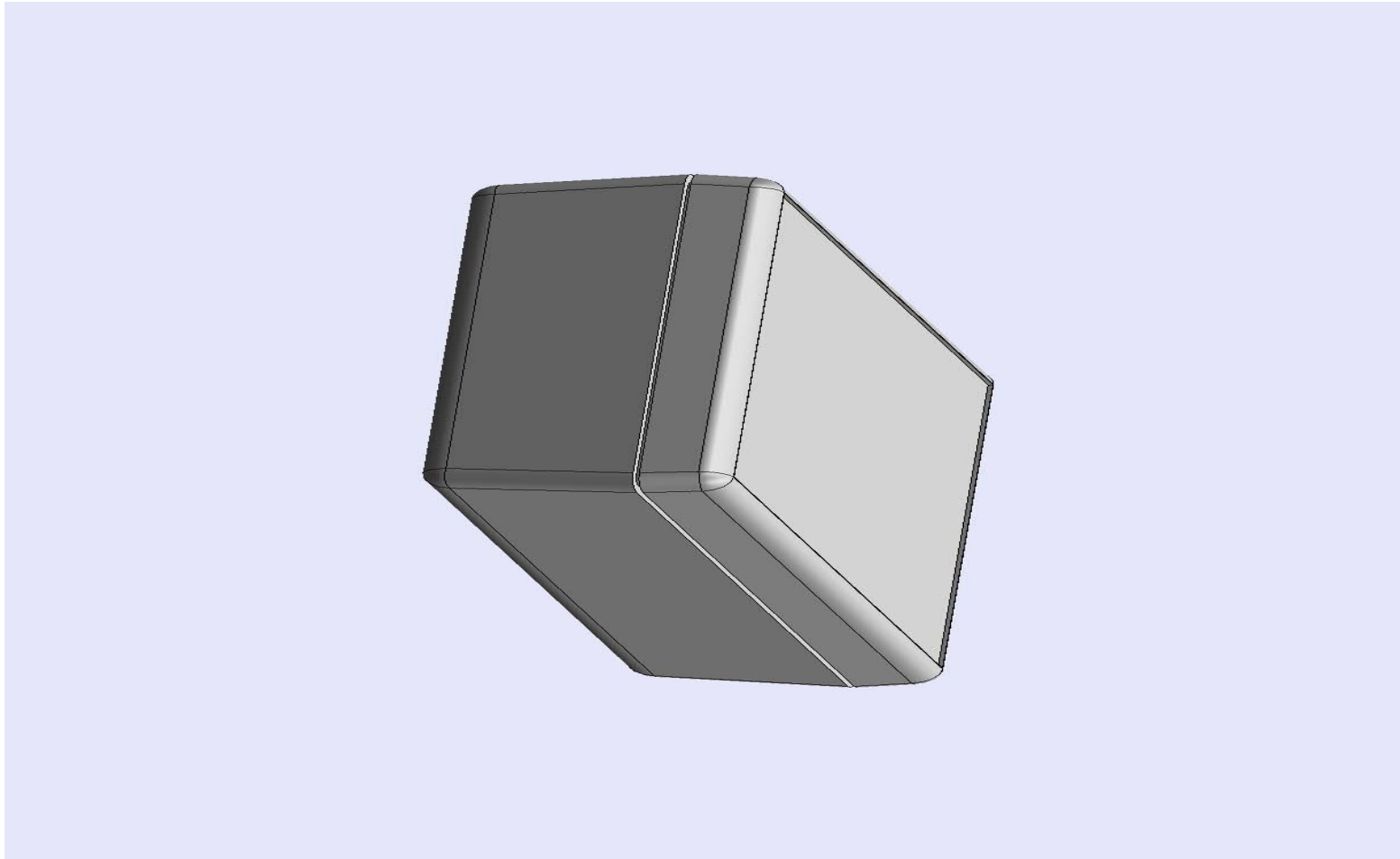


# SERPAC 110i (exploded isometric)

Electronic Enclosures

- Click on image to show toolbar. Use ▶|| to Play/Pause Animation.
- Left click and drag on image to move 3D model.



- a) Zoom in & out with center wheel.
- b) Pause at any moment to view and or print views.
- c) Change the views to ortho and section views if needed from the Views pull down menu.
- d) Explore options included in the tool bar like: Views, Transparency of model, Lighting type, etc.

PART NO.	DESCRIPTION (Included)	ACCESSORIES (Optional)	
1-0-i	TOP	PART NO.	DESCRIPTION
11	BOTTOM	50	Non-skid Feet
6013	#4X3/16" H-L Self tapping (4)	310	Prototype grid board
		410	Prototype clad board

Notes: Enclosure weight .10 lbs / 46 gm

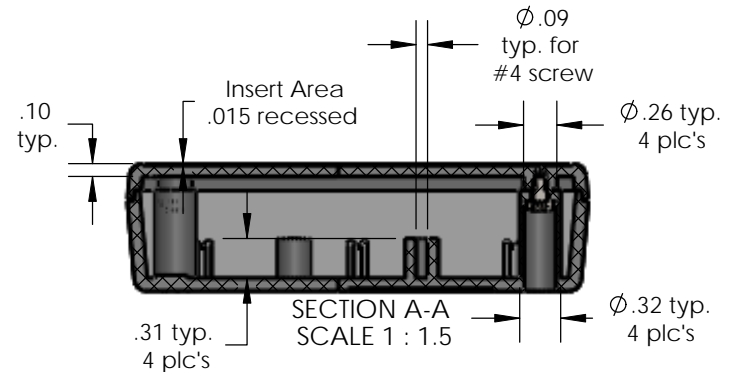
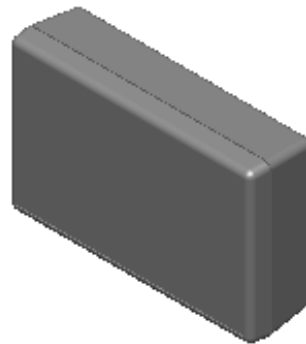
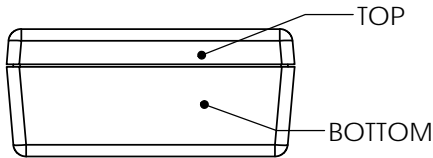
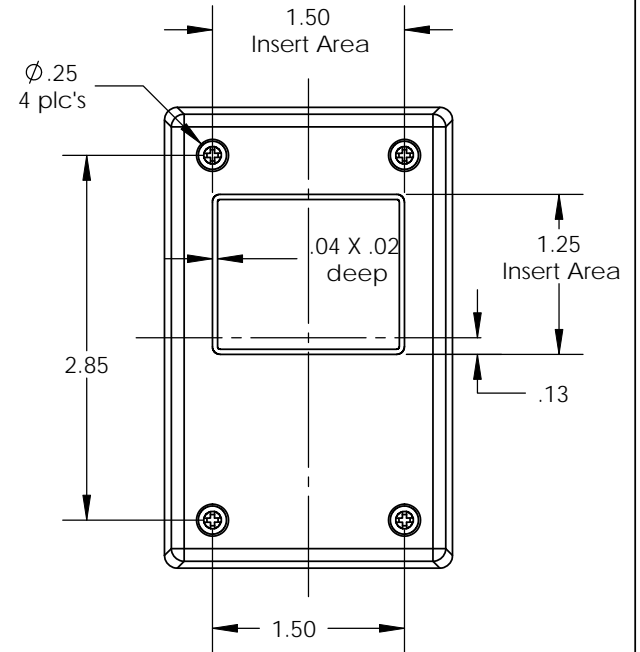
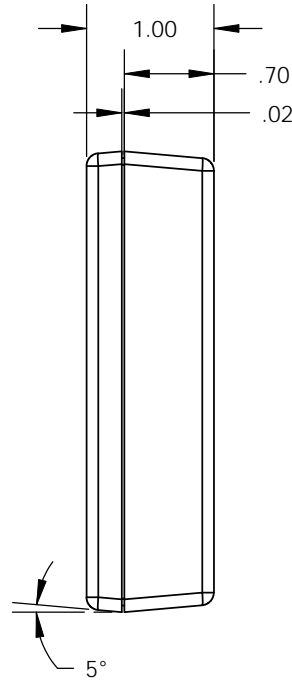
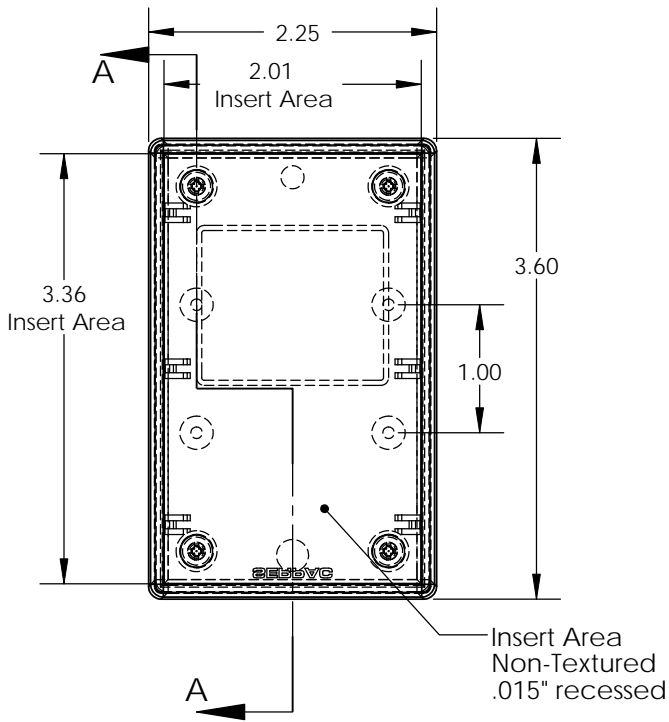
- 1) Enclosure meets or exceeds IP40 and NEMA 1
- 2) Circuit Board drawings can be download at:  
<http://www.serpac.com/Accessories/CircuitBoard/drawings/310-410.pdf>
- 3) All components are RoHS Compliant.

Screws max. recommended torque to be 36 inch-ounces

ALL DIMENSIONS ARE ±.010" 3/18/10 (1 of 2)  
619 Commercial Ave. Covina, CA 91723  
Ph. (626) 331-0517 Fx. (626) 331-8584 [serpac.com](http://serpac.com)

# SERPAC 110i (user print)

Electronic Enclosures



PART NO.	DESCRIPTION (Included)	ACCESSORIES (Optional)	
1-0-i	TOP	PART NO.	DESCRIPTION
11	BOTTOM	50	Non-skid Feet
6013	#4X3/16" HL self tapping (4)	310	Prototype grid board
		410	Prototype clad board

Notes: Enclosure weight .10 lbs / 46 gm  
 1) Enclosure meets or exceeds IP40 and NEMA 1  
 2) Circuit Board drawings can be download at:

<http://www.serpac.com/Accessories/CircuitBoard/drawings/310-410.pdf>

3) All components are RoHS Compliant.

**ALL DIMENSIONS ARE ± .010" 3/18/10 (2 of 2)**  
**619 Commercial Ave. Covina, CA 91723**  
 Ph. (626) 331-0517 Fx. (626) 331-8584 [www.serpac.com](http://www.serpac.com)