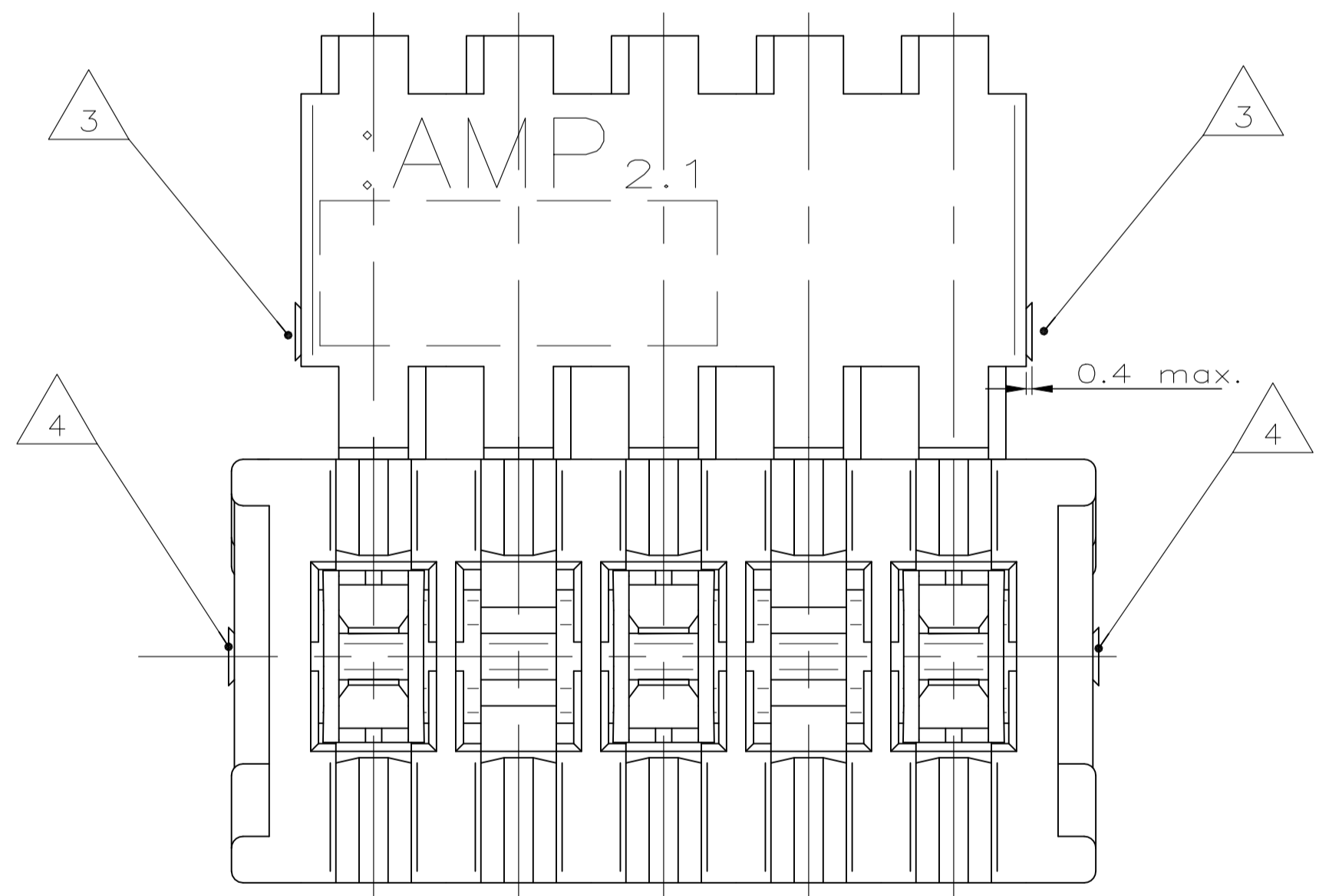
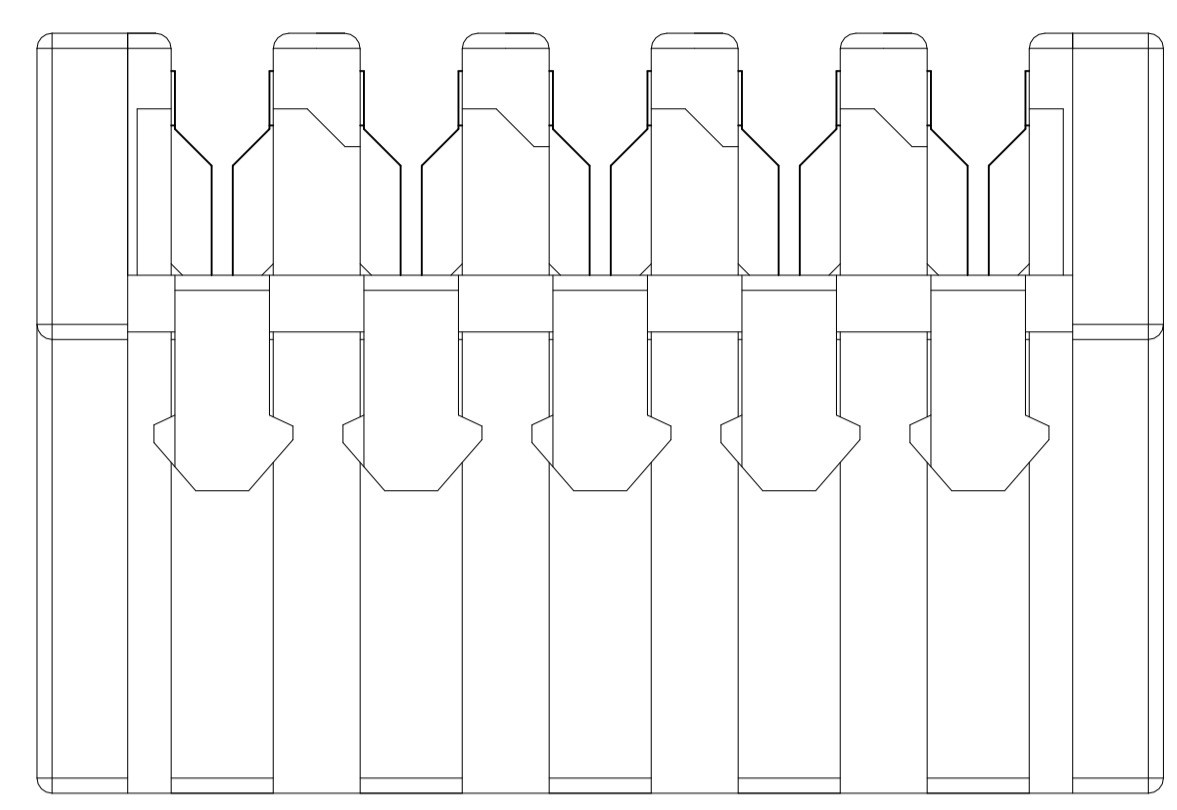
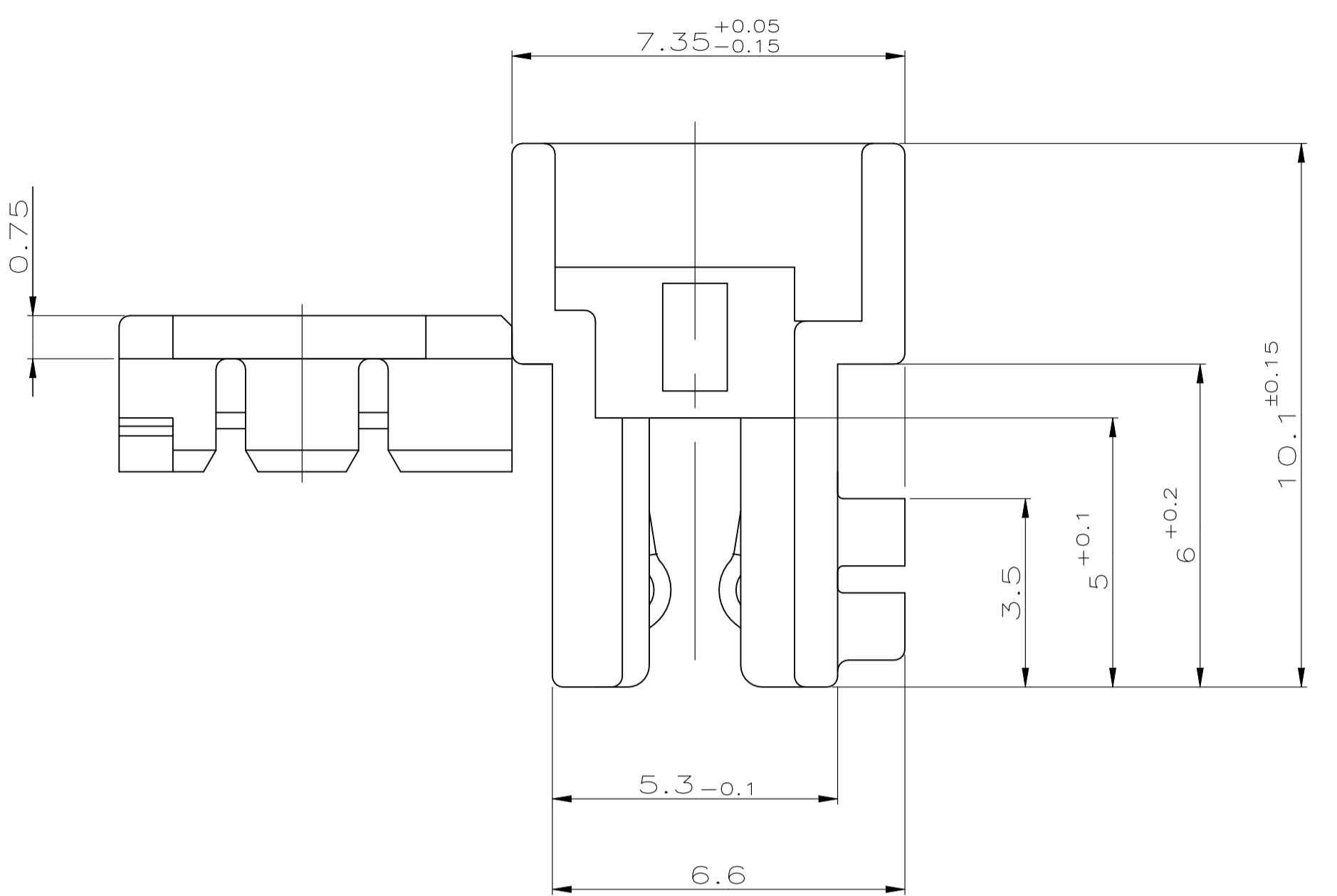
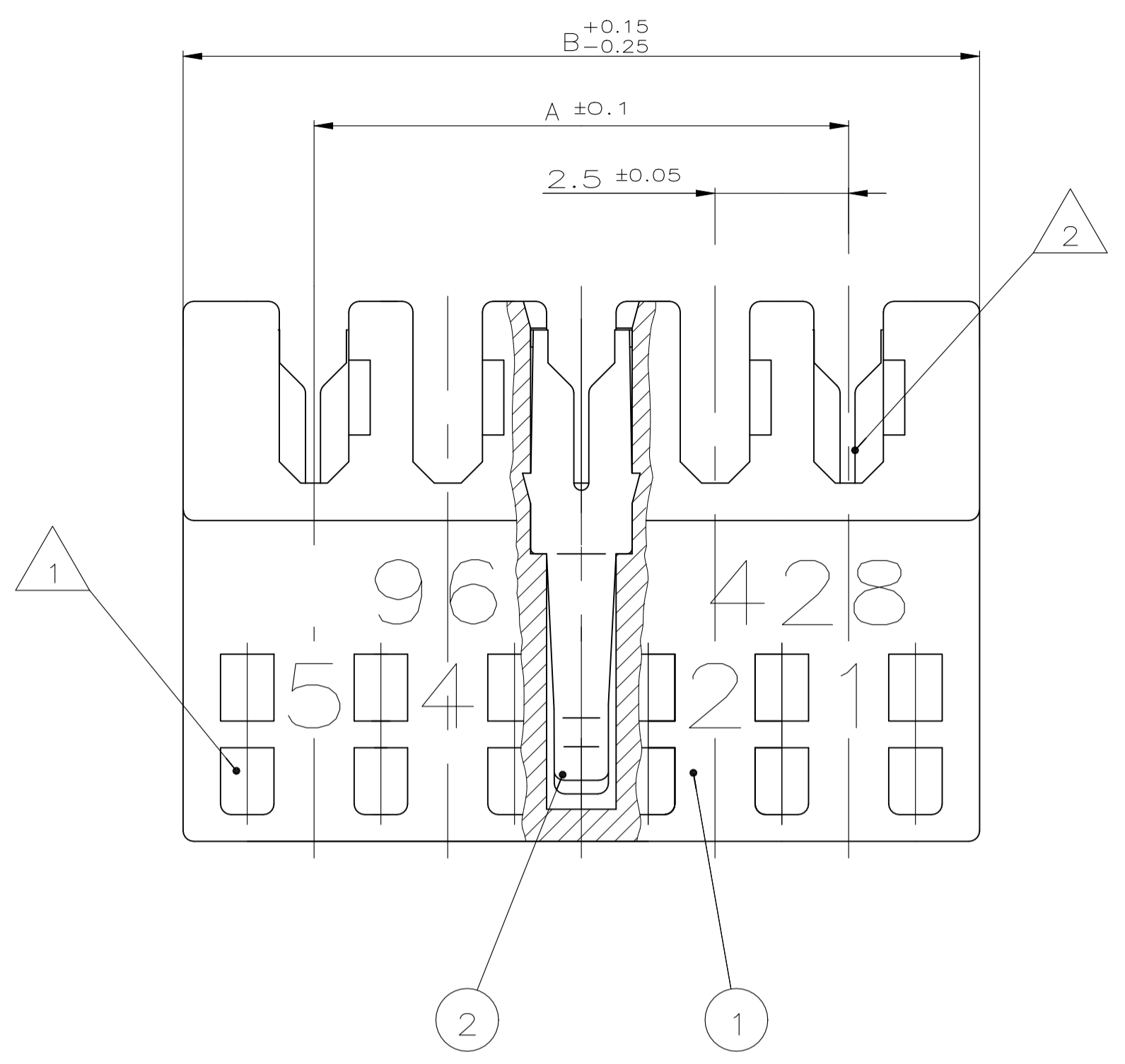


NICHT VERMASSTE KANTEN SIND NICHT MAßSTÄBLICH  
 ÄNDERUNGEN DIE DEM TECHNISCHEN FORTSCHRITT DIENEN, BEHALTEN WIR UNS VOR

REVISIONS					
NO.	DATE	DESCRIPTION	BY	CHK	APPV
E	14APR2022	REVISED PER ECR-22-135817	PJ		FL
E1	20FEB2022	REVISED PER ECR-22-154590	SM		FL



- 11 PART RELEASED WITH PARTIAL VALIDATION AND PENDING AGENCY APPROVALS.
- 10 PRELIMINARY PART NOT YET RELEASED FOR PRODUCTION
- 9 PA GF, UL94-V0 & GWEPT 750 NO-FLAME, NATURAL
- 8 PBT GF
- 7 OBSOLETE PARTS: OBSOLETE CIS STREAMLINING PER D.RENAUD/D.SINISI
- 6 MATING PARTS:  
 -TAB HEADER SEE DRAWING NO. 1971921 AND EQUIVALENTS.  
 -PCB APPLICATION WITH FRAME SEE DRAWING 964 575  
 -PCB APPLICATION WITHOUT FRAME SEE SPECIFICATION 108-18056
- 5 X ... CAVITY LOADED WITH CONTACT  
 O ... CAVITY WITHOUT CONTACT
- 4 CUTTING AREA FROM PRODUCING PROCESS
- 3 -
- 2 WIRE RANGE DGB II (7xø0.25=0.35mm<sup>2</sup>)  
 SEE APPLICATION SPECIFICATION 114-18049-1
- 1 KEYING RIBS; CUTTING WITH THE TERMINATION MACHINE POSSIBLE

POS.	DIM A	DIM B	TE P/N	TE P/N
20	47.5	52.4	-	-
19	45.0	49.9	1-966-843-9	-
18	42.5	47.4	-	-
17	40.0	44.9	1-966-843-7	-
16	37.5	42.4	-	-
15	35.0	39.9	1-966-843-5	2319801-5
14	32.5	37.4	-	-
13	30.0	34.9	1-966-843-3	-
12	27.5	32.4	-	-
11	25.0	29.9	1-966-843-1	-
10	22.5	27.4	-	-
9	20.0	24.9	1-966-842-9	1-2311514-9
8	17.5	22.4	-	-
7	15.0	19.9	2-966-842-7	-
6	12.5	17.4	1-966-842-7	2311514-7
5	10.0	14.9	3-966-842-6	2311514-6
4	7.5	12.4	2-966-842-6	-
3	5.0	9.9	1-966-842-5	-
2	2.5	7.4	1-966-842-3	2-2311514-3
1	0.0	4.9	-	-

THIS DRAWING IS A CONTROLLED DOCUMENT.					DIN 9.11.95 ATZMANN		TE Connectivity	
DIMENSIONS: mm					DIN 9.11.95 SCHNAUBELT		AMP DUOPLUG 2.5™ FEMALE CONNECTOR 3-20 POSITION, DGBII, SELECTIV LOADED	
TOLERANCES UNLESS OTHERWISE SPECIFIED:					PRODUCT SPEC		RESTRICTED TO	
0 PLC ± -					APPLICATION SPEC		SIZE	
1 PLC ± 0.2					114-18049-1		CAGE CODE	
2 PLC ± -					WEIGHT 0		DRAWING NO	
3 PLC ± -					CUSTOMER DRAWING		00779	
4 PLC ± -					SCALE 10:1		SHEET 1 of 1	
ANGLES ± 1°					REV E1			