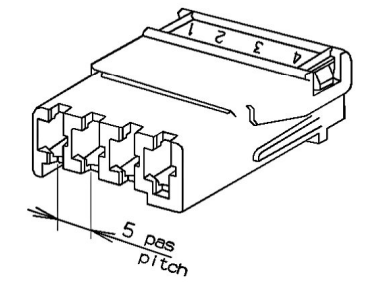
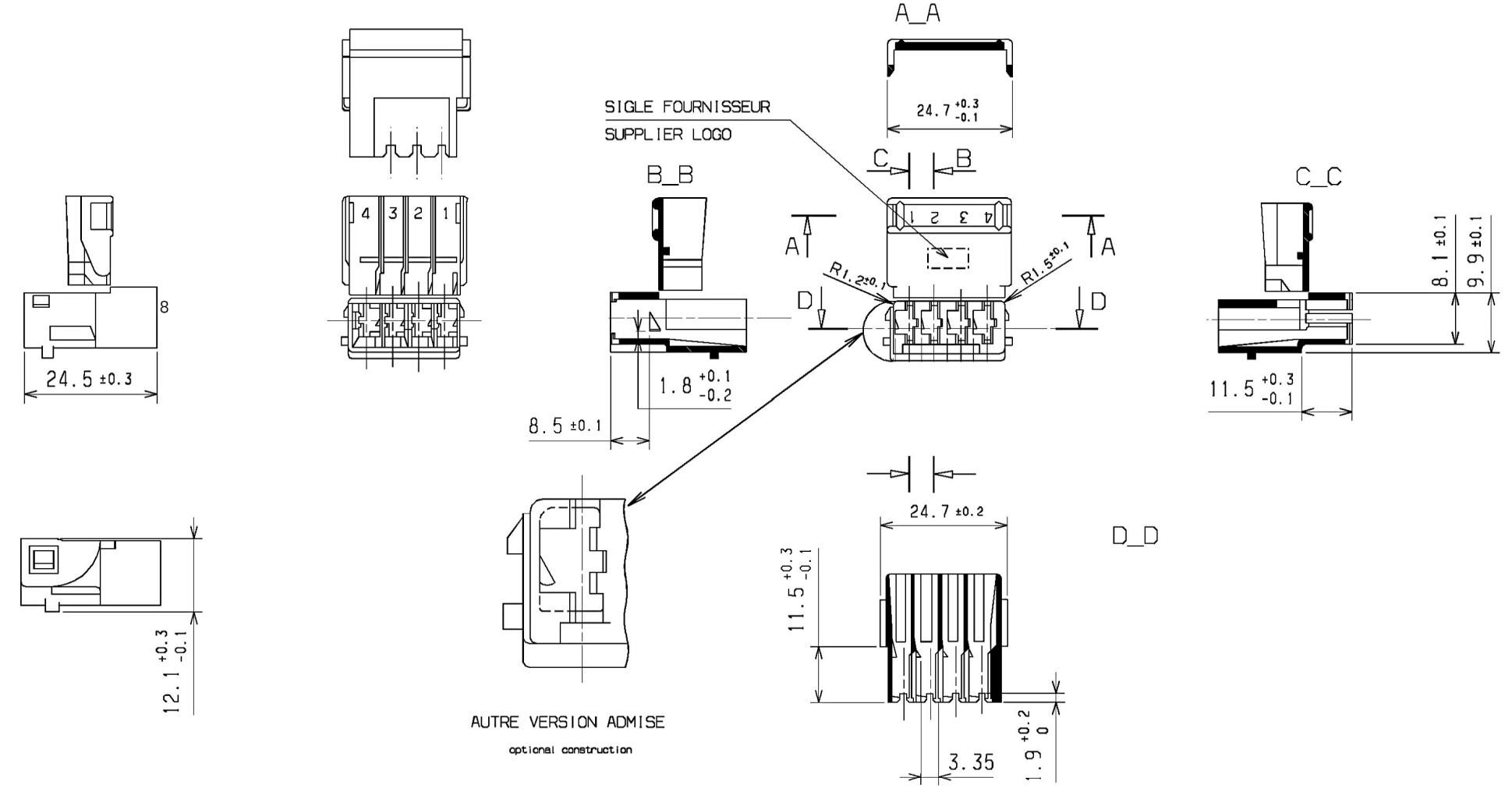


REFERENCE PART NUMBER	MATIERE MATERIAL	COULEUR COLOUR	COLOUR
0989361041	PA 6.6	Noir	Black
0989361042	PA 6.6	Rouge	Red
0989361046	PA 6.6	Bleu	Blue
0989361049	PA 6.6	Marron	Brown



FROM DRAWING P/N 444... IND.K
7-11-2014
First release
16-Mar-2015
Deleted optional design for brown version

-NOTA- Connexions à employer :

(pour cables de 0.35 à 1mm ² isolant réduit)	0988951014 0988952014
(----- 0.35 à 1mm ²)	0988951011 0988952011
(----- 1 à 3mm ²)	0988951012 0988952012

-NOTE- Use terminals :

(for wire 0.35 to 1mm ² reduced insulation)	0988951014 0988952014
(----- 0.35 to 1mm ²)	0988951011 0988952011
(----- 1 to 3mm ²)	0988951012 0988952012

UPDATED DRAWING
EC NO: G2015-0163
DRWN: JDUCLIOS 2015/03/23
CHKD: CBOUCHAN 2015/03/23
APPR: OPLESSIS 2015/03/23

GENERAL TOLERANCES (UNLESS SPECIFIED)

	mm	INCH
4 PLACES	±	±
3 PLACES	±	±
2 PLACES	0/-0.2	±
1 PLACE	0/-0.2	±
ANGULAR	±	*

DRAFT WHERE APPLICABLE
MUST REMAIN
WITHIN DIMENSIONS

DIMENSION STYLE
MM ONLY

DRAWN BY	HE	DATE	81/06/12
CHECKED BY	JLD	DATE	06/06/06
APPROVED BY	LST	DATE	06/06/06

MATERIAL NO.
See Chart

SCALE
2:1

DESIGN UNITS
METRIC

FIRST ANGLE PROJECTION

TITLE
CSP5 RCPT HSG W/ CAP
PA6/6 4CKT

MOLEX INCORPORATED

DOCUMENT NO.
SD-98936-008

SHEET NO.
1 OF 1

THIS DRAWING CONTAINS INFORMATION THAT IS PROPRIETARY TO MOLEX INCORPORATED AND SHOULD NOT BE USED WITHOUT WRITTEN PERMISSION

COTES A CONTROLER SUR PIECES EN ETAT STABILISE
A 2.5% ±0.5% DE TENEUR EN EAU

DIMENSIONS TO BE CONTROLLED ON PARTS IN STABILIZED STATE AT 2.5% ±0.5% RELATIVE HUMIDITE