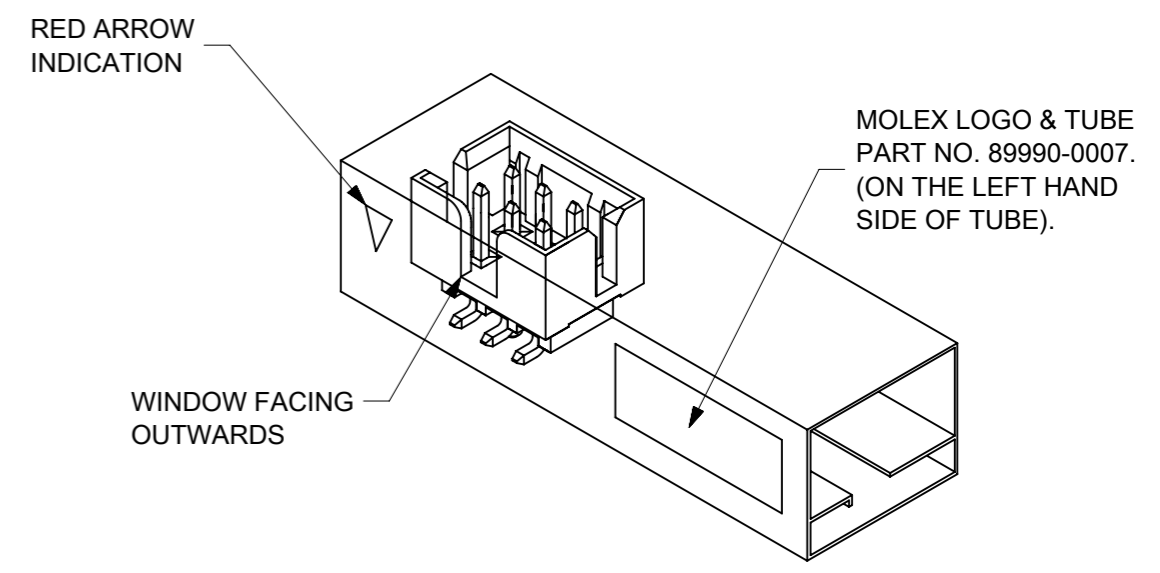
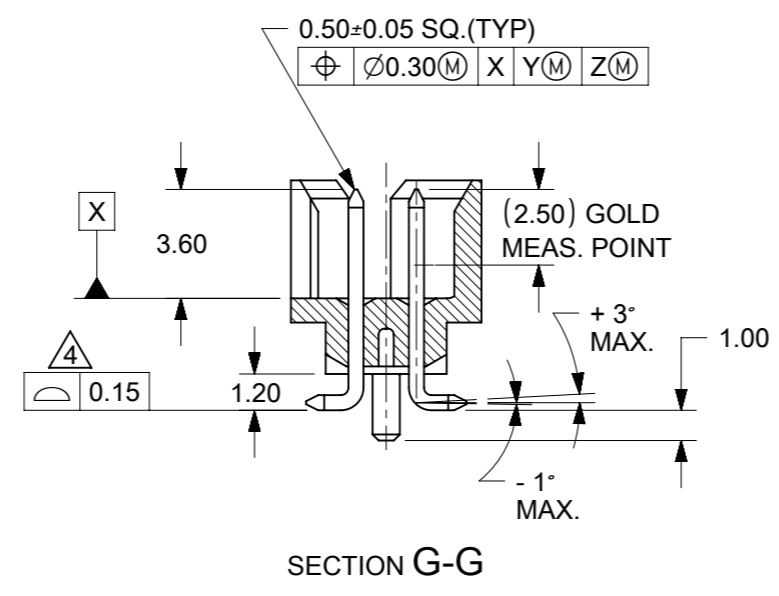
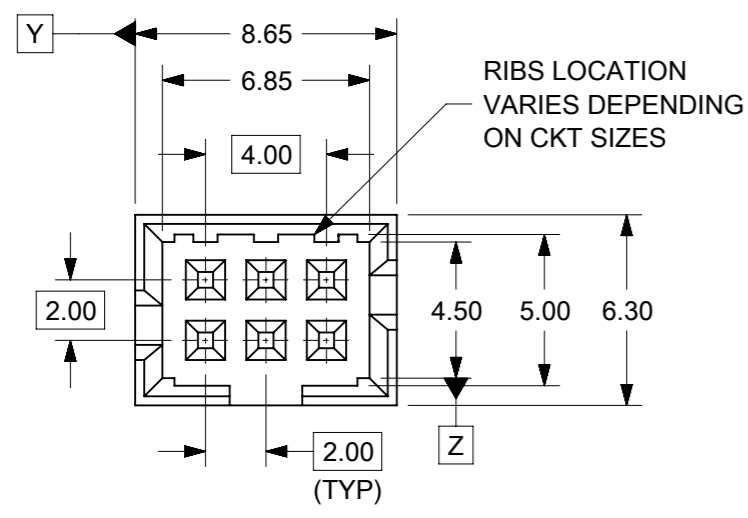
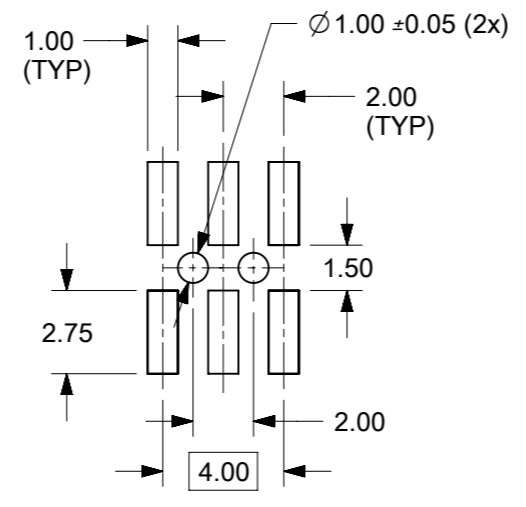
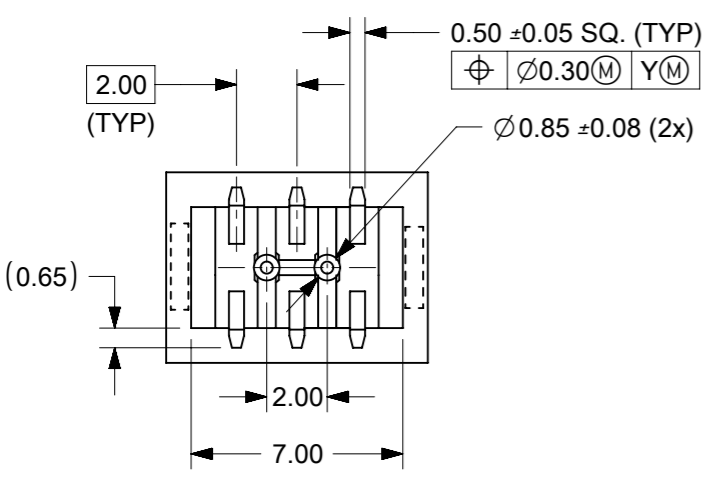
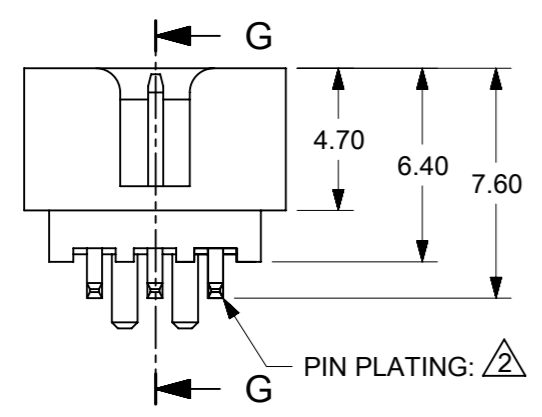


P/N IN TUBE	PEG OPTION	CKT SIZE
87832-063*	YES	6



REF : ORIENTATION OF PART IN TUBE.  
(FOR THE REFERENCE OF PART/TUBE ASSEMBLY.)



RECOMMENDED PCB PATTERN

NOTES:

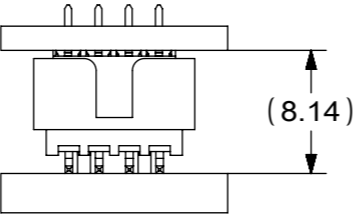
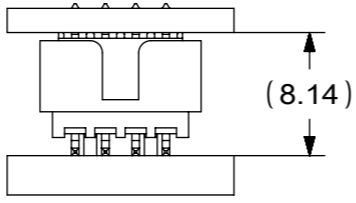
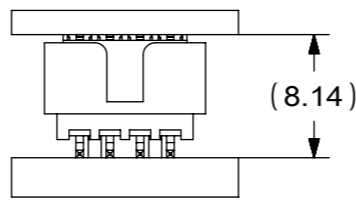
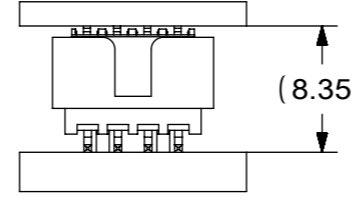
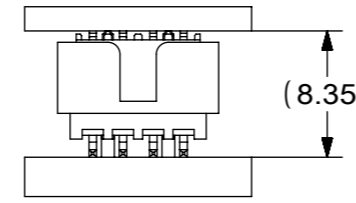
- MATERIAL :  
HOUSING : 30% G.F., NYLON 46, UL94V-0, COLOR BLACK.  
PIN : 0.50mm SQ.PHOSPHOR BRONZE.
- PLATING :  
33 - 0.38µm/15µin GOLD IN CONTACT AREA AND 1.88µm/75µin MIN. TIN IN SOLDER TAIL AREA OVER 1.27µm/50µin MIN. NICKEL OVERALL.  
34 - 0.76µm/30µin GOLD IN CONTACT AREA AND 1.88µm/75µin MIN. TIN IN SOLDER TAIL AREA OVER 1.27µm/50µin MIN. NICKEL OVERALL.
- PRODUCT SPECIFICATION PS-87831-027 APPLIES.
- COPLANARITY IS TO BE MEASURED BY RESTING THE SOLDER TAIL ON A GAUGE SURFACE.
- BEND DEPRESSION ON SMT TAIL IS ACCEPTABLE SO LONG AS IT DOES NOT AFFECT THE OVERALL COPLANARITY OF THE TAIL.
- PACKAGING SPECIFICATION: PK-87831-002


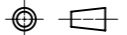
PART NUMBER LEGEND

87832 - 06 \* \*  
PLATING OPTIONS

THIS DRAWING CONTAINS INFORMATION THAT IS PROPRIETARY TO MOLEX ELECTRONIC TECHNOLOGIES, LLC AND SHOULD NOT BE USED WITHOUT WRITTEN PERMISSION		CURRENT REV DESC: ADDED BTB DIST.		<b>molex</b>	
DIMENSION UNITS	SCALE				
mm	NTS			MGRID, SHROUDED HEADER WITH LOCATING PEGS, SMT	
GENERAL TOLERANCES (UNLESS SPECIFIED)				PRODUCT CUSTOMER DRAWING	
ANGULAR TOL	± 3.0°	EC NO: 619055		DOCUMENT NUMBER	
4 PLACES	±	DRWN: HK02	2019/05/21	SD-87832-022	
3 PLACES	±	CHK'D: NMANE02	2019/07/09	DOC TYPE	DOC PART
2 PLACES	± 0.2	APPR: MRAMAKRISHNA	2019/07/09	PSD	001
1 PLACE	±	INITIAL REVISION:		REVISION	
0 PLACES	±	DRWN: ATSEE	2004/11/22	A6	
DRAFT WHERE APPLICABLE MUST REMAIN WITHIN DIMENSIONS		THIRD ANGLE PROJECTION	DRAWING	SERIES	MATERIAL NUMBER
			A3-SIZE	87832	CUSTOMER
					GENERAL MARKET
					SHEET NUMBER
					1 OF 2

**BOARD TO BOARD (BTB) DISTANCE**

HEADER	MATES WITH (RECEPTACLE)	BTB DIST.	PICTORIAL VIEW
87832	79107	8.14	
	78787	8.14	
	79108	8.14	
	79109	8.35	
	78788	8.35	

THIS DRAWING CONTAINS INFORMATION THAT IS PROPRIETARY TO MOLEX ELECTRONIC TECHNOLOGIES, LLC AND SHOULD NOT BE USED WITHOUT WRITTEN PERMISSION		CURRENT REV DESC: ADDED BTB DIST.			
DIMENSION UNITS	SCALE				
mm	NTS			MGRID, SHROUDED HEADER WITH LOCATING PEGS, SMT	
GENERAL TOLERANCES (UNLESS SPECIFIED)		EC NO: 619055		PRODUCT CUSTOMER DRAWING	
ANGULAR TOL	± 3.0 °	DRWN: HK02	2019/05/21	DOCUMENT NUMBER	
4 PLACES	±	CHK'D: NMANE02	2019/07/09	SD-87832-022	
3 PLACES	±	APPR: MRAMAKRISHNA	2019/07/09	DOC TYPE	DOC PART
2 PLACES	± 0.2	INITIAL REVISION:		PSD	001
1 PLACE	±	DRWN: ATSEE	2004/11/22	REVISION	
0 PLACES	±	APPR: SKTOH	2004/11/22	A6	
DRAFT WHERE APPLICABLE MUST REMAIN WITHIN DIMENSIONS		THIRD ANGLE PROJECTION	DRAWING	SERIES	MATERIAL NUMBER
			A3-SIZE	87832	CUSTOMER
					GENERAL MARKET
					SHEET NUMBER
					2 OF 2