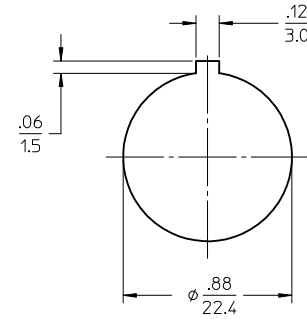
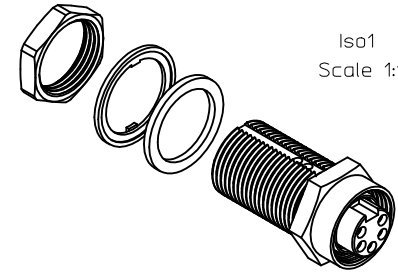


NOTES:

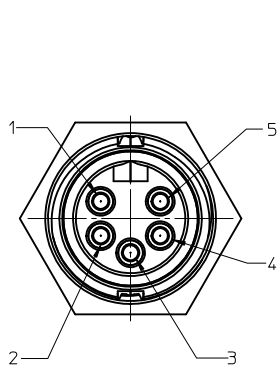
1. MATERIAL: SEE TABLE
2. FINISHES: SEE TABLE
3. PACKAGING: ASSEMBLY IS PACKED IN CLEAR POLY BAG WITH BARCODE LABEL ATTACHED TO OUTSIDE OF BAG
4. MATES WITH: MC 5 POLE CABLE ASSEMBLY
5. ELECTRICAL SPECIFICATIONS:
 VOLTAGE RATING: 600V AC/DC
 CURRENT RATING: BASED ON CABLE USED



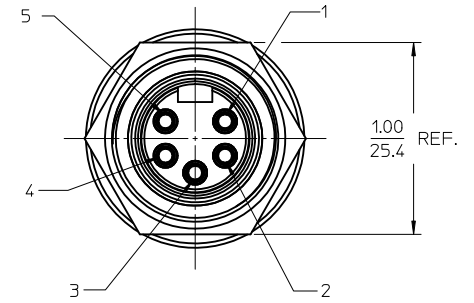
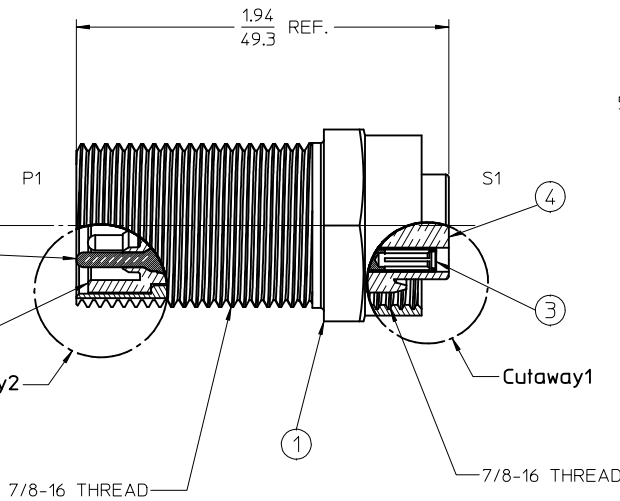
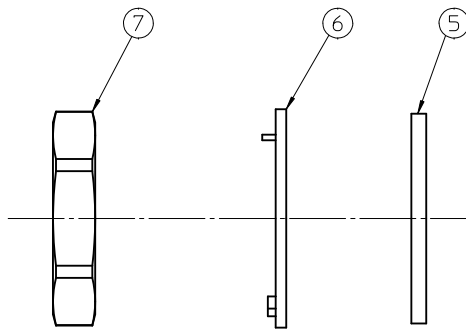
TYPICAL KNOCKOUT



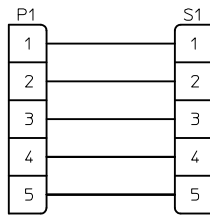
Iso1
Scale 1:1



MALE FACE VIEW



FEMALE FACE VIEW



WIRING DIAGRAM

ITEM	QTY.	DESCRIPTION	MATERIAL	FINISH
7	1	HEXNUT, 7/8-16	BRASS	NICKEL PLATED
6	1	THRUST WASHER	NYLON	
5	1	GASKET SEAL	NEOPRENE	BLACK
4	1	FEMALE INSERT	TPE	GRAY
3	5	PIN/SOCKET CONTACT	Cu ALLOY	GOLD PLATED
2	2	MALE INSERT	TPE	GRAY
1	1	BULKHEAD RECEPTACLE SHELL	BRASS	NICKEL PLATED

RELEASED	EC NO: MNA2010-0417	DRWR:STONE 2010/01/21	CHKD:B.WOODMAN 2010/01/22	APPR:J.MURPHY 2010/01/25
REV	A	DESCRIPTION		

QUALITY SYMBOLS
 = 0
 = 0

GENERAL TOLERANCES (UNLESS SPECIFIED)		
	mm	INCH
4 PLACES	± .005	± .0005
3 PLACES	± .002	± .0002
2 PLACES	± .010	± .0010
1 PLACE	± .03	± .0012
ANGULAR ± 1/2°		
DRAFT WHERE APPLICABLE MUST REMAIN WITHIN DIMENSIONS		

DIMENSION STYLE	
IN/MM	
DRAWN BY	DATE
R.STONE	2010/01/14
CHECKED BY	DATE
B.WOODMAN	2010/01/15
APPROVED BY	DATE
JFMURPHY	2010/01/22
MATERIAL NO.	
848569103	
SIZE	C

SCALE	DESIGN UNITS	THIRD ANGLE PROJECTION
2:1	INCH	
TITLE		
MC BULKHEAD PASS THRU RECEPTACLE, 5 POLE		
MOLEX INCORPORATED		
DOCUMENT NO.	SD-84856-011	SHEET NO. 1 OF 1
THIS DRAWING CONTAINS INFORMATION THAT IS PROPRIETARY TO MOLEX INCORPORATED AND SHOULD NOT BE USED WITHOUT WRITTEN PERMISSION		