

MATERIALS AND FINISHES:

SMP PLUG:
SEE SD-73415-416

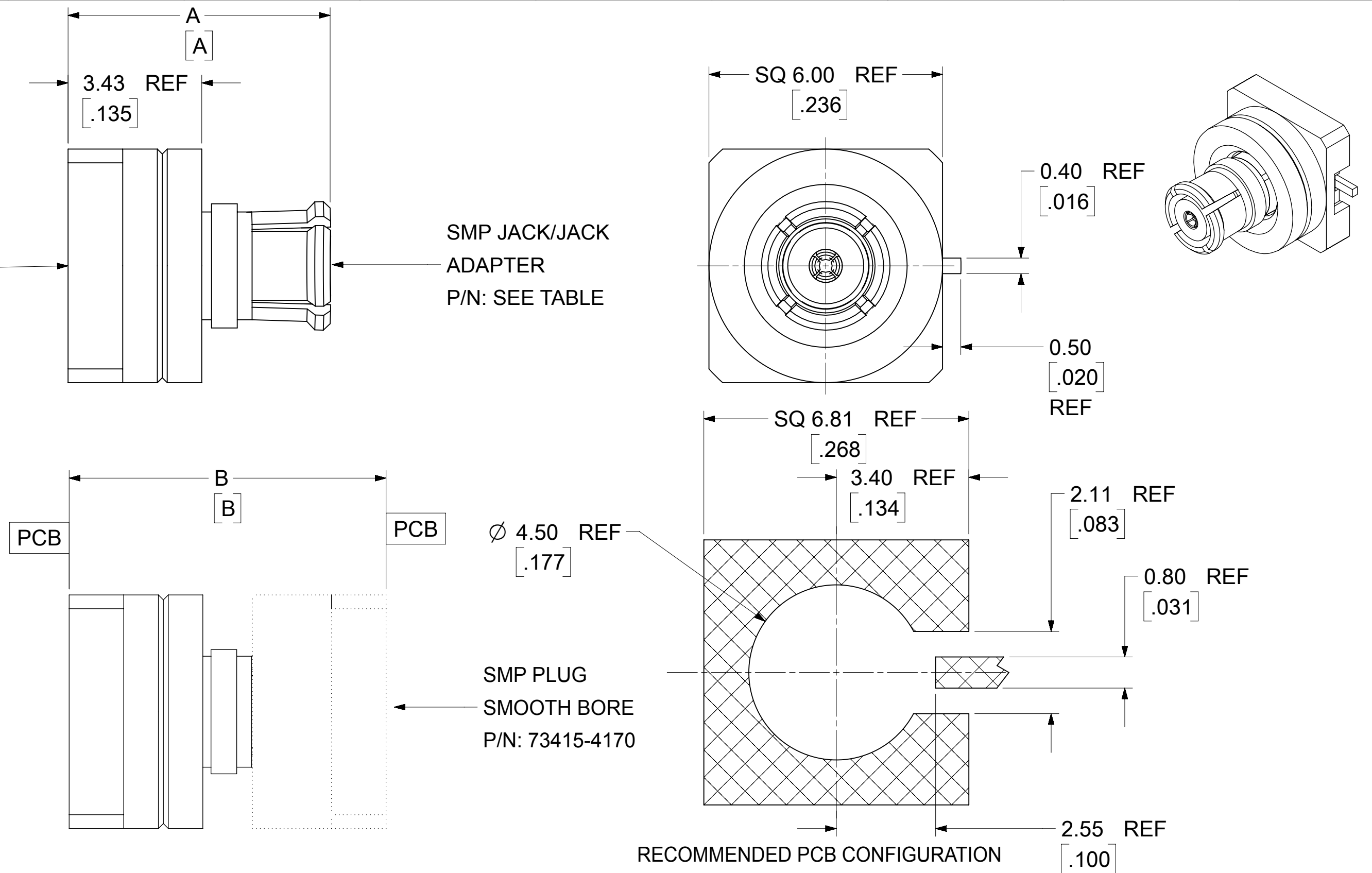
SMP JACK/JACK ADAPTER:
SEE SD-73415-418

KAPTON: POLYIMIDE
COLOR: BLACK

SMP PLUG
FULL DETENT
P/N: 73415-4160

SMP JACK/JACK
ADAPTER
P/N: SEE TABLE

SMP PLUG
SMOOTH BORE
P/N: 73415-4170

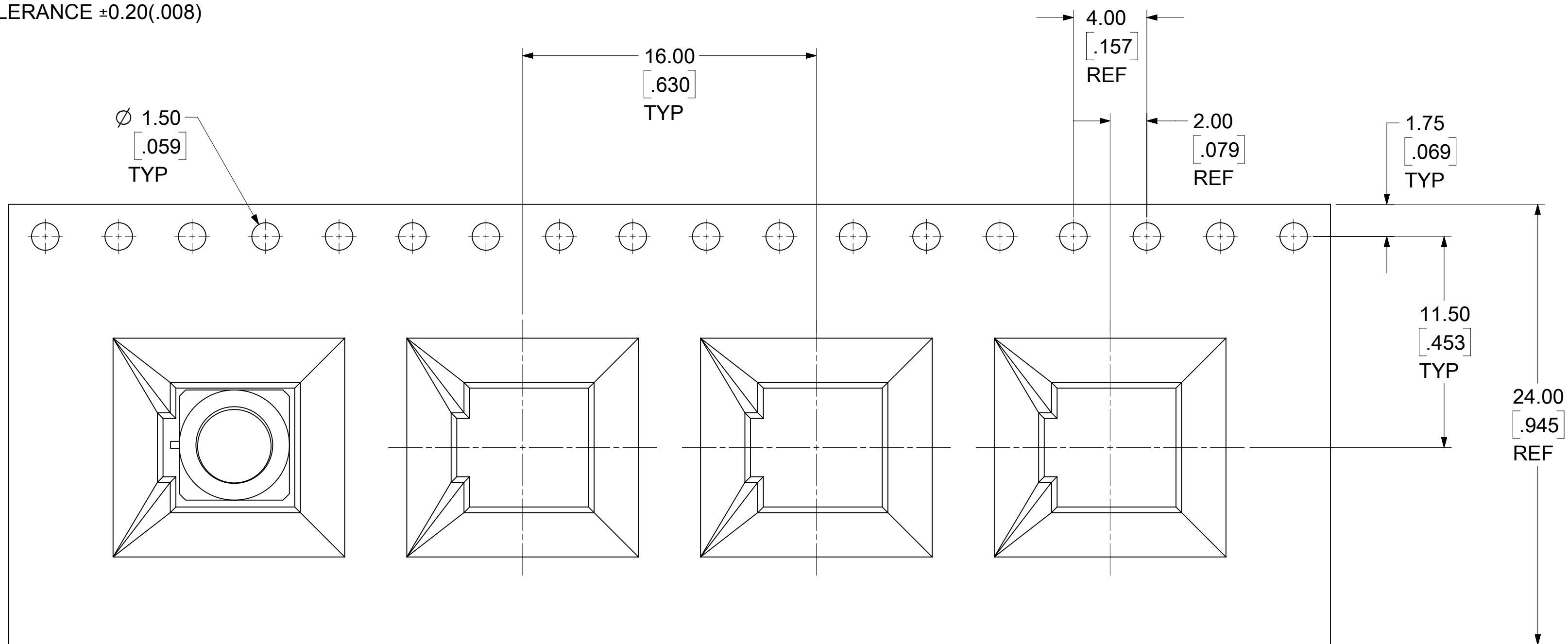


73415-4218	73415-4185	.281±.005	7.14±0.13	.332±.008	8.43±0.20	-4214 ONE PER BAG	895420470
73415-4217	73415-4184	.306±.006	7.77±0.15	.357±.009	9.07±0.23	-4213 ONE PER BAG	895420470
73415-4216	73415-4180	.219±.005	5.56±0.13	.270±.008	6.86±0.20	-4211 ONE PER BAG	895420470
73415-4215	73415-4181	.265±.005	6.73±0.13	.316±.008	8.03±0.20	-4210 ONE PER BAG	895420470
73415-4214	73415-4185	.281±.005	7.14±0.13	.332±.008	8.43±0.20	-4214 WITH TAPE & REEL WITH KAPTON	-----
73415-4213	73415-4184	.306±.006	7.77±0.15	.357±.009	9.07±0.23	-4213 WITH TAPE & REEL WITH KAPTON	-----
73415-4212	73415-4181	.265±.005	6.73±0.13	.316±.008	8.03±0.20	-4210 WITH TAPE & REEL WITH KAPTON	-----
73415-4211	73415-4180	.219±.005	5.56±0.13	.270±.008	6.86±0.20	-4211 WITH TRAY	895420040
73415-4210	73415-4181	.265±.005	6.73±0.13	.316±.008	8.03±0.20	-4210 WITH TRAY	895420040
PART NO.	SMP JACK/JACK	IN	MM	IN	MM	PACKAGING	PACKING SPEC
		DIM A		DIM B			

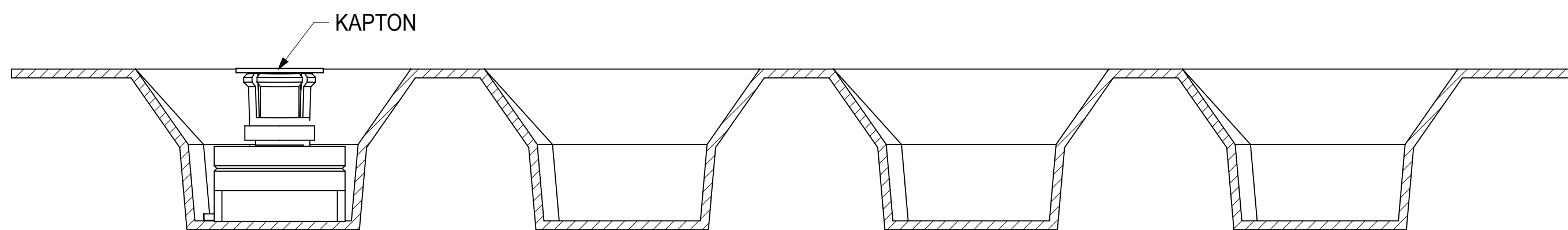
FUNCTIONAL SYMBOLS $\frac{F}{A} = 0$ $\frac{F}{C} = 0$ $\frac{F}{P} = 0$ #####	THIS DRAWING CONTAINS INFORMATION THAT IS PROPRIETARY TO MOLEX ELECTRONIC TECHNOLOGIES, LLC AND SHOULD NOT BE USED WITHOUT WRITTEN PERMISSION		CURRENT REV DESC:																					
	DIMENSION UNITS: MM/IN SCALE: NTS		EWR # 15321-E ADDED -4215, -4216, -4217, -4218 PART NO																					
	GENERAL TOLERANCES (UNLESS SPECIFIED)		EC NO: 718007 DRWN: BSHAH 2020/01/02 CHK'D: YCHENG 2022/08/24 APPR: YCHENG 2022/08/24																					
	<table border="1"> <thead> <tr> <th></th> <th>MM</th> <th>INCH</th> </tr> </thead> <tbody> <tr> <td>4 PLACES</td> <td>±</td> <td>±</td> </tr> <tr> <td>3 PLACES</td> <td>±</td> <td>± 0.01</td> </tr> <tr> <td>2 PLACES</td> <td>± 0.25</td> <td>±</td> </tr> <tr> <td>1 PLACE</td> <td>±</td> <td>±</td> </tr> <tr> <td>0 PLACES</td> <td>±</td> <td>±</td> </tr> <tr> <td>ANGULAR TOL</td> <td colspan="2">± 0.5 °</td> </tr> </tbody> </table>			MM		INCH	4 PLACES	±	±	3 PLACES	±	± 0.01	2 PLACES	± 0.25	±	1 PLACE	±	±	0 PLACES	±	±	ANGULAR TOL	± 0.5 °	
	MM	INCH																						
4 PLACES	±	±																						
3 PLACES	±	± 0.01																						
2 PLACES	± 0.25	±																						
1 PLACE	±	±																						
0 PLACES	±	±																						
ANGULAR TOL	± 0.5 °																							
DRAFT WHERE APPLICABLE MUST REMAIN WITHIN DIMENSIONS		THIRD ANGLE PROJECTION	DRAWING: C-SIZE	SERIES: 73415	DOCUMENT NUMBER: SD-73415-421 DOC TYPE: PSD DOC PART: 001 REVISION: B6																			
MATERIAL NUMBER: SEE TABLE		CUSTOMER:		SHEET NUMBER: 1 OF 7																				

NOTE:

1. 10 PITCHES CUMULATIVE TOLERANCE ±0.20(.008)

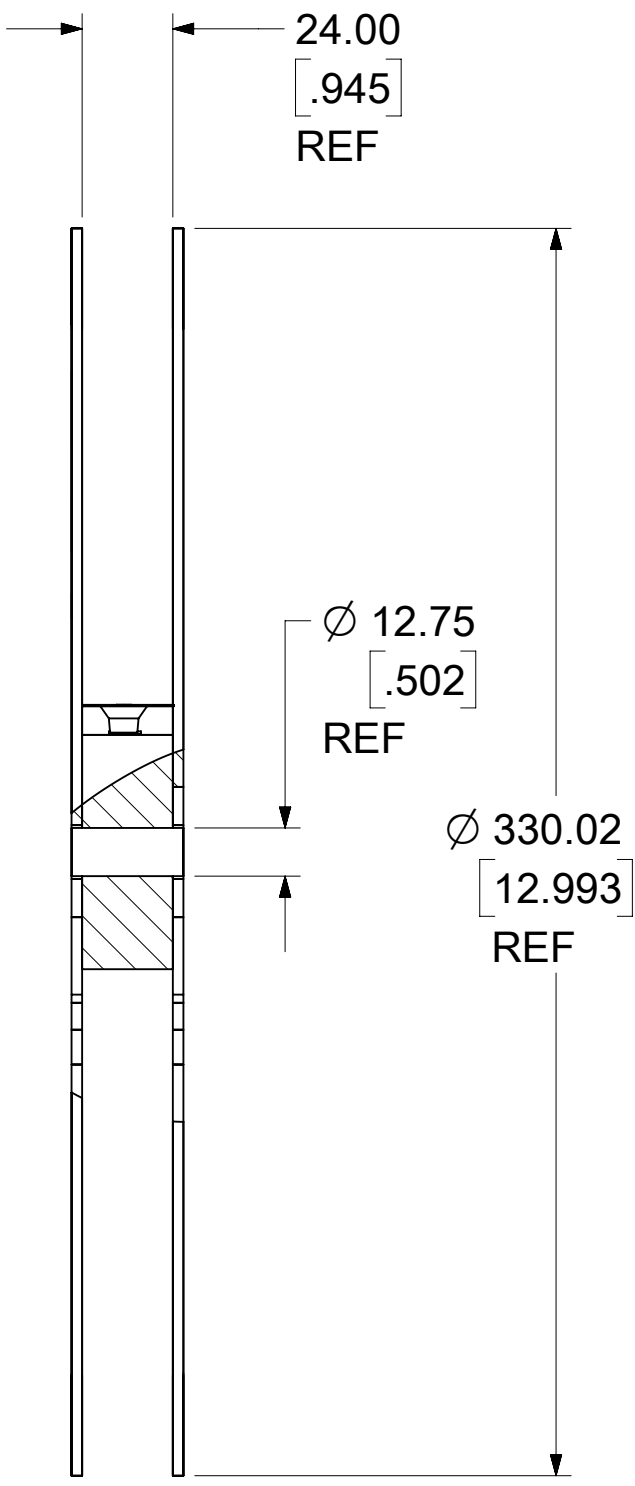


FOR 73415-4212 ONLY

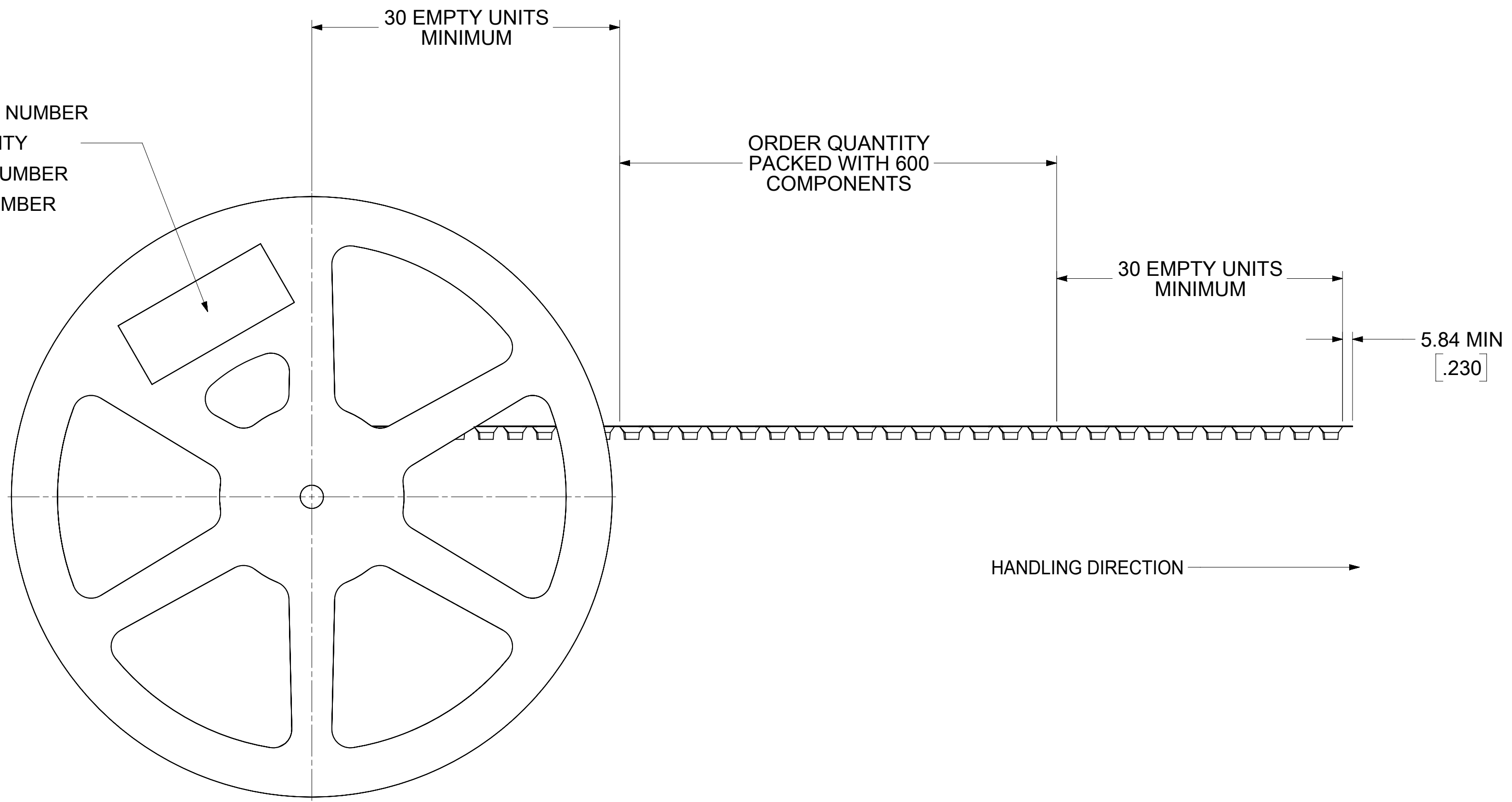


FUNCTIONAL SYMBOLS	THIS DRAWING CONTAINS INFORMATION THAT IS PROPRIETARY TO MOLEX ELECTRONIC TECHNOLOGIES, LLC AND SHOULD NOT BE USED WITHOUT WRITTEN PERMISSION											
	DIMENSION UNITS		SCALE		CURRENT REV DESC:							
$F_A = 0$	MM/IN		NTS		EWR # 15321-E ADDED -4215, -4216, -4217, -4218 PART NO							
$F_C = 0$	GENERAL TOLERANCES (UNLESS SPECIFIED)											
$F_P = 0$	4 PLACES		±		EC NO: 718007						SMP ADAPTER ASSEMBLY 50? EWR-11818, SMP-P/J/PCB	
#####	3 PLACES		±		DRWN: BSHAH 2020/01/02							
	2 PLACES		± 0.25		CHK'D: YCHENG 2022/08/24						PRODUCT CUSTOMER DRAWING	
	1 PLACE		±		APPR: YCHENG 2022/08/24							
	0 PLACES		±		INITIAL REVISION:						DOCUMENT NUMBER SD-73415-421	
	ANGULAR TOL		± 0.5°		DRWN: AZR 2004/03/24							
	DRAFT WHERE APPLICABLE MUST REMAIN WITHIN DIMENSIONS				THIRD ANGLE PROJECTION		DRAWING		SERIES		DOC TYPE DOC PART REVISION PSD 001 B6	
							C-SIZE		73415		MATERIAL NUMBER CUSTOMER SHEET NUMBER SEE TABLE 2 OF 7	

DOCUMENT STATUS	P1	RELEASE DATE	2022/08/24 02:18:05
-----------------	----	--------------	---------------------



LABEL :
 -ORDER NUMBER
 -QUANTITY
 -PART NUMBER
 -LOT NUMBER

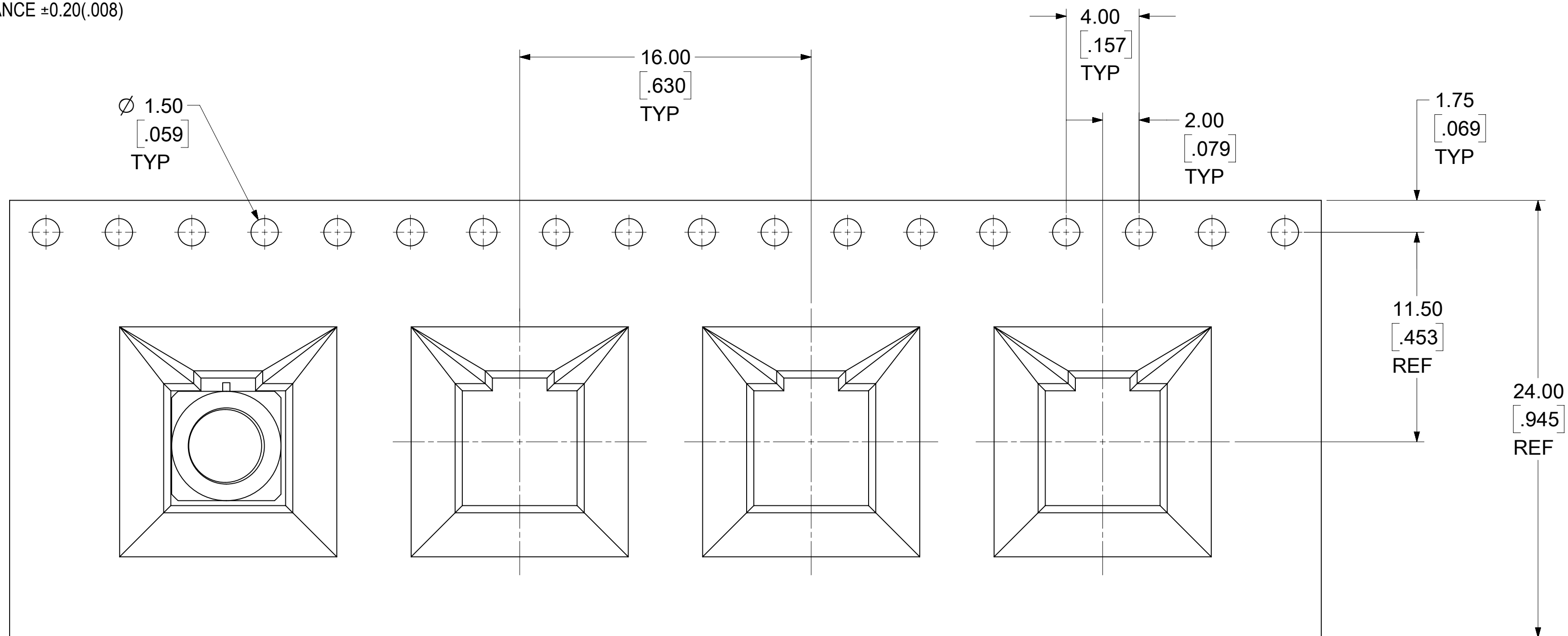


FOR 73415-4212 ONLY

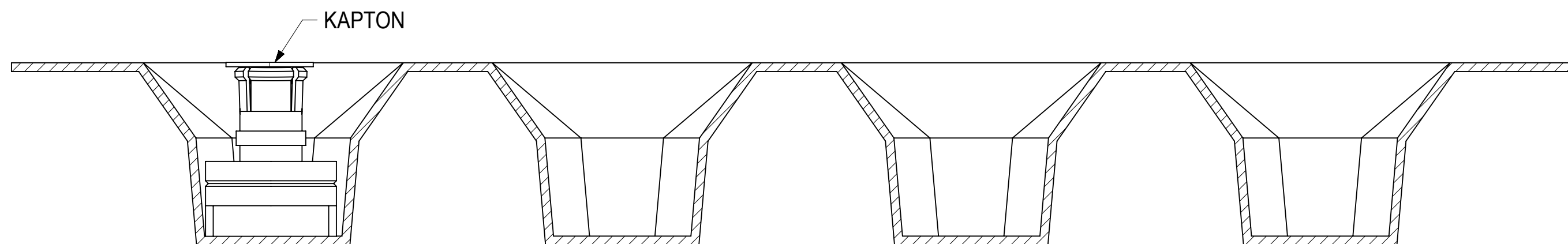
FUNCTIONAL SYMBOLS $\frac{F}{A} = 0$ $\frac{F}{C} = 0$ $\frac{F}{P} = 0$ #####	THIS DRAWING CONTAINS INFORMATION THAT IS PROPRIETARY TO MOLEX ELECTRONIC TECHNOLOGIES, LLC AND SHOULD NOT BE USED WITHOUT WRITTEN PERMISSION												
	DIMENSION UNITS		SCALE		CURRENT REV DESC:								
	MM/IN		NTS		EWR # 15321-E ADDED -4215 , -4216 , -4217 , -4218 PART NO								
	GENERAL TOLERANCES (UNLESS SPECIFIED)												
	4 PLACES		±	±	EC NO: 718007		2020/01/02		SMP ADAPTER ASSEMBLY 50? EWR-11818, SMP-P/J/PCB				
3 PLACES		±	± 0.01	DRWN: BSHAH		2022/08/24							
2 PLACES		± 0.25	±	CHK'D: YCHENG		2022/08/24		PRODUCT CUSTOMER DRAWING					
1 PLACE		±	±	APPR: YCHENG		2022/08/24							
0 PLACES		±	±	INITIAL REVISION:				DOCUMENT NUMBER SD-73415-421					
ANGULAR TOL		± 0.5 °		DRWN: AZR		2004/03/24				DOC TYPE PSD			
DRAFT WHERE APPLICABLE MUST REMAIN WITHIN DIMENSIONS		THIRD ANGLE PROJECTION		DRAWING		SERIES		MATERIAL NUMBER		CUSTOMER		SHEET NUMBER	
				C-SIZE		73415		SEE TABLE				3 OF 7	

NOTE:

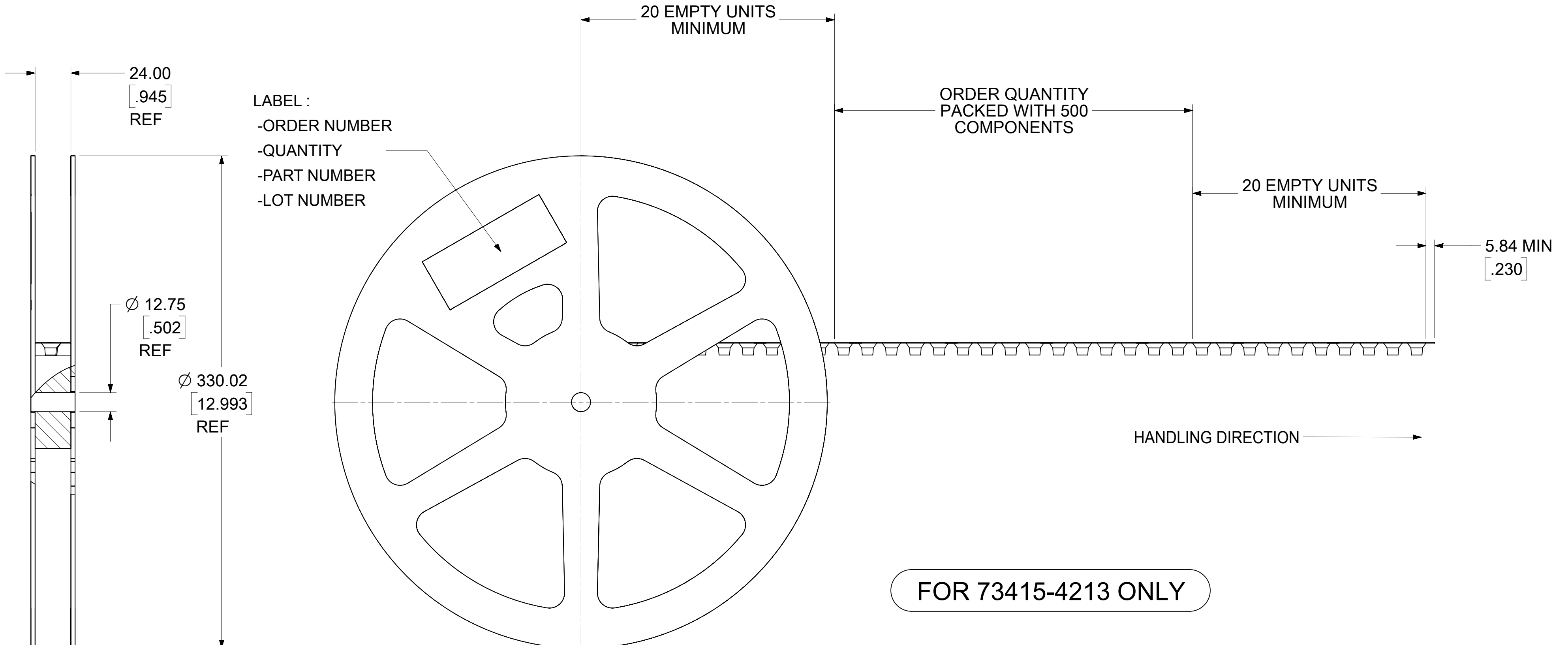
1. 10 PITCHES CUMULATIVE TOLERANCE ±0.20(.008)



FOR 73415-4213 ONLY



FUNCTIONAL SYMBOLS $\frac{F}{A} = 0$ $\frac{F}{C} = 0$ $\frac{F}{P} = 0$ #####	THIS DRAWING CONTAINS INFORMATION THAT IS PROPRIETARY TO MOLEX ELECTRONIC TECHNOLOGIES, LLC AND SHOULD NOT BE USED WITHOUT WRITTEN PERMISSION														
	DIMENSION UNITS		SCALE		CURRENT REV DESC:										
	MM/IN		NTS		EWR # 15321-E ADDED -4215, -4216, -4217, -4218 PART NO										
	GENERAL TOLERANCES (UNLESS SPECIFIED)										EC NO: 718007				
	4 PLACES		±	±	DRWN: BSHAH		2020/01/02				SMP ADAPTER ASSEMBLY 50? EWR-11818, SMP-P/J/PCB				
	3 PLACES		±	± 0.01	CHK'D: YCHENG		2022/08/24				PRODUCT CUSTOMER DRAWING				
	2 PLACES		± 0.25	±	APPR: YCHENG		2022/08/24				DOCUMENT NUMBER				
	1 PLACE		±	±	INITIAL REVISION:		2004/03/24				SD-73415-421		PSD	001	B6
	0 PLACES		±	±	DRWN: AZR		2004/03/24				MATERIAL NUMBER		CUSTOMER		SHEET NUMBER
	ANGULAR TOL		± 0.5°		APPR: JDW						SEE TABLE				4 OF 7



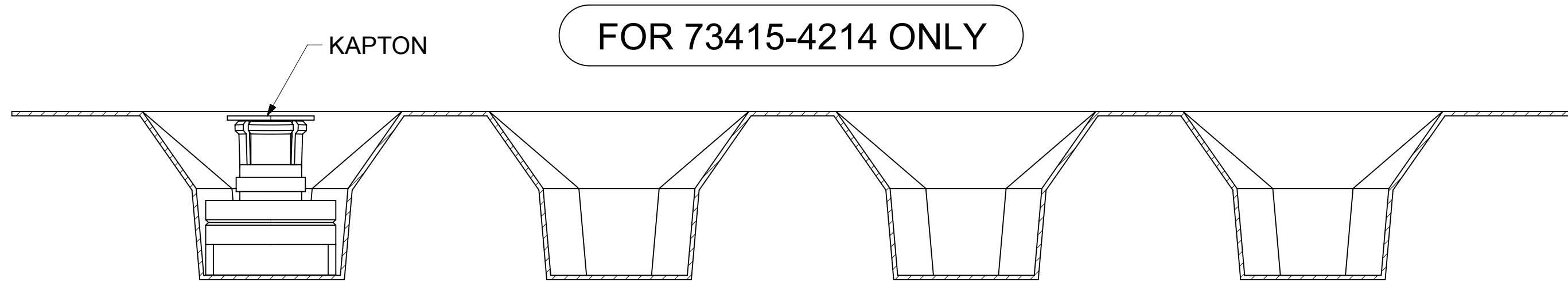
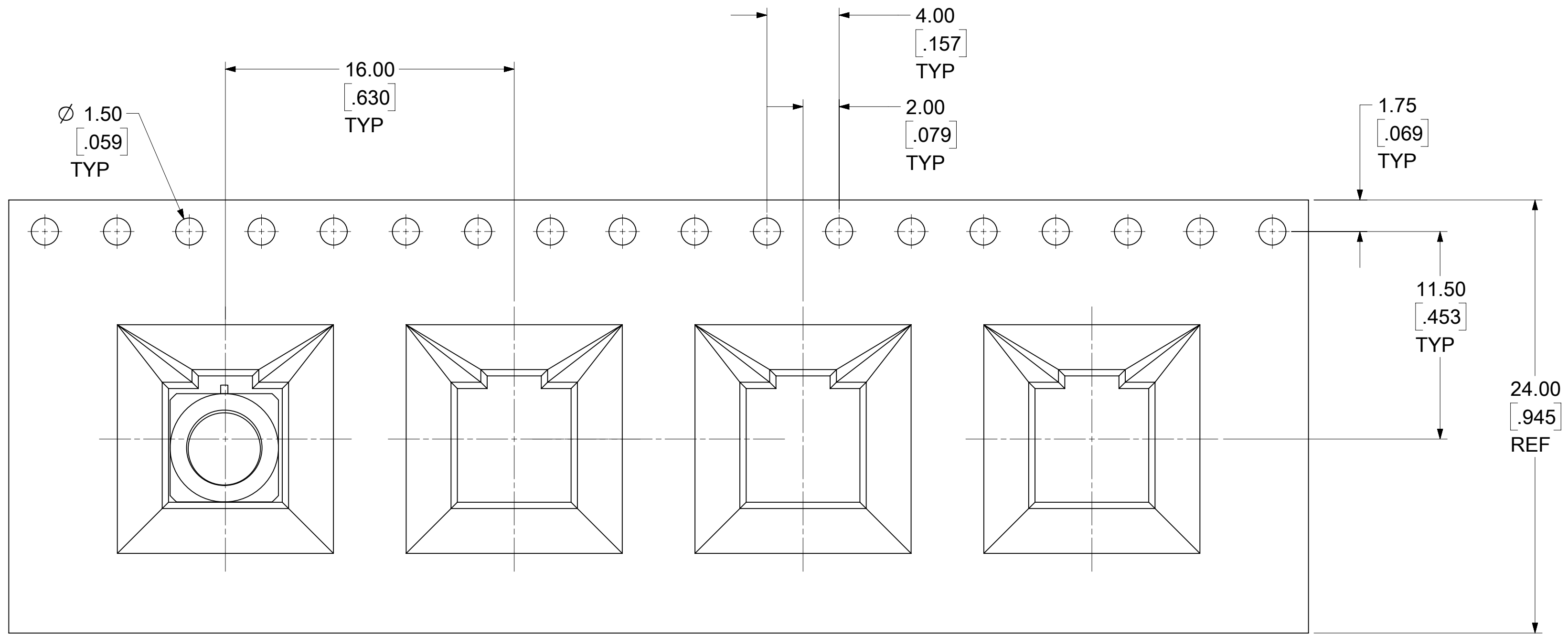
LABEL :
 -ORDER NUMBER
 -QUANTITY
 -PART NUMBER
 -LOT NUMBER

FOR 73415-4213 ONLY

SEE SHEET 1 FOR PCB LAYOUT

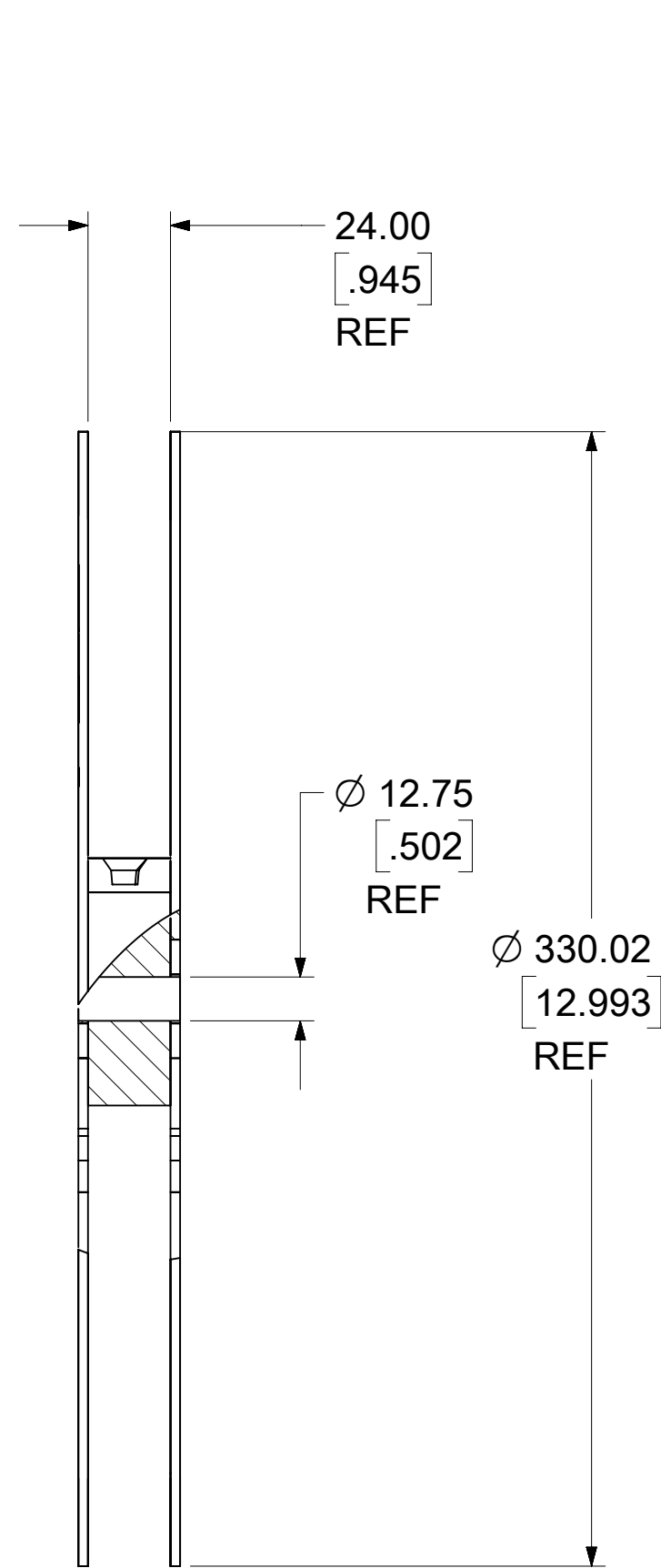
FUNCTIONAL SYMBOLS $\nabla_A = 0$ $\nabla_C = 0$ $\nabla_P = 0$ #####	THIS DRAWING CONTAINS INFORMATION THAT IS PROPRIETARY TO MOLEX ELECTRONIC TECHNOLOGIES, LLC AND SHOULD NOT BE USED WITHOUT WRITTEN PERMISSION												
	DIMENSION UNITS		SCALE		CURRENT REV DESC:								
	MM/IN		NTS		EWR # 15321-E ADDED -4215 , -4216 , -4217 , -4218 PART NO								
	GENERAL TOLERANCES (UNLESS SPECIFIED)										SMP ADAPTER ASSEMBLY 50? EWR-11818, SMP-P/J/PCB		
	4 PLACES		±		EC NO: 718007								
	3 PLACES		±	± 0.01	DRWN: BSHAH 2020/01/02								
	2 PLACES		±	0.25	CHK'D: YCHENG 2022/08/24								
	1 PLACE		±		APPR: YCHENG 2022/08/24								
	0 PLACES		±		INITIAL REVISION:								
	ANGULAR TOL		±	0.5 °	DRWN: AZR 2004/03/24								
DRAFT WHERE APPLICABLE MUST REMAIN WITHIN DIMENSIONS		THIRD ANGLE PROJECTION		DRAWING		SERIES		MATERIAL NUMBER		CUSTOMER		SHEET NUMBER	
				C-SIZE		73415		SEE TABLE				5 OF 7	

DOCUMENT STATUS	P1	RELEASE DATE	2022/08/24 02:18:05
-----------------	----	--------------	---------------------

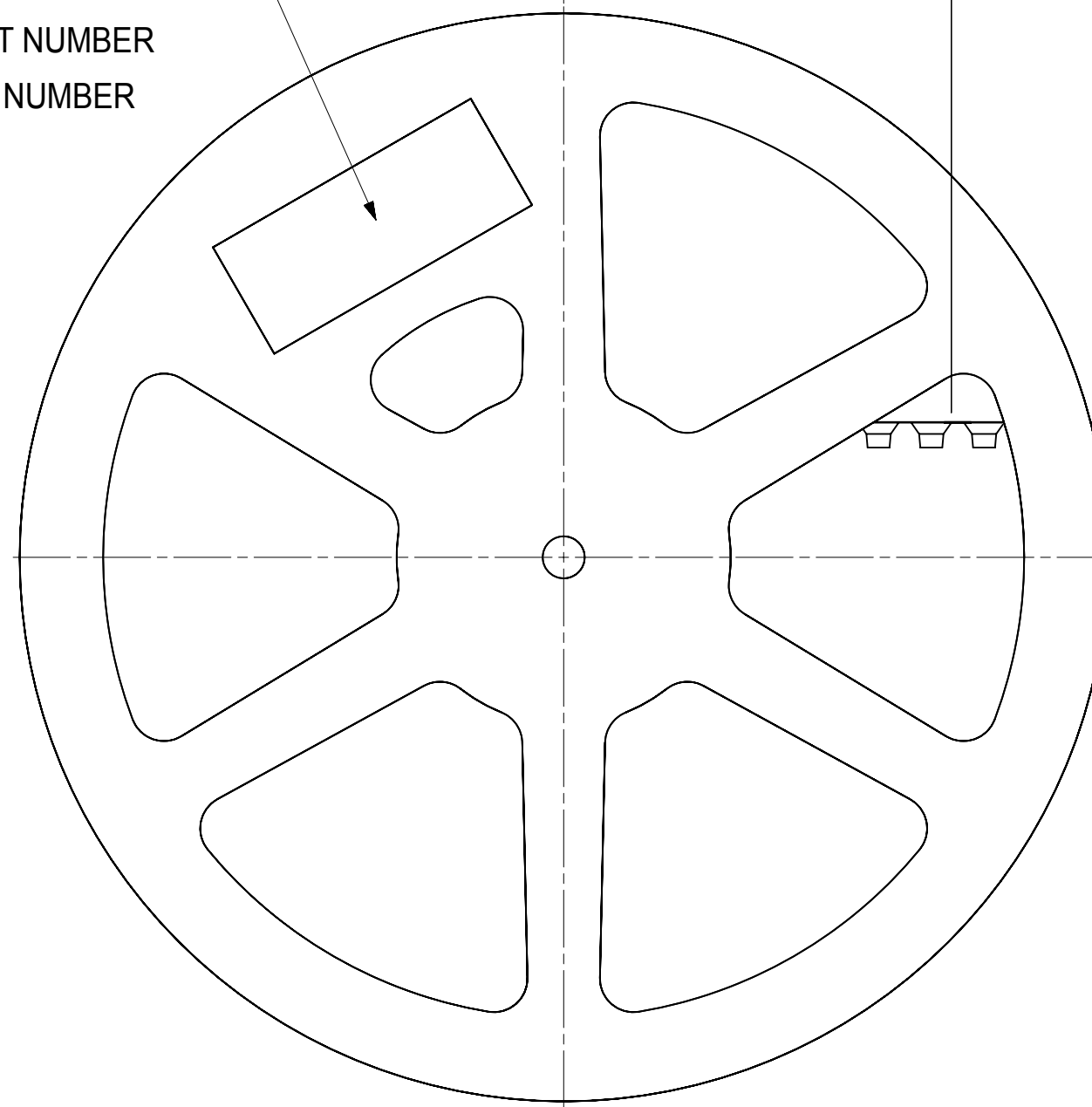


FUNCTIONAL SYMBOLS $\nabla_A = 0$ $\nabla_C = 0$ $\nabla_P = 0$ #####	THIS DRAWING CONTAINS INFORMATION THAT IS PROPRIETARY TO MOLEX ELECTRONIC TECHNOLOGIES, LLC AND SHOULD NOT BE USED WITHOUT WRITTEN PERMISSION			
	DIMENSION UNITS		SCALE	
	MM/IN		NTS	
	GENERAL TOLERANCES (UNLESS SPECIFIED)			
	4 PLACES	±		
3 PLACES	±	0.01		
2 PLACES	±	0.25		
1 PLACE	±			
0 PLACES	±			
ANGULAR TOL		± 0.5 °		
DRAFT WHERE APPLICABLE MUST REMAIN WITHIN DIMENSIONS		THIRD ANGLE PROJECTION		
		DRAWING		
		SERIES		
		MATERIAL NUMBER		
		CUSTOMER		
		SHEET NUMBER		

CURRENT REV DESC:			
EWR # 15321-E ADDED -4215 , -4216 , -4217 , -4218 PART NO			
EC NO: 718007		SMP ADAPTER ASSEMBLY 50? EWR-11818, SMP-P/J/PCB	
DRWN: BSHAH		2020/01/02	
CHK'D: YCHENG		2022/08/24	
APPR: YCHENG		2022/08/24	
INITIAL REVISION:		PRODUCT CUSTOMER DRAWING	
DRWN: AZR		DOCUMENT NUMBER	
APPR: JDW		SD-73415-421	
2004/03/24		DOC TYPE	
2004/03/24		PSD	
		DOC PART	
		001	
		REVISION	
		B6	
		MATERIAL NUMBER	
		SEE TABLE	
		CUSTOMER	
		SHEET NUMBER	
		6 OF 7	



LABEL:
-ORDER NUMBER
-QUANTITY
-PART NUMBER
-LOT NUMBER



25 EMPTY UNITS
MINIMUM

ORDER QUANTITY
PACKED WITH 500
COMPONENTS

25 EMPTY UNITS
MINIMUM

5.84
[.230]
MIN

HANDLING DIRECTION →

FOR 73415-4214 ONLY

FUNCTIONAL SYMBOLS $\frac{F}{A} = 0$ $\frac{F}{C} = 0$ $\frac{F}{P} = 0$ #####	THIS DRAWING CONTAINS INFORMATION THAT IS PROPRIETARY TO MOLEX ELECTRONIC TECHNOLOGIES, LLC AND SHOULD NOT BE USED WITHOUT WRITTEN PERMISSION														
	DIMENSION UNITS		SCALE		CURRENT REV DESC:										
	MM/IN		NTS		EWR # 15321-E ADDED -4215 , -4216 , -4217 , -4218 PART NO										
	GENERAL TOLERANCES (UNLESS SPECIFIED)										SMP ADAPTER ASSEMBLY 50? EWR-11818, SMP-P/J/PCB PRODUCT CUSTOMER DRAWING				
	4 PLACES		±	±	EC NO: 718007		2020/01/02		DOCUMENT NUMBER				DOC TYPE	DOC PART	REVISION
	3 PLACES		±	± 0.01	DRWN: BSHAH		2022/08/24		SD-73415-421				PSD	001	B6
	2 PLACES		± 0.25	±	CHK'D: YCHENG		2022/08/24								
	1 PLACE		±	±	APPR: YCHENG		2022/08/24								
	0 PLACES		±	±	INITIAL REVISION:		2004/03/24		MATERIAL NUMBER		CUSTOMER		SHEET NUMBER		
	ANGULAR TOL		± 0.5 °		DRWN: AZR		2004/03/24		SEE TABLE				7 OF 7		
DRAFT WHERE APPLICABLE MUST REMAIN WITHIN DIMENSIONS				THIRD ANGLE PROJECTION		DRAWING		SERIES							
						C-SIZE		73415							