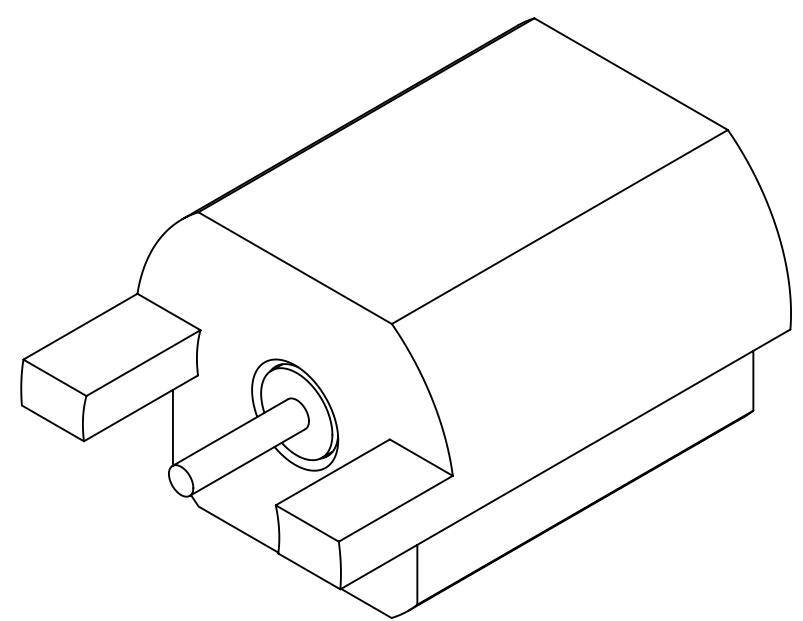
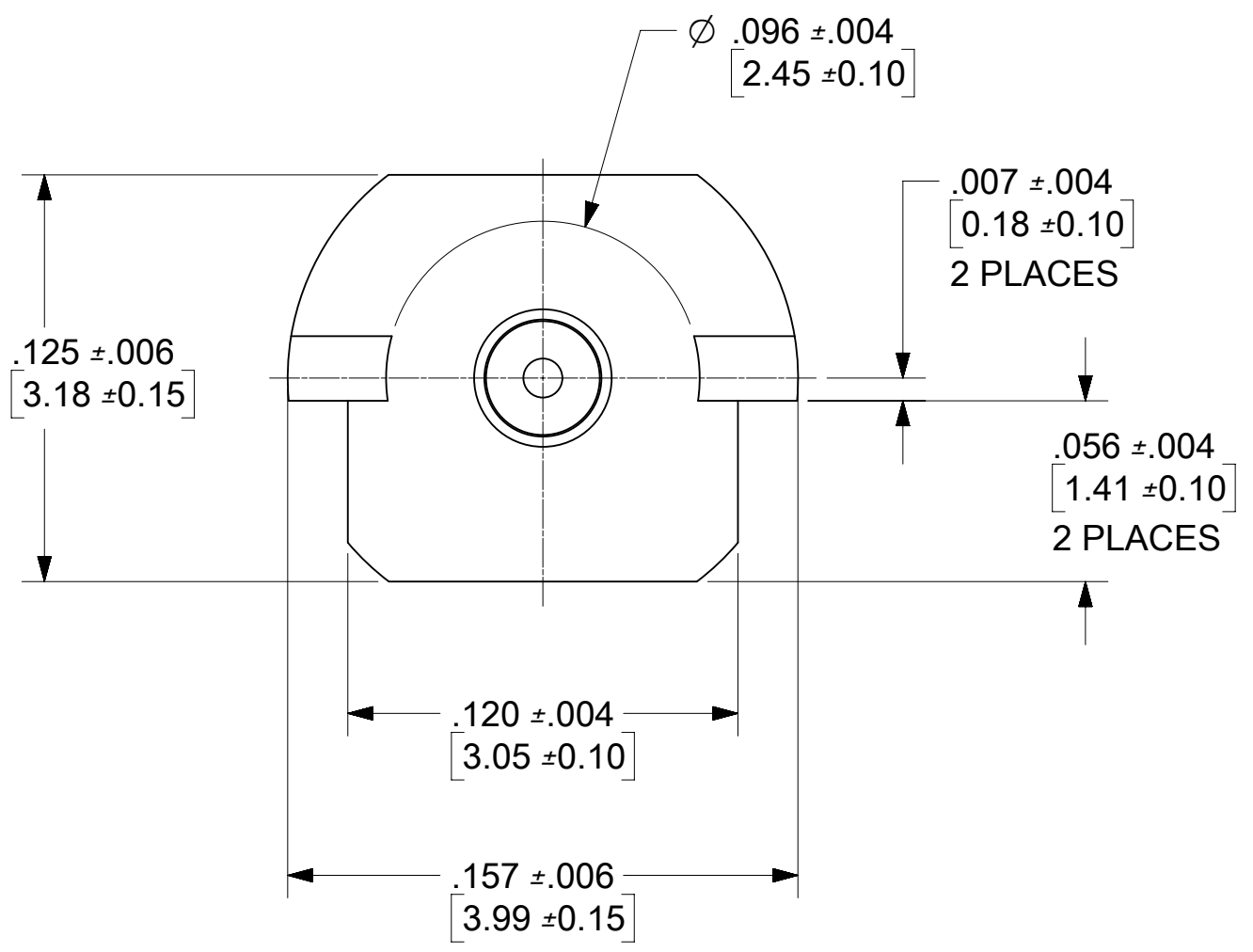
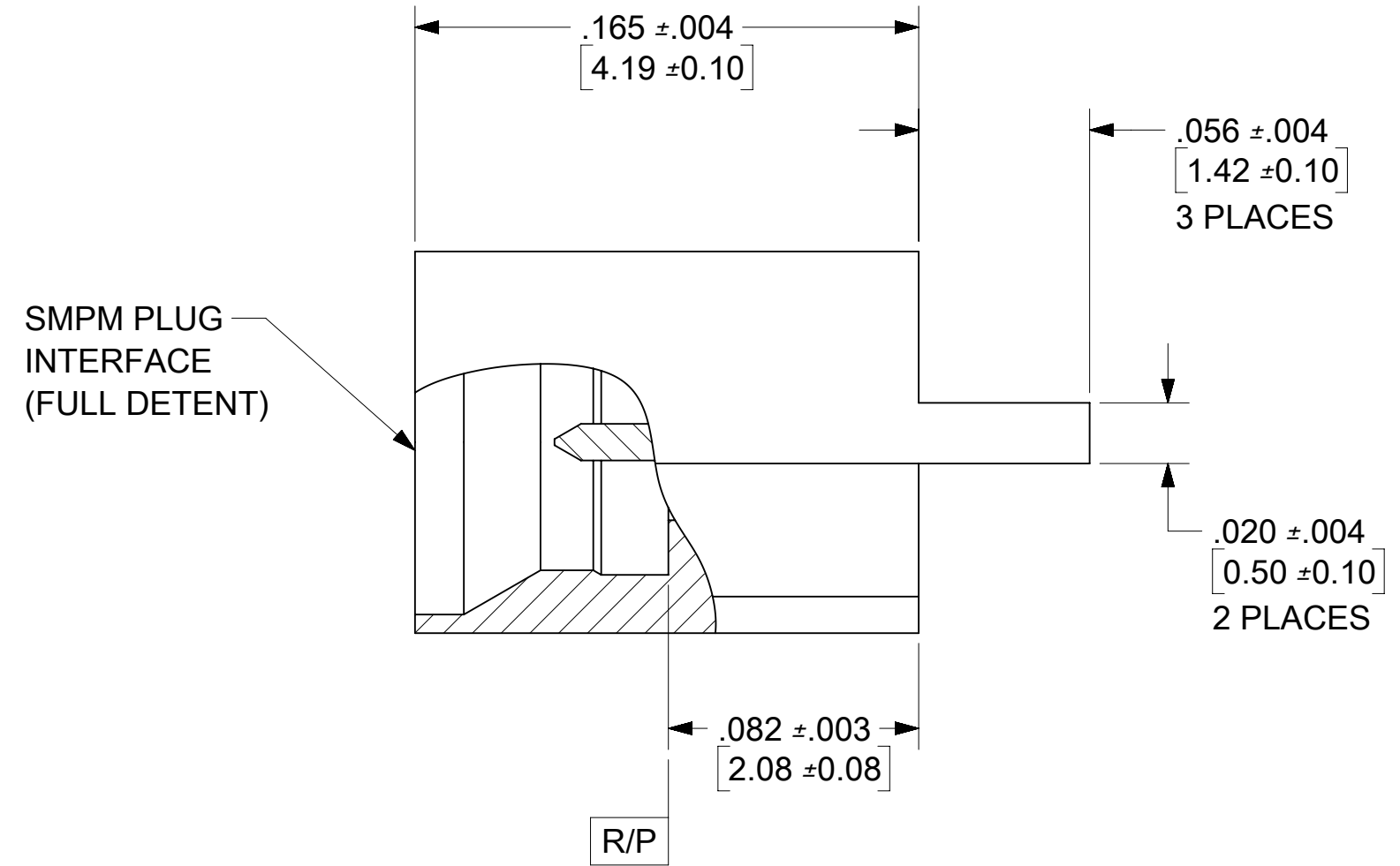
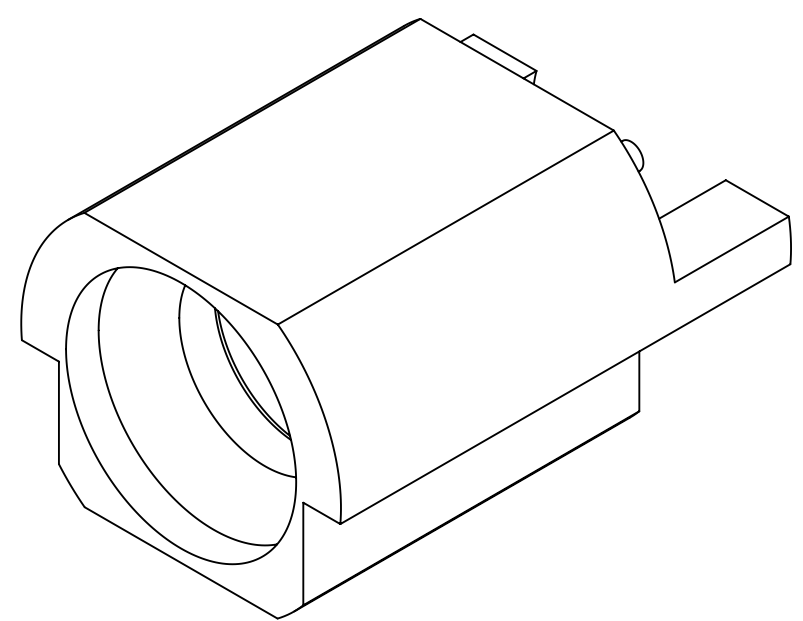
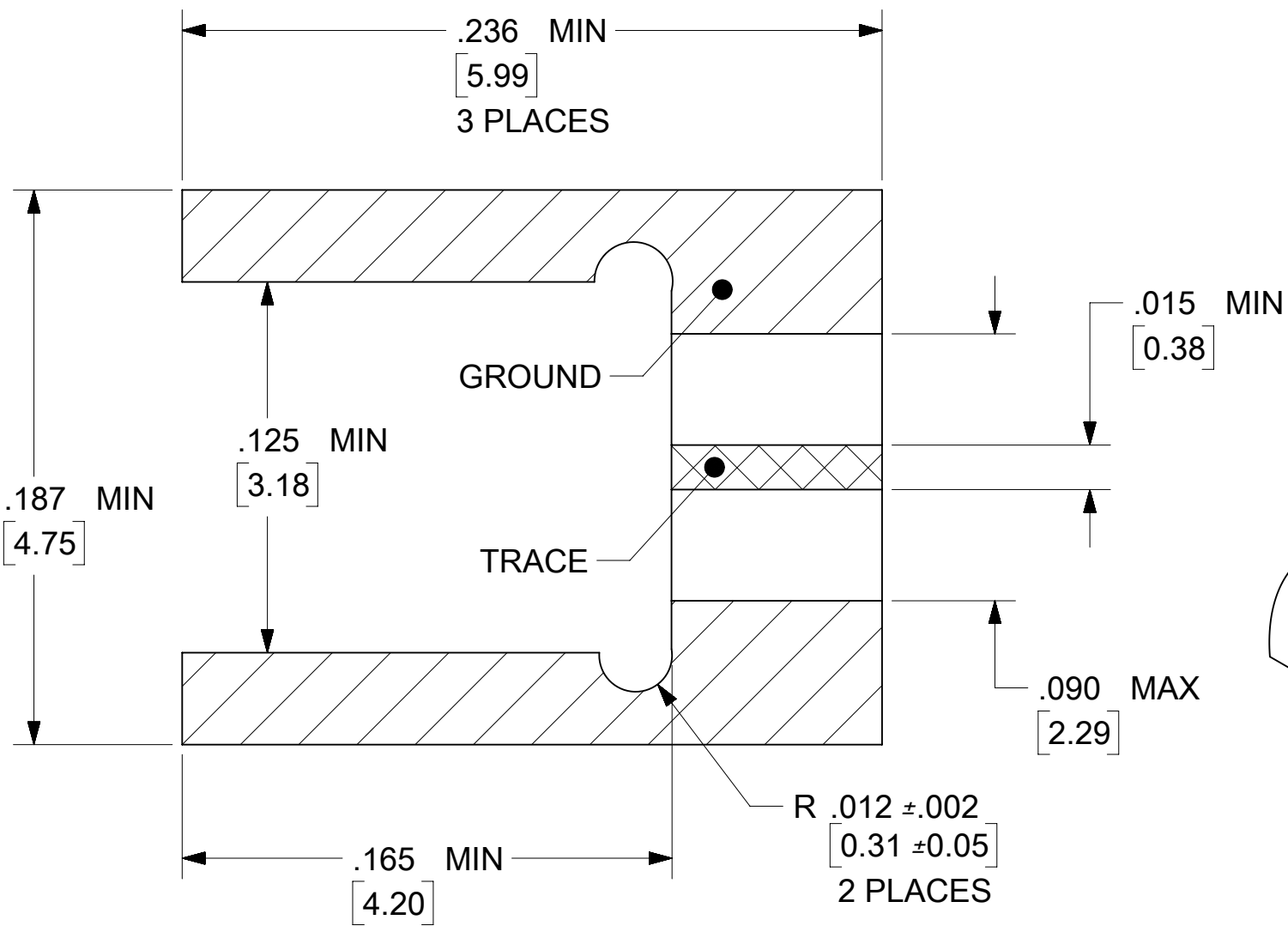
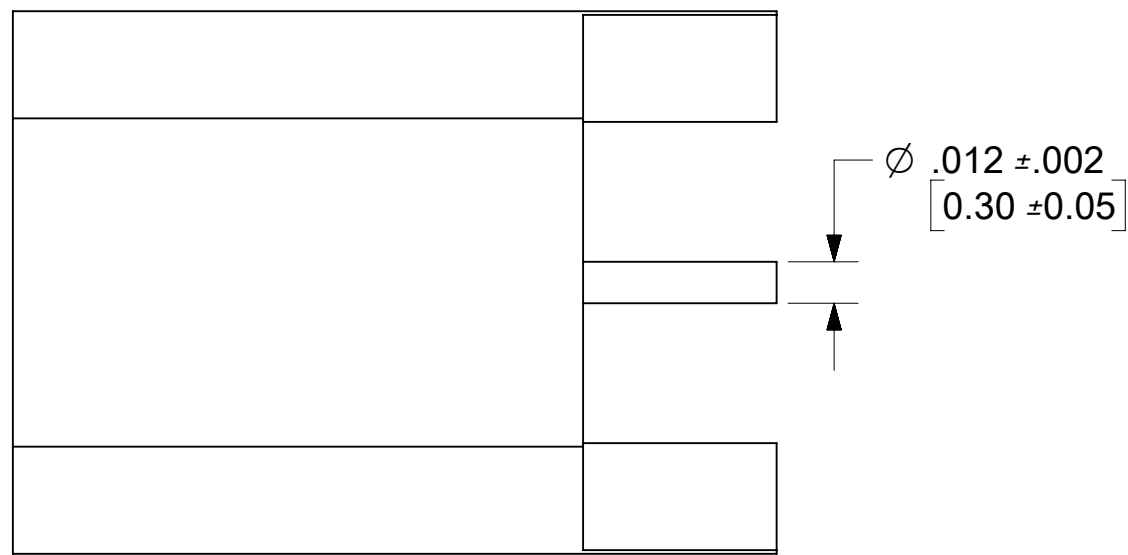


MATERIAL AND FINISH

BODY: BRASS  
 PLATED GOLD (30μ-in MIN) OVER  
 NICKEL (100μ-in MIN)

CONTACT: BERYLLIUM COPPER  
 PLATED GOLD (30μ-in MIN) OVER  
 NICKEL (100μ-in MIN)

INSULATOR: PTFE



73300-0022	73300-0020 TAPE AND REEL (1000 PCS PER REEL)		
73300-0021	73300-0020 TAPE AND REEL (500 PCS PER REEL)		
73300-0020	SMPM PLUG FD INTERFACE (TRAY 80 CAVITY)	MIL-STD-348B, FIG. 328-2	INTERFACE
PART NO.	PACKAGING	SPECIFICATION	DESCRIPTION

THIS DRAWING CONTAINS INFORMATION THAT IS PROPRIETARY TO MOLEX ELECTRONIC TECHNOLOGIES, LLC AND SHOULD NOT BE USED WITHOUT WRITTEN PERMISSION

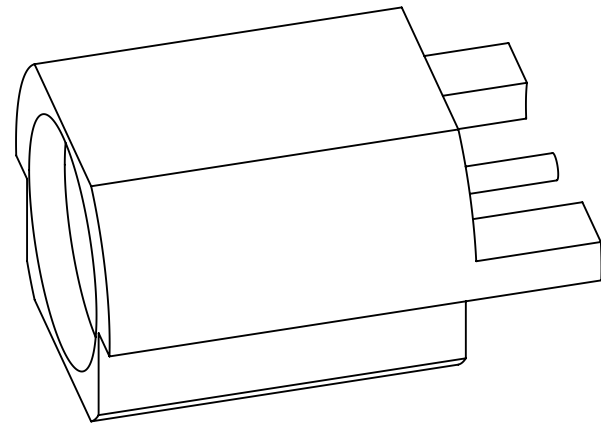
QUALITY SYMBOLS	2017/08/15 DRWN: SH001 2017/11/27 CHKD: SSSHAH 2017/11/27 REV / APPR: AROBERTSON	GENERAL TOLERANCES (UNLESS SPECIFIED)		DIMENSION UNITS	SCALE
▽ = 0 ▽ = 0 ▽ = 0 ▽ = 0 ▽ = 0 ▽ = 0 ▽ = 0 ▽ = 0 ▽ = 0		INCH	NTS	INCH	DATE
		MM	INCH	DRWN BY	DATE
		4 PLACES ±	±	JLEE	2007/09/20
		3 PLACES ±	±	CHK'D BY	DATE
		2 PLACES ±	±	SSS	2007/09/20
		1 PLACES ±	±	APPR BY	DATE
		0 PLACES ±	±	JWIENER	2007/09/20
		ANGULAR TOL = 2.0		DRAWING SIZE	THIRD ANGLE PROJECTION
		DRAFT WHERE APPLICABLE MUST REMAIN WITHIN DIMENSIONS		C	

SMPM PLUG EDGE MOUNT  
 50 OHMS, FULL DETENT  
 SMPM-P/PCB, EWR-11427

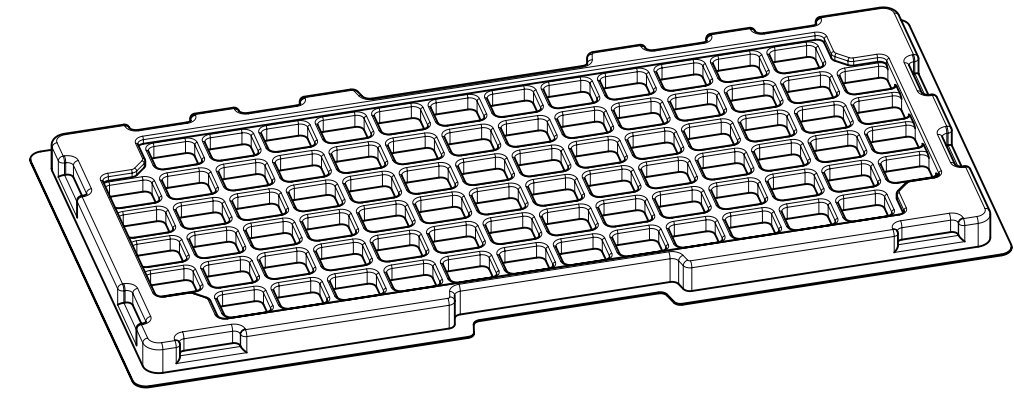
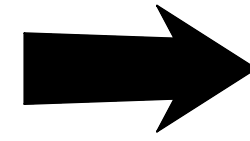
PRODUCT CUSTOMER DRAWING

SERIES	MATERIAL NUMBER	CUSTOMER
73300	SEE TABLE	

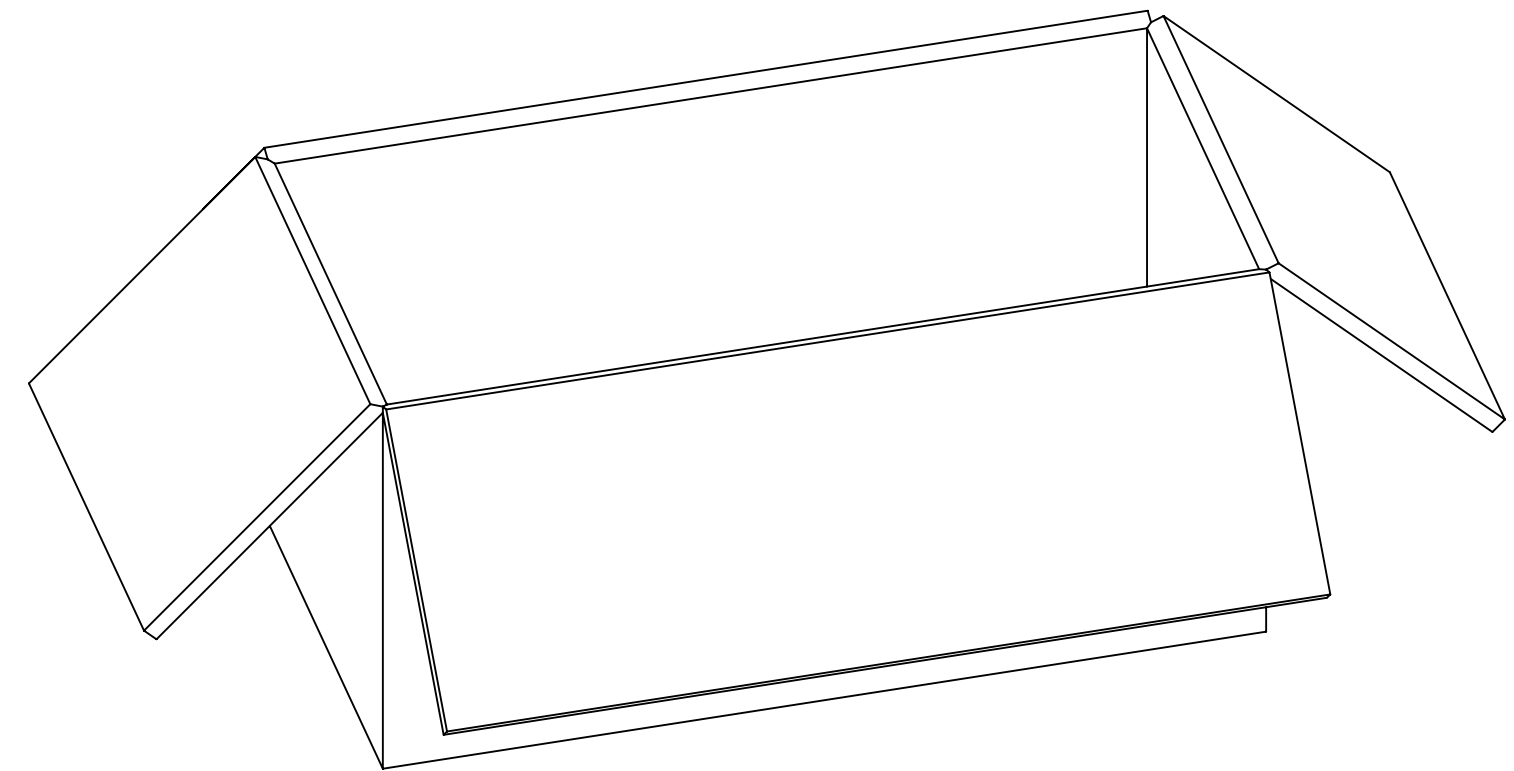
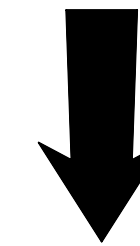
DOCUMENT NUMBER	DOC TYPE	DOC PART	SHEET NUMBER
SD-73300-002	PSD	001	1 OF 5



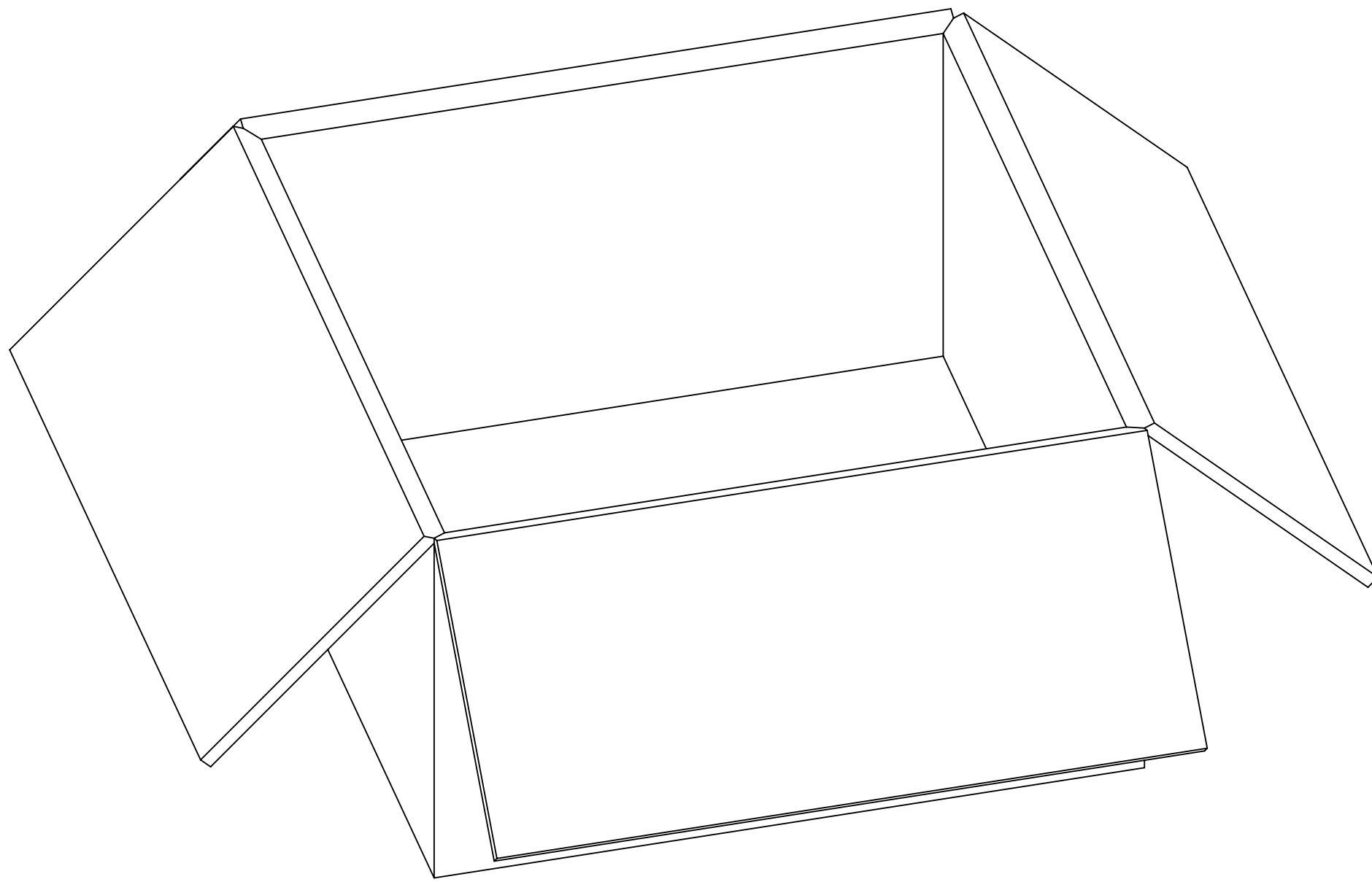
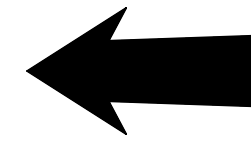
**P/N: 73300-0020**



**80 SETS PER TRAY  
P/N: 89707-0190**

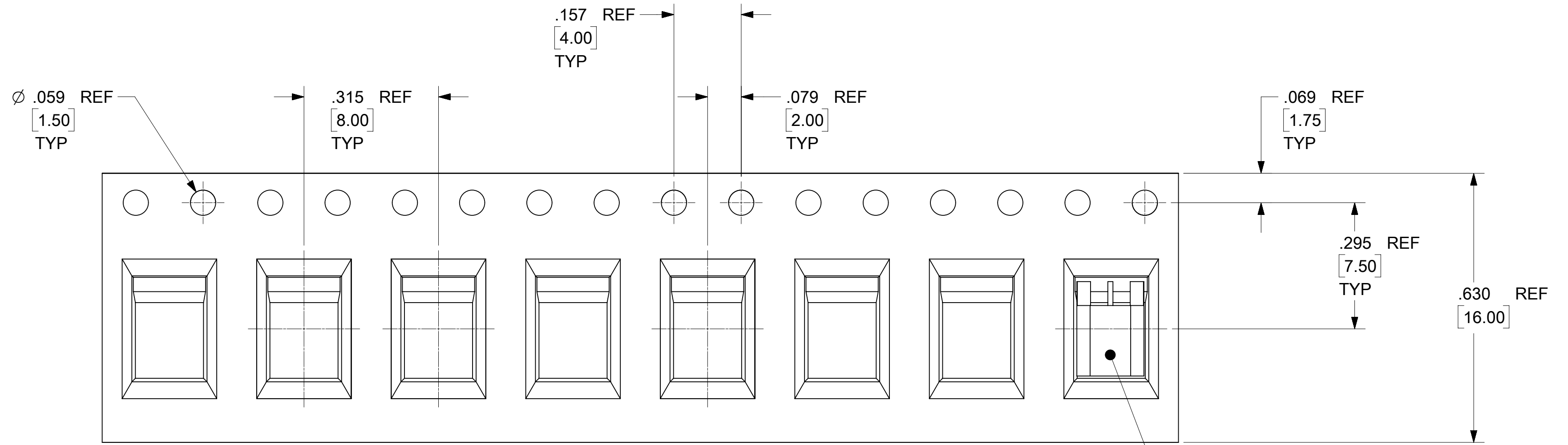


**1600 SETS PER  
INNER CARTON BOX  
P/N: 96707-0001**



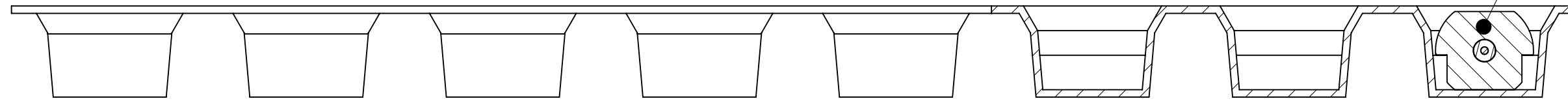
**3200 SETS PER  
OUTER CARTON BOX  
P/N: 96708-0005**

QUALITY SYMBOLS	THIS DRAWING CONTAINS INFORMATION THAT IS PROPRIETARY TO MOLEX ELECTRONIC TECHNOLOGIES, LLC AND SHOULD NOT BE USED WITHOUT WRITTEN PERMISSION														
▽ = 0	MIGRATED	2017/08/15 2017/11/27	GENERAL TOLERANCES (UNLESS SPECIFIED)		DIMENSION UNITS		SCALE								
▽ = 0			MM	INCH	INCH	NTS									
▽ = 0			4 PLACES ±	±	DRWN BY	DATE	<b>SMPM PLUG EDGE MOUNT 50 OHMS, FULL DETENT SMPM-P/PCB, EWR-11427</b>								
▽ = 0			3 PLACES ±	±	JLEE	2007/09/20									
▽ = 0			2 PLACES ±	±	CHK'D BY	DATE	<b>PRODUCT CUSTOMER DRAWING</b>								
▽ = 0			1 PLACES ±	±	SSS	2007/09/20									
▽ = 0	0 PLACES ±	±	APPR BY	DATE	<table border="1"> <tr> <td>SERIES</td> <td>MATERIAL NUMBER</td> <td>CUSTOMER</td> </tr> <tr> <td>73300</td> <td>SEE TABLE</td> <td></td> </tr> </table>			SERIES	MATERIAL NUMBER	CUSTOMER	73300	SEE TABLE			
SERIES	MATERIAL NUMBER	CUSTOMER													
73300	SEE TABLE														
☒ = 0	ANGULAR TOL = 2.0		JWIENER	2007/09/20	<table border="1"> <tr> <td>DOCUMENT NUMBER</td> <td>DOC TYPE</td> <td>DOC PART</td> <td>SHEET NUMBER</td> </tr> <tr> <td>SD-73300-002</td> <td>PSD</td> <td>001</td> <td>2 OF 5</td> </tr> </table>			DOCUMENT NUMBER	DOC TYPE	DOC PART	SHEET NUMBER	SD-73300-002	PSD	001	2 OF 5
DOCUMENT NUMBER	DOC TYPE	DOC PART	SHEET NUMBER												
SD-73300-002	PSD	001	2 OF 5												
■ = 0	DRAFT WHERE APPLICABLE MUST REMAIN WITHIN DIMENSIONS		DRAWING SIZE	THIRD ANGLE PROJECTION											
▽ = 0			C												
	EC NO: 168078	DRWN: SH001	CHKD: SSSHAH	REV / APPR: AROBERTSON	C3										

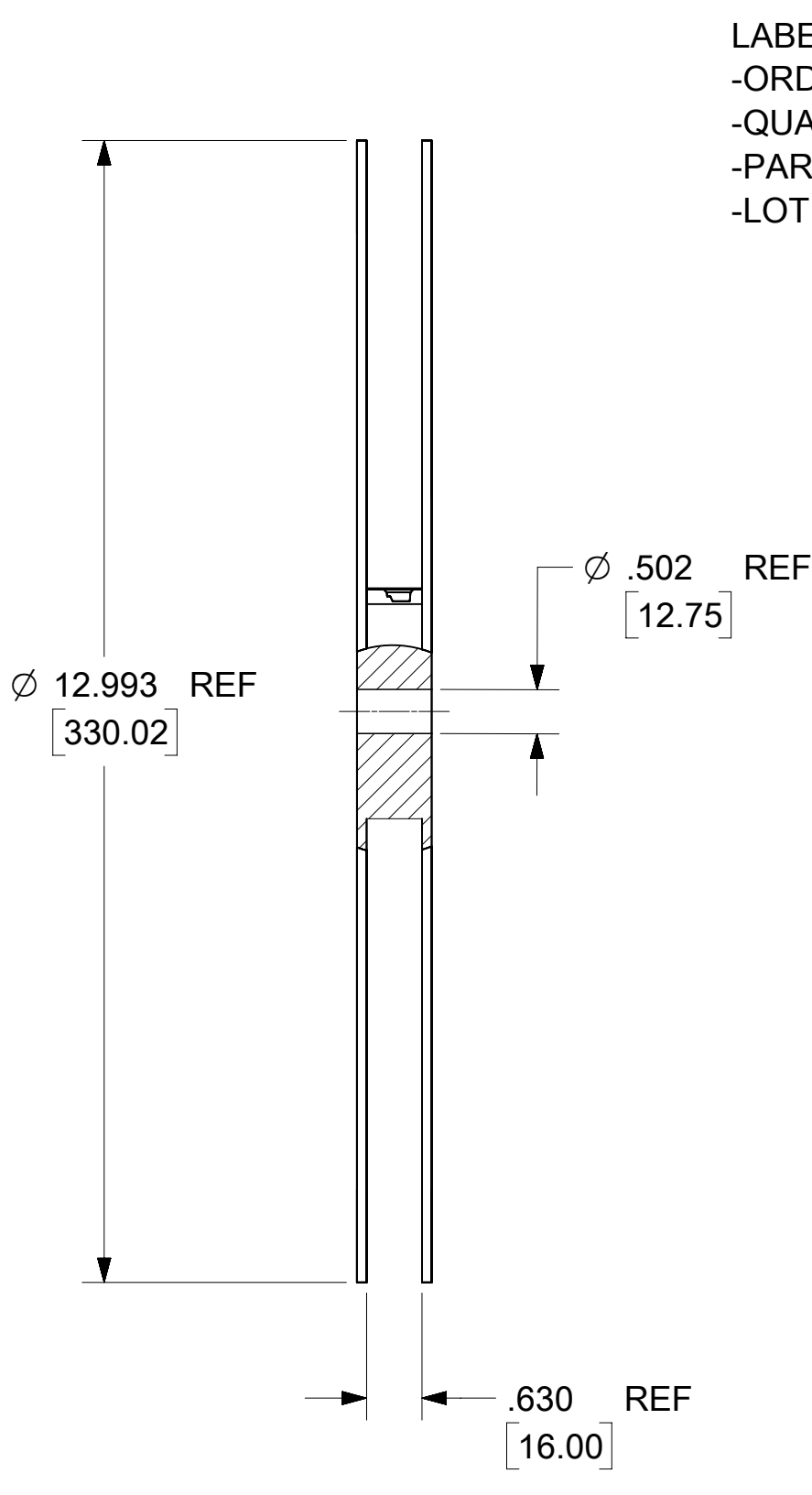


**VIEWS FOR P/N: 73300-0021 & -0022**

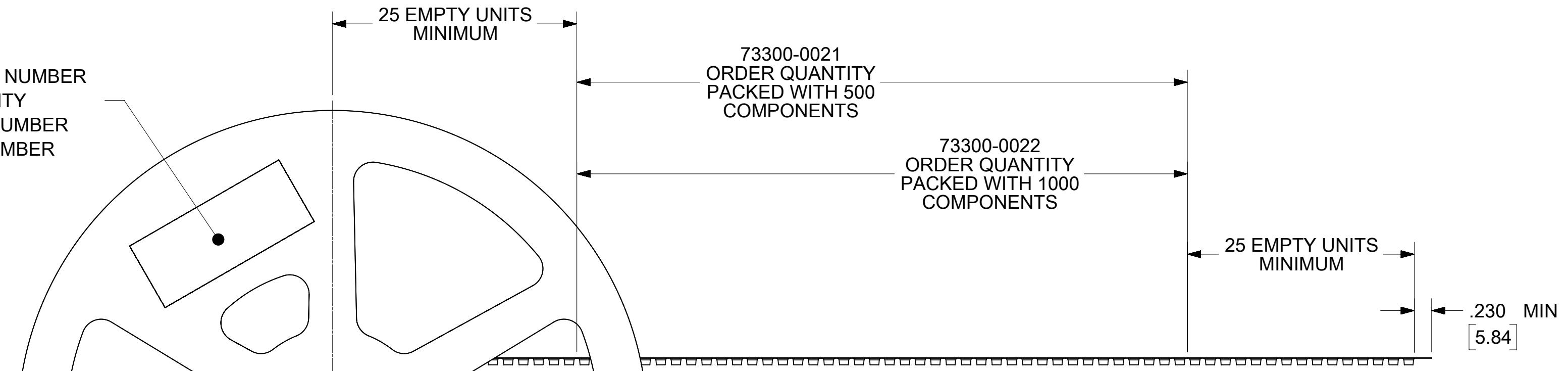
P/N: 73300-0020  
SMPM PLUG ASSEMBLY



QUALITY SYMBOLS		THIS DRAWING CONTAINS INFORMATION THAT IS PROPRIETARY TO MOLEX ELECTRONIC TECHNOLOGIES, LLC AND SHOULD NOT BE USED WITHOUT WRITTEN PERMISSION										
▽ = 0	MIGRATED	EC NO: 168078 DRWN: SH001 CHKD: SSSHAH REV / APPR: AROBERTSON	GENERAL TOLERANCES (UNLESS SPECIFIED)				DIMENSION UNITS		SCALE			
▽ = 0			MM		INCH		INCH		NTS			
▽ = 0			4 PLACES	±	±	DRWN BY		DATE		SMPM PLUG EDGE MOUNT 50 OHMS, FULL DETENT SMPM-P/PCB, EWR-11427		
▽ = 0			3 PLACES	±	±	JLEE		2007/09/20				
▽ = 0			2 PLACES	±	±	CHK'D BY		DATE				
▽ = 0			1 PLACES	±	±	SSS		2007/09/20				
▽ = 0	0 PLACES	±	±	APPR BY		DATE		PRODUCT CUSTOMER DRAWING				
☒ = 0			ANGULAR TOL = 2.0		DRAWING SIZE		THIRD ANGLE PROJECTION		SERIES	MATERIAL NUMBER	CUSTOMER	
■ = 0			DRAFT WHERE APPLICABLE MUST REMAIN WITHIN DIMENSIONS		C				73300	SEE TABLE		
▽ = 0									DOCUMENT NUMBER	DOC TYPE	DOC PART	SHEET NUMBER
									SD-73300-002	PSD	001	3 OF 5

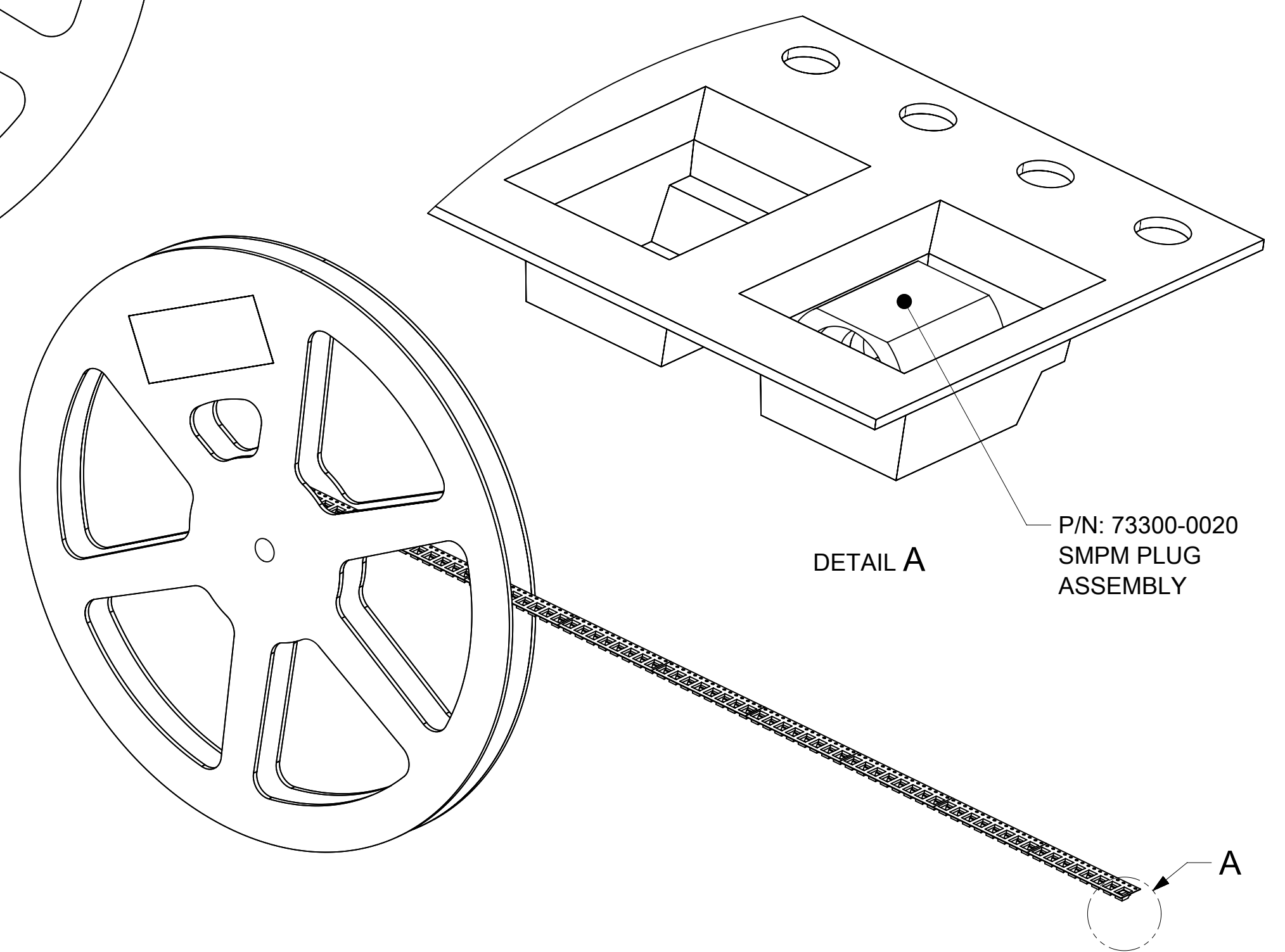


LABEL:  
-ORDER NUMBER  
-QUANTITY  
-PART NUMBER  
-LOT NUMBER



HANDLING DIRECTION →

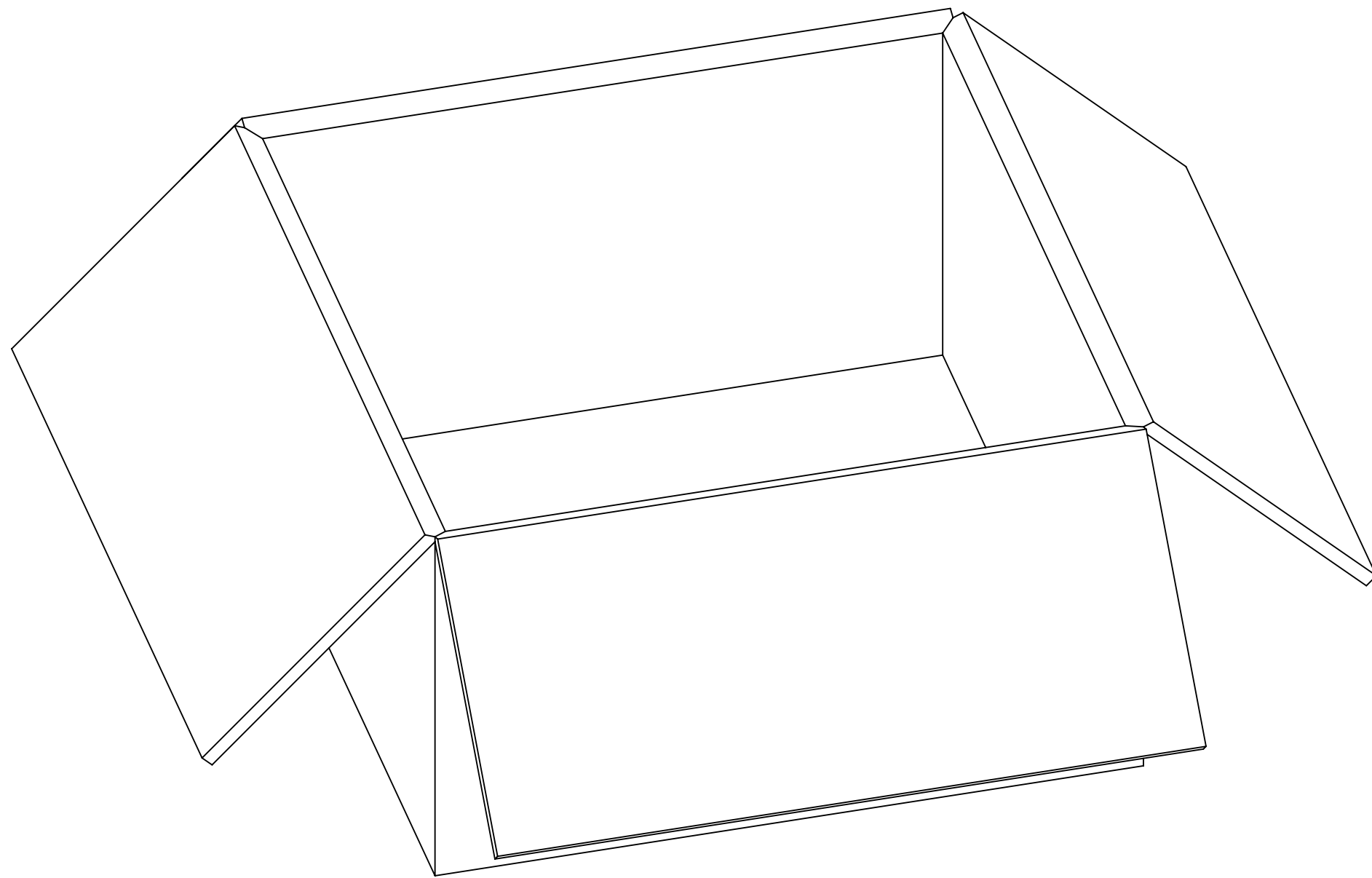
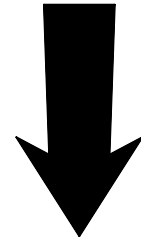
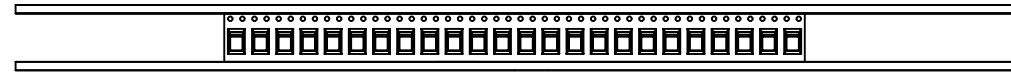
IEWS FOR P/N: 73300-0021 & -0022



THIS DRAWING CONTAINS INFORMATION THAT IS PROPRIETARY TO MOLEX ELECTRONIC TECHNOLOGIES, LLC AND SHOULD NOT BE USED WITHOUT WRITTEN PERMISSION									
QUALITY SYMBOLS	MIGRATED	EC NO: 168078 DRWN: SH001 CHKD: SSSHAH REV / APPR: AROBERTSON	GENERAL TOLERANCES (UNLESS SPECIFIED)		DIMENSION UNITS	SCALE			
			MM	INCH	INCH	NTS			
▽ = 0					DRWN BY	DATE	SMPM PLUG EDGE MOUNT 50 OHMS, FULL DETENT SMPM-P/PCB, EWR-11427		
▽ = 0					JLEE	2007/09/20			
▽ = 0					CHK'D BY	DATE	PRODUCT CUSTOMER DRAWING		
▽ = 0					SSS	2007/09/20			
▽ = 0					APPR BY	DATE	SERIES MATERIAL NUMBER CUSTOMER 73300 SEE TABLE		
▽ = 0					JWIENER	2007/09/20			
☒ = 0					ANGULAR TOL = 2.0		DOCUMENT NUMBER DOC TYPE DOC PART SHEET NUMBER SD-73300-002 PSD 001 4 OF 5		
■ = 0					DRAFT WHERE APPLICABLE MUST REMAIN WITHIN DIMENSIONS				
▽ = 0					DRAWING SIZE	THIRD ANGLE PROJECTION			
					C				

**P/N: 73300-0021**

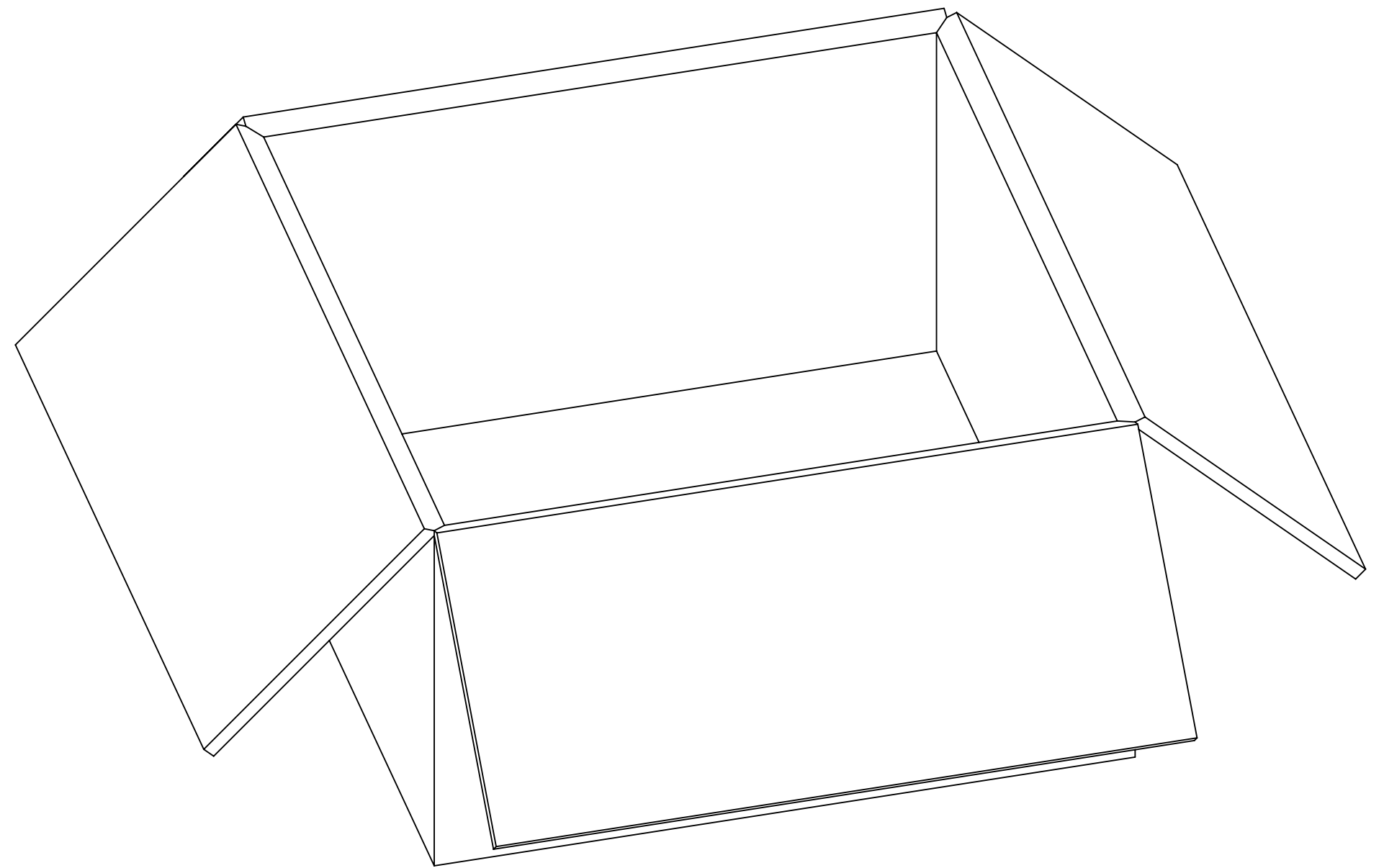
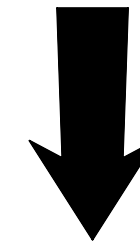
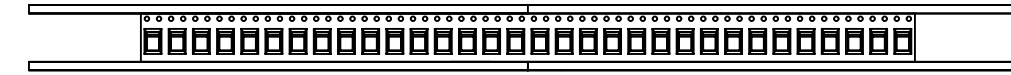
**500 X 73300-0020 PER REEL  
P/N: 89707-0234**



**1 REEL PER CARTON  
P/N: 89499-7021**

**P/N: 73300-0022**

**1000 X 73300-0020 PER REEL  
P/N: 89707-0234**



**7 REELS PER CARTON  
P/N: 89499-9031**

<b>QUALITY SYMBOLS</b> 	THIS DRAWING CONTAINS INFORMATION THAT IS PROPRIETARY TO MOLEX ELECTRONIC TECHNOLOGIES, LLC AND SHOULD NOT BE USED WITHOUT WRITTEN PERMISSION												
	EC NO: 168078 DRWN: SH001 CHKD: SSSHAH REV / APPR: AROBERTSON	2017/08/15 2017/11/27 2017/11/27	GENERAL TOLERANCES (UNLESS SPECIFIED)		DIMENSION UNITS	SCALE							
					INCH	NTS							
					MM	INCH	DRWN BY	DATE	SMPM PLUG EDGE MOUNT 50 OHMS, FULL DETENT SMPM-P/PCB, EWR-11427				
			4 PLACES	±	±	JLEE	2007/09/20						
			3 PLACES	±	±	CHK'D BY	DATE						
	2 PLACES	±	±	SSS	2007/09/20	PRODUCT CUSTOMER DRAWING							
	1 PLACES	±	±	APPR BY	DATE								
	0 PLACES	±	±	JWIENER	2007/09/20	SERIES	MATERIAL NUMBER	CUSTOMER	SD-73300-002    PSD    001    5 OF 5				
	ANGULAR TOL = 2.0		DRAWING SIZE	THIRD ANGLE PROJECTION	73300	SEE TABLE							
DRAFT WHERE APPLICABLE MUST REMAIN WITHIN DIMENSIONS		C											