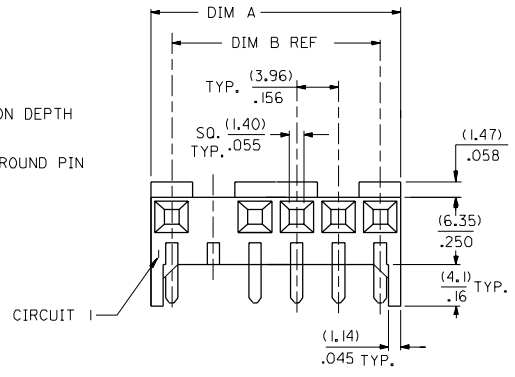
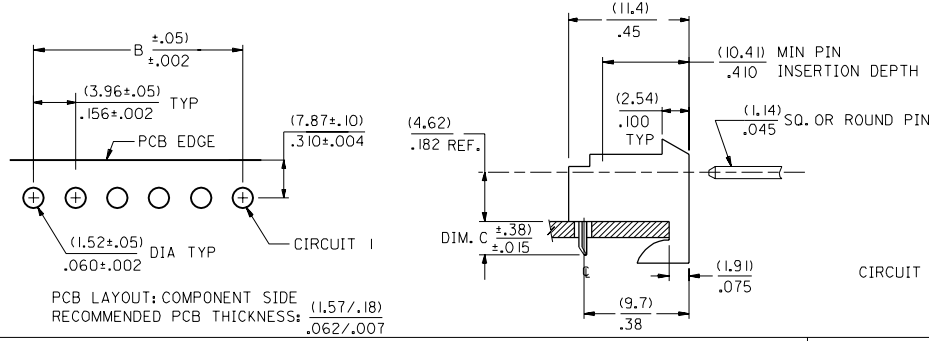
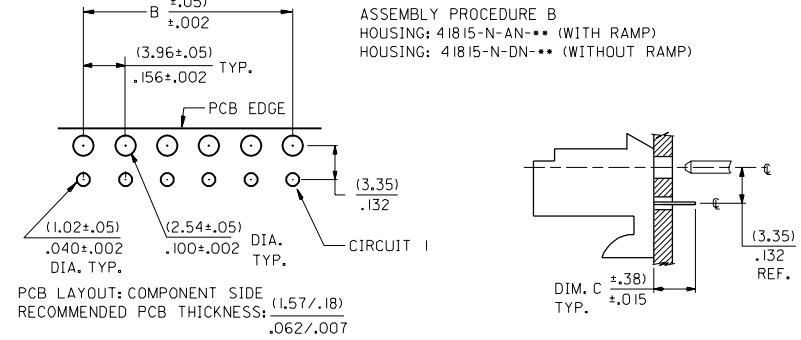


ASSEMBLY PROCEDURE A
HOUSING: 41815-N-AN-** (WITH RAMP)
HOUSING: 41815-N-DN-** (WITHOUT RAMP)



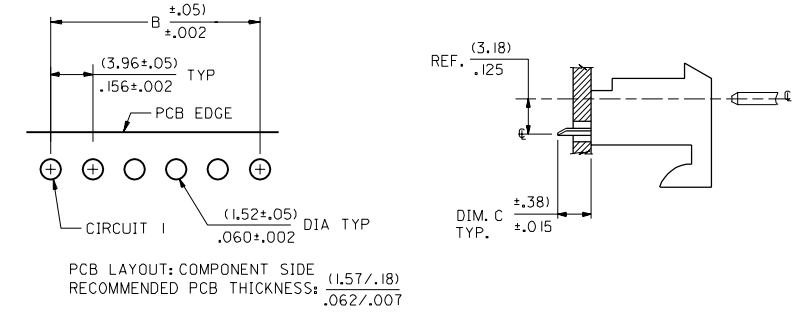
PCB LAYOUT: COMPONENT SIDE
RECOMMENDED PCB THICKNESS: (1.57/.18) .062/.007

ASSEMBLY PROCEDURE B
HOUSING: 41815-N-AN-** (WITH RAMP)
HOUSING: 41815-N-DN-** (WITHOUT RAMP)

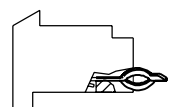


PCB LAYOUT: COMPONENT SIDE
RECOMMENDED PCB THICKNESS: (1.57/.18) .062/.007

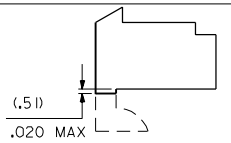
ASSEMBLY PROCEDURE C
HOUSING: 41815-N-AN-** (WITH RAMP)
HOUSING: 41815-N-DN-** (WITHOUT RAMP)



PCB LAYOUT: COMPONENT SIDE
RECOMMENDED PCB THICKNESS: (1.57/.18) .062/.007



KINKED TERMINAL OPTION
SEE NOTE 5
(SEE ASSY PROC. C FOR PCB LAYOUT)



HOOKS REMOVED OPTION

NOTES:

2. SOLDERABILITY: WHEN PARTS ARE SOLDERED AT A TEMPERATURE OF 230°C OR 446°F FOR 5 SECONDS EACH SOLDERED SURFACE SHALL BE A MINIMUM OF 95% COVERED WITH A SMOOTH CONTINUOUS ADHERENT COATING. FOR ADDITIONAL INFORMATION SEE ES-152.
3. MATERIAL: HOUSING: POLYESTER, 94V-0 COLOR NATURAL (WHITE)
5. SEE SMES-42329-*** FOR KINK PIN INFORMATION.
6. PRODUCT SPECIFICATION: PS-08-50
7. PARTS ARE STACKABLE END TO END ON (3.96)/.156 @
8. FOR TOP ENTRY AND RIGHT ANGLE ASSEMBLIES WITH LOWER INSERTION FORCE USE SINGLE BEAM CONTACT. (TERMINAL NO. 4244)

DIM. B	DIM. A	NO. OF CKTS
(3.96)	(7.82±.25)	2
.156	.308±.010	2
(7.92)	(11.79±.25)	3
.312	.464±.010	3
(11.89)	(15.75±.25)	4
.468	.620±.010	4
(15.85)	(19.71±.25)	5
.624	.776±.010	5
(19.81)	(23.67±.25)	6
.780	.932±.010	6
(23.77)	(27.64±.30)	7
.936	1.088±.012	7
(27.74)	(31.60±.25)	8
1.092	1.244±.012	8
(31.70)	(35.56±.30)	9
1.248	1.400±.012	9
(35.66)	(39.52±.30)	10
1.404	1.556±.012	10
(39.62)	(43.48±.30)	11
1.560	1.712±.012	11
(43.59)	(47.45±.30)	12
1.716	1.868±.012	12
(47.55)	(51.41±.30)	13
1.872	2.024±.012	13
(51.51)	(55.37±.36)	14
2.028	2.180±.014	14
(55.47)	(59.33±.36)	15
2.184	2.336±.014	15

REL 0551 UCR2000-0200		DIMENSIONS SHOWN METRIC () INCH UNLESS OTHERWISE SPECIFIED TOLERANCES: ANGULAR 1°		▽ = 0 ▼ = 0 REVISE ONLY ON CAD SYSTEM	
AH1	9-13-99 SAMIEC	INCH METRIC		TITLE (3.96)/.156@ PC BOARD CONNECTOR ASSEMBLY 41815 SERIES DWG.	
AH	RENO. FOR SAP UCR 1999-0602 99-12-15 SAMIEC	3 PLACE ±	±	MOLEX INCORPORATED SHEET NO. DATE 1 OF 7 01/28/87	
AG1	REL -NC102-0028 UCR 1998-0103 98-3-24 SAMIEC	2 PLACE ±	±	PART NO. DRWG. NO. SEE CHARTS SDA-41815	
LTR. REVISIONS		LTR. REVISIONS		FILE NAME THIS DRAWING CONTAINS INFORMATION THAT IS PROPRIETARY TO MOLEX INC. AND SHOULD NOT BE USED WITHOUT WRITTEN PERMISSION.	
APP'D: LENZ		SCALE :		DIV. C SIZE C	

41815

7	AH1
6	AH
5	AH
4	AH
3	AH
2	AH
1	AH1

MFG. SH. REV.

	13	12	11	10	9	8	7	6	41815	4	3	2	1			
J	ENG. NO.	HOUSING NO.	HOUSING TYPE	TERMINAL NO.	TERM. MAT'L	ASSEMBLY PROCEDURE	DIM. C	VOID LOC.	PACKING	KINKED TERMINAL	HOOKS REMOVED					
	A-41815-0212/0225	41815-N-AN	WITH RAMPS	2144-BA-A1AA122B	PHOS BRONZE	A: SIDE ENTRY	(3.68) / .145	NONE	BULK	NO	NO					
	A-41815-0226/0240	41815-N-AN	WITH RAMPS	2188-1(587)	BRASS	B: BOTTOM ENTRY	(3.18) / .125	2,4	BULK	NO	NO					
	A-41815-0242/0254	41815-N-AN	WITH RAMPS	2188-1(587)	BRASS	B: BOTTOM ENTRY	(3.18) / .125	3	BULK	NO	NO					
	A-41815-0255/0270	41815-N-AN	WITH RAMPS	2144-BA-A1AA122B	PHOS BRONZE	C: TOP ENTRY	(3.05) / .120	NONE	BULK	NO	NO					
I	A-41815-0271/0284	41815-N-AN	WITH RAMPS	6298-1(22)	PHOS BRONZE	B: BOTTOM ENTRY	(4.06) / .160	NONE	BULK	NO	NO					
	A-41815-0299/0312	41815-N-AN	WITH RAMPS	2144-AA-A2AA102B	BRASS	C: TOP ENTRY	(4.80) / .189	NONE	BULK	NO	YES					
	A-41815-0313/0326	41815-N-AN	WITH RAMPS	2144-AA-A1AA-563B	BRASS	A: SIDE ENTRY	(3.68) / .145	NONE	BULK	NO	NO					
H	A-41815-0212/0225			A-41815-0226/0240			A-41815-0242/0254			A-41815-0255/0270						
	PART NO.	ENG. NO.	CKT	PART NO.	ENG. NO.	CKT	PART NO.	ENG. NO.	CKT	PART NO.	ENG. NO.	CKT				
		A-41815-0212	2		A-41815-0226	2			2	09-48-4024	A-41815-0255	2				
		A-41815-0213	3		A-41815-0227	3	S 09-48-5032	A-41815-0242	3	09-48-4034	A-41815-0256	3				
		A-41815-0214	4		A-41815-0228	4		A-41815-0243	4	09-48-4044	A-41815-0257	4				
G		A-41815-0215	5	S 09-48-5051	A-41815-0229	5		A-41815-0244	5	09-48-4054	A-41815-0258	5				
		A-41815-0216	6		A-41815-0230	6		A-41815-0245	6	09-48-4064	A-41815-0259	6				
		A-41815-0217	7		A-41815-0231	7		A-41815-0246	7	09-48-4074	A-41815-0260	7				
		A-41815-0218	8		A-41815-0232	8		A-41815-0247	8	09-48-4084	A-41815-0261	8				
	09-48-4097	A-41815-0219	9		A-41815-0233	9		A-41815-0248	9	09-48-4094	A-41815-0262	9				
		A-41815-0220	10		A-41815-0234	10		A-41815-0249	10	09-48-4104	A-41815-0263	10				
F		A-41815-0221	11		A-41815-0235	11		A-41815-0250	11	09-48-4114	A-41815-0265	11				
		A-41815-0222	12		A-41815-0236	12		A-41815-0251	12	09-48-4124	A-41815-0266	12				
		A-41815-0223	13		A-41815-0237	13		A-41815-0252	13	09-48-4134	A-41815-0267	13				
		A-41815-0224	14		A-41815-0239	14		A-41815-0253	14	09-48-4144	A-41815-0269	14				
		A-41815-0225	15		A-41815-0240	15		A-41815-0254	15	09-48-4154	A-41815-0270	15				
	WAS	A-41815-NA122-0011		WAS	A-41815-NB587-0012		WAS	A-41815-NB587-0013		WAS	A-41815-NC122-0011					
E	A-41815-0271/0284						A-41815-0299/0312			A-41815-0313/0326						
	PART NO.	ENG. NO.	CKT	PART NO.	ENG. NO.	CKT	PART NO.	ENG. NO.	CKT	PART NO.	ENG. NO.	CKT				
		A-41815-0271	2				09-48-4026	A-41815-0299	2	09-48-5023	A-41815-0313	2				
		A-41815-0272	3				09-48-4036	A-41815-0300	3	09-48-5033	A-41815-0314	3				
D		A-41815-0273	4				09-48-4046	A-41815-0301	4	09-48-5043	A-41815-0315	4				
		A-41815-0274	5				09-48-4056	A-41815-0302	5	09-48-5053	A-41815-0316	5				
		A-41815-0275	6				09-48-4066	A-41815-0303	6	09-48-5063	A-41815-0317	6				
		A-41815-0276	7				09-48-4076	A-41815-0304	7	09-48-5073	A-41815-0318	7				
	09-48-4083	A-41815-0277	8				09-48-4086	A-41815-0305	8	09-48-5083	A-41815-0319	8				
		A-41815-0278	9				09-48-4096	A-41815-0306	9	09-48-5093	A-41815-0320	9				
C		A-41815-0279	10				09-48-4106	A-41815-0307	10	09-48-5103	A-41815-0321	10				
	09-48-4113	A-41815-0280	11				09-48-4116	A-41815-0308	11	09-48-5113	A-41815-0322	11				
		A-41815-0281	12				09-48-4126	A-41815-0309	12	09-48-5123	A-41815-0323	12				
	09-48-4133	A-41815-0282	13				09-48-4136	A-41815-0310	13	09-48-5133	A-41815-0324	13				
		A-41815-0283	14				09-48-4146	A-41815-0311	14	09-48-5143	A-41815-0325	14				
		A-41815-0284	15				09-48-4156	A-41815-0312	15	09-48-5153	A-41815-0326	15				
B	WAS	A-41815-NB122-0008					WAS	A-41815-NC102-0015		WAS:	A-41815-NA563-0001					
A							SEE SHEET I	SEE SHEET I	DIMENSIONS SHOWN METRIC INCH UNLESS OTHERWISE SPECIFIED TOLERANCES ANGLES & FITS						REVISIONS	
							SEE SHEET I	SEE SHEET I	INCH METRIC							
							SEE SHEET I	SEE SHEET I	3 PLACE ±							
							SEE SHEET I	SEE SHEET I	2 PLACE ±							
							SEE SHEET I	SEE SHEET I	1 PLACE ±							
							SEE SHEET I	SEE SHEET I	DRAFT WHERE APPLICABLE MUST REMAIN WITHIN DIMENSIONS							
							SEE SHEET I	AH	SEE SHEET I	DRG. NO. 41815						
							SEE SHEET I	AG	SEE SHEET I	BY: SAMIEC PATL						
							LTR.	REVISIONS	LTR.	REVISIONS	MOLEX INCORPORATED LITTLE ROCK, AR 72616 U.S.A.					
											PART NO. SDA-41815					
											FILE NAME: SEE CHART					
											SHEET NO. 4 DATE 01/29/87					
											SCALE: THIS DRAWING CONTAINS INFORMATION THAT IS PROPRIETARY TO MOLEX INC. AND SHOULD NOT BE USED WITHOUT WRITTEN PERMISSION					