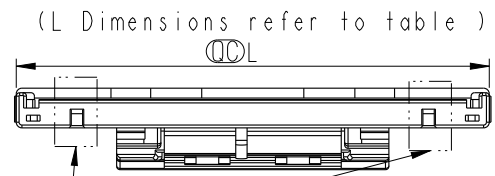
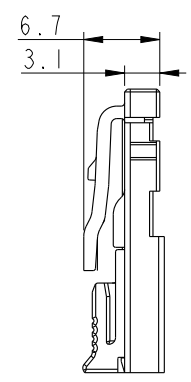
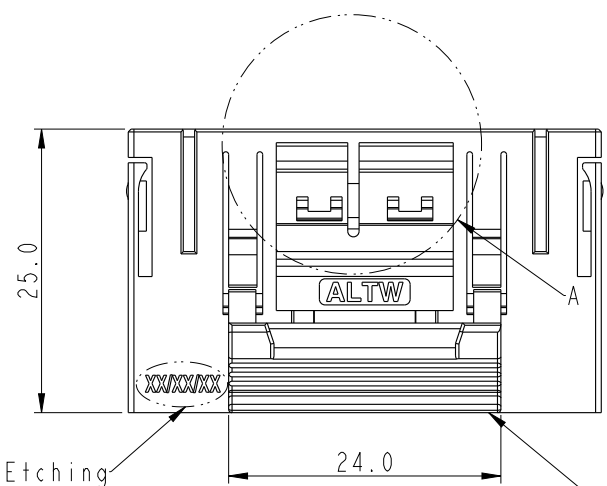
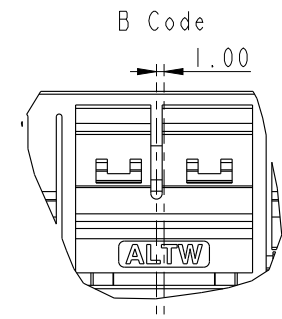


THIS DOCUMENT IS SUBJECT TO CHANGE WITHOUT NOTICE. IT IS CONFIDENTIAL AND A PROPERTY OF AMPHENOL LTW. DISCLOSURE TO THIRD PARTY HAS TO BE AUTHORIZED BY AMPHENOL LTW.

REV.	ECN NO.	DATE	SIGN	DESCRIPTION
A		2023/01/10	Xiaofeng	New Initial.



The prevention tilt insert structure is only available for 36 to 40 pin



Laser Etching Corresponding Pin Number

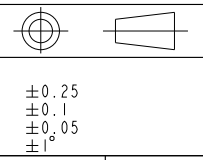
The secondary lock

Z2B1-XX NMAN-BN0001

XX: Number Of Contacts (Pitch)  
 AA: 40(P0.9)/20(P1.8)  
 AB: 38(P0.9)/19(P1.8)  
 AC: 36(P0.9)/18(P1.8)/12(P2.7)

UNIT: mm

TOLERANCE	
.X	±0.25
.XX	±0.1
.XXX	±0.05
ANGLES	±1°



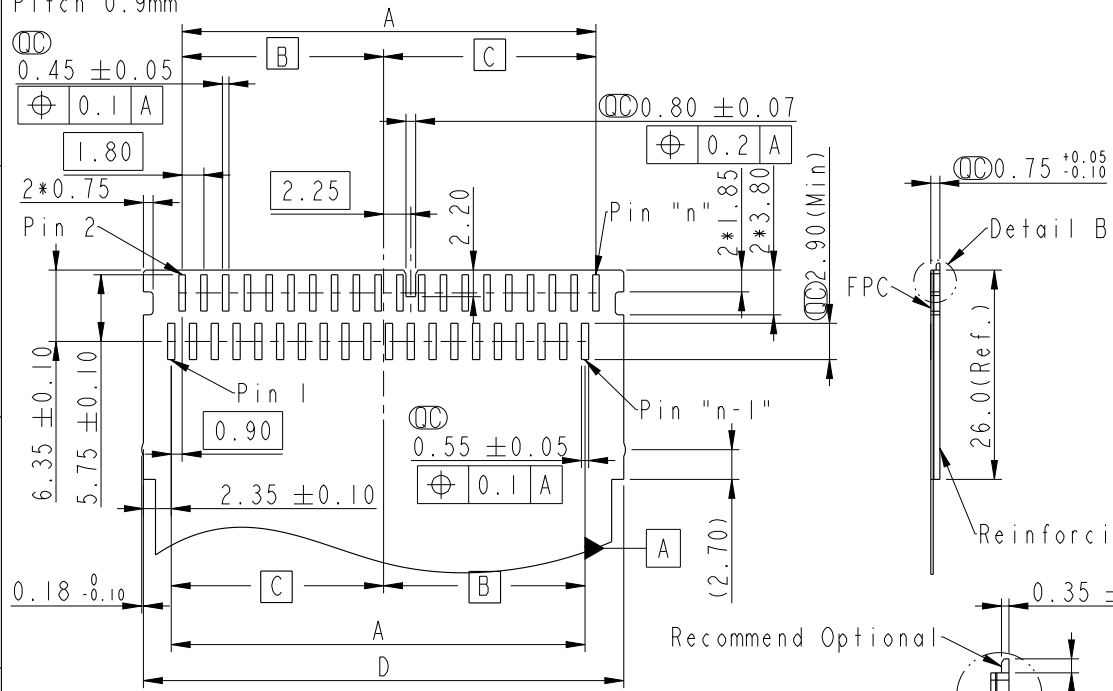
TITLE Z CONN., N SHLD, M			
SCALE 1:1	SIZE A4	SHEET 1 OF 5	
REV. A	WC-REV. .0	QC: Inspection item	

**Amphenol LTW**  
 安費諾亮泰企業股份有限公司

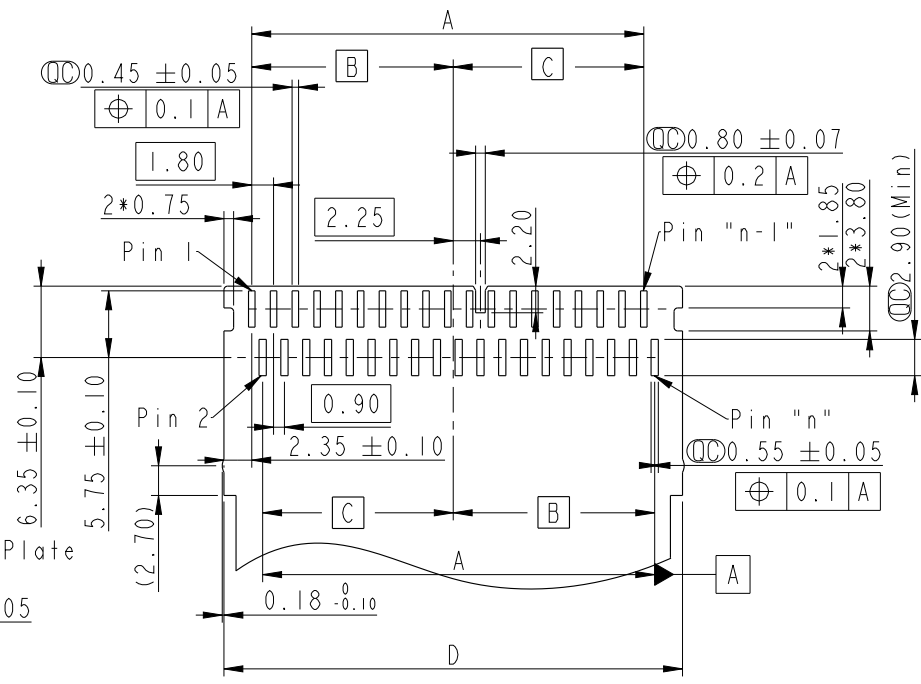
ITEM NO	DRAWN BY Xiaofeng	DATE 2023/01/10
DWG NO Z2B1-XXNMAN-BN0001	CHECKED BY Jerry	DATE 2023/01/10
CUSTOMER ALTW	APPROVED BY Max	DATE 2023/01/10

THIS DOCUMENT IS SUBJECT TO CHANGE WITHOUT NOTICE. IT IS CONFIDENTIAL AND A PROPERTY OF AMPHENOL LTW. DISCLOSURE TO THIRD PARTY HAS TO BE AUTHORIZED BY AMPHENOL LTW.

Flexible Printed Circuit  
Pitch 0.9mm



RECOMMENDED FPC LAYOUT



RECOMMENDED FPC LAYOUT

PIN	L (mm)	A (mm)	B (mm)	C (mm)	D (mm)
36	38.1	30.6	14.85	15.75	36.2
40	41.7	34.2	16.65	17.55	39.8

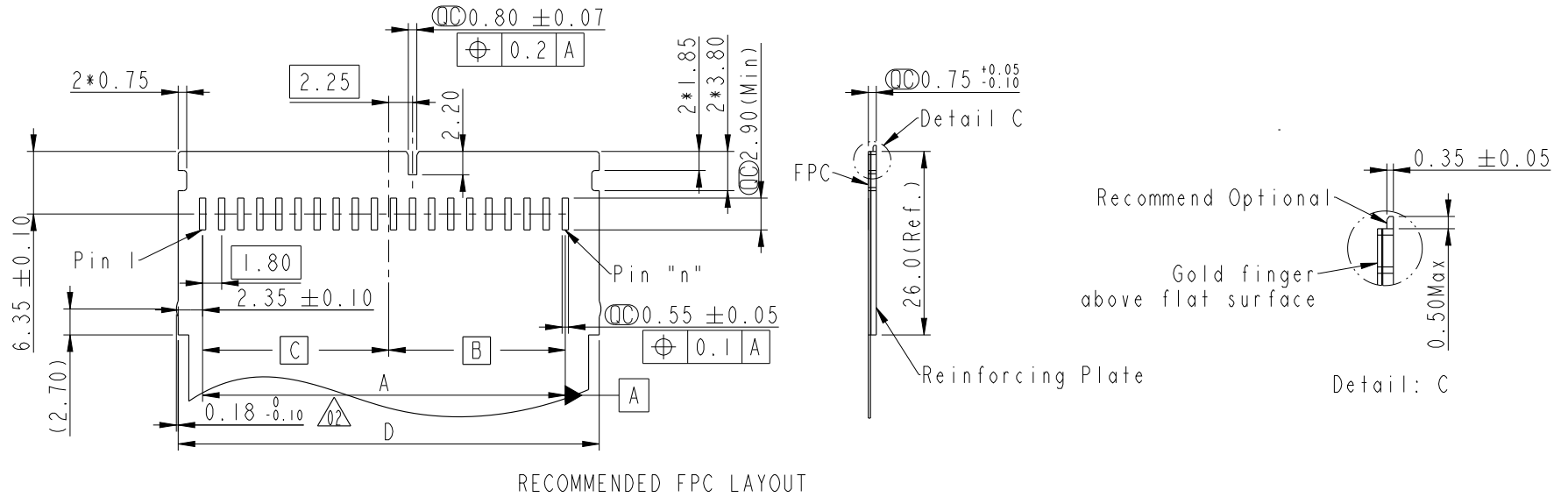
PIN	L (mm)	A (mm)	B (mm)	C (mm)	D (mm)
38	39.9	32.4	16.65	15.75	38

UNIT: mm		TITLE Z CONN., N SHLD, M			
TOLERANCE .X ±0.25 .XX ±0.1 .XXX ±0.05 ANGLES ±1°	SCALE 1:1	SIZE A4	SHEET 2 OF 5	REV. A	
		WC-REV. .0	◎: Inspection item		

**Amphenol LTW**  
安費諾亮泰企業股份有限公司

ITEM NO	DRAWN BY Xiaofeng	DATE 2023/01/10
DWG NO Z2B1-XXNMAN-BN0001	CHECKED BY Jerry	DATE 2023/01/10
CUSTOMER ALTW	APPROVED BY Max	DATE 2023/01/10

Flexible Printed Circuit  
Pitch 1.8mm



PIN	L (mm)	A (mm)	B (mm)	C (mm)	D (mm)
18	38.1	30.6	14.85	15.75	36.2
19	39.9	32.4	16.65	15.75	38.0
20	41.7	34.2	16.65	17.55	39.8

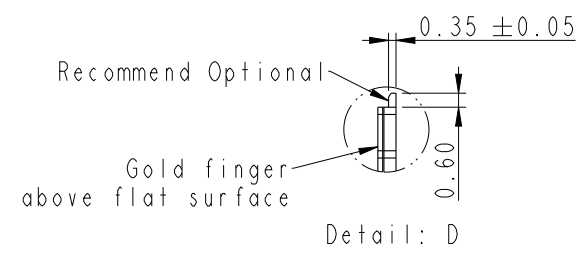
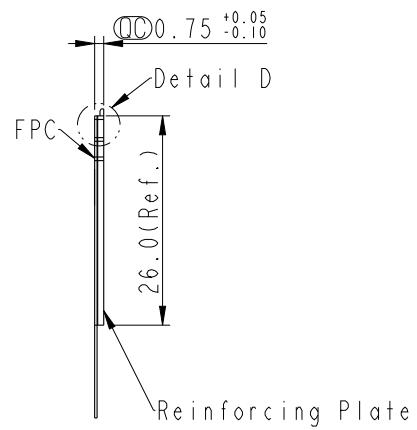
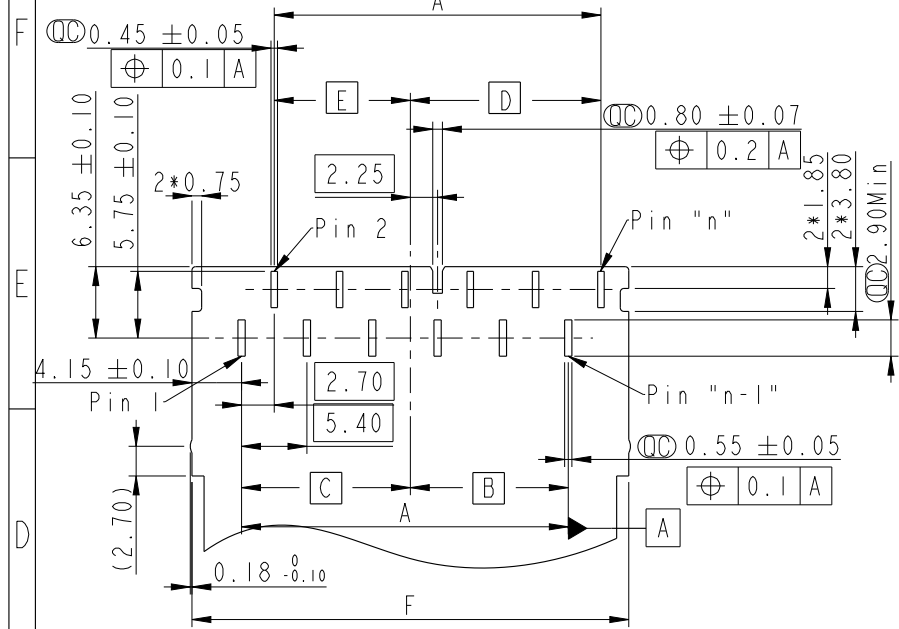
UNIT: mm  TOLERANCE .X ±0.25 .XX ±0.1 .XXX ±0.05 ANGLES ±1°	TITLE Z CONN., N SHLD, M		<b>Amphenol LTW</b> 安費諾亮泰企業股份有限公司		ITEM NO	DRAWN BY Xiaofeng	DATE 2023/01/10
	SCALE 1:1	SIZE A4			SHEET 3 OF 5	DWG NO Z2B1-XXNMAN-BN0001	CHECKED BY Jerry
	REV. A	WC-REV. .0	Inspection item	CUSTOMER ALTW	APPROVED BY Max	DATE 2023/01/10	

THIS DOCUMENT IS SUBJECT TO CHANGE WITHOUT NOTICE. IT IS CONFIDENTIAL AND A PROPERTY OF Amphenol LTW. DISCLOSURE TO THIRD PARTY HAS TO BE AUTHORIZED BY Amphenol LTW.

THIS DOCUMENT IS SUBJECT TO CHANGE WITHOUT NOTICE. IT IS CONFIDENTIAL AND A PROPERTY OF Amphenol LTW. DISCLOSURE TO THIRD PARTY HAS TO BE AUTHORIZED BY Amphenol LTW.

2                      3                      4                      5                      6                      7                      8

Flexible Printed Circuit  
Pitch 2.7mm

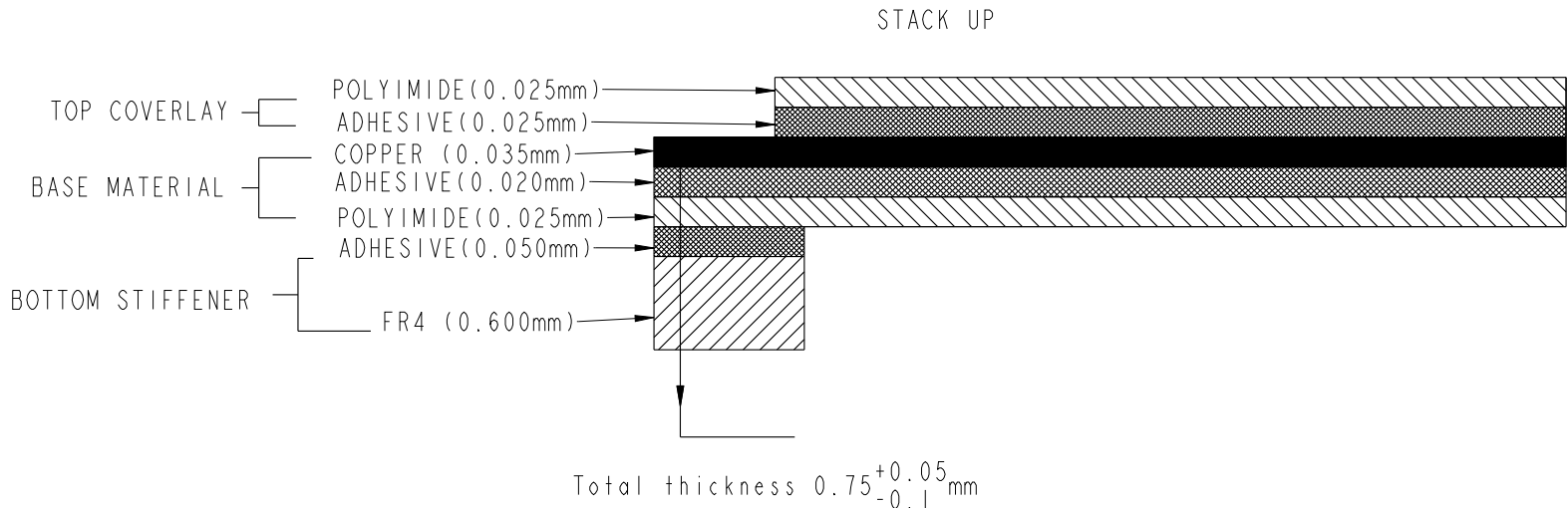


RECOMMENDED FPC LAYOUT

PIN	L(mm)	F(mm)	A(mm)	B(mm)	C(mm)	D(mm)	E(mm)
12	38.1	36.2	27.0	13.05	13.95	15.75	11.25

A	UNIT: mm		TITLE Z CONN., N SHLD, M			Amphenol LTW		ITEM NO	DRAWN BY	DATE
	TOLERANCE		SCALE	SIZE	SHEET	安費諾亮泰企業股份有限公司	DWG NO	CHECKED BY	DATE	
	.X $\pm 0.25$ .XX $\pm 0.1$ .XXX $\pm 0.05$ ANGLES $\pm 1^\circ$		1:1	A4	4 OF 5		Z2B1-XXNMAN-BN0001	Jerry	2023/01/10	
			REV.	WC-REV.	$\varnothing$ : Inspection item	CUSTOMER	APPROVED BY	DATE		
			A	.0		ALTW	Max	2023/01/10		

2                      3                      4                      5                      6                      7                      8



Note:  
 \*  $\text{CC}$  Important Dimensions To Check.  
 \* Material: Thermoplastic, Black.  
 \* All Parts Are RoHS Compliant.

UNIT: mm		TITLE Z CONN., N SHLD, M			ITEM NO		DRAWN BY Xiaofeng		DATE 2023/01/10	
		SCALE 1:1    SIZE A4    SHEET 5 OF 5			DWG NO Z2B1-XXNMAN-BN0001		CHECKED BY Jerry		DATE 2023/01/10	
		REV. A    WC-REV. .0 $\text{CC}$ : Inspection item			CUSTOMER ALTW		APPROVED BY Max		DATE 2023/01/10	
<b>Amphenol LTW</b> 安費諾亮泰企業股份有限公司		W10814-03-2001A2								